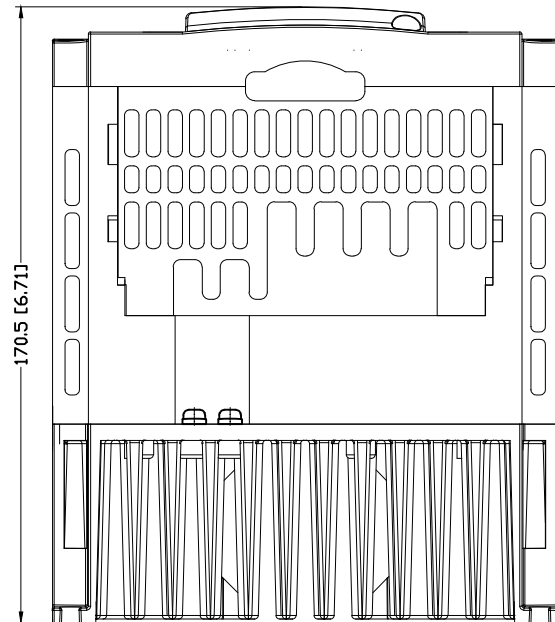
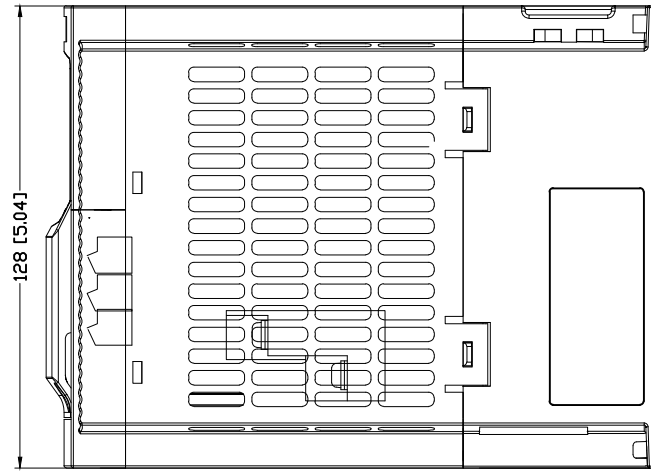
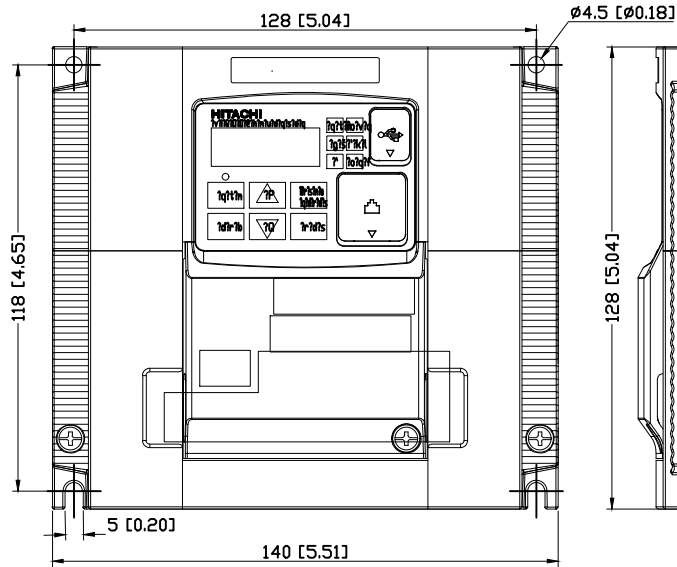


INVERTER MODEL LIST	
ITEM NO.	MODEL NUMBER
1	WJ200-037LF
2	WJ200-040HF
3	
4	



PROPRIETARY AND CONFIDENTIAL

THE INFORMATION CONTAINED IN THIS DRAWING IS THE SOLE PROPERTY OF HIESA. ANY REPRODUCTION IN PART OR AS A WHOLE WITHOUT THE WRITTEN PERMISSION OF HIESA IS PROHIBITED.

UNLESS OTHERWISE SPECIFIED DIMENSIONS ARE IN MM/INCHES GENERAL TOLERANCES ACCORDING TO ISO 2768-MH-E	DRAWN	NAME	DATE	HITACHI INDUSTRIAL EQUIPMENT & SOLUTIONS AMERICA LLC TITLE: WJ200-037LF WJ200-040HF
	UPDATED	DBM	23JAN19	
	ENG APPR.	MIG	16AUG21	
	MFG APPR.			
INTERPRET GEOMETRIC TOLERANCING PER:	Q.A.			SIZE DWG. NO.
MATERIAL	COMMENTS:			
FINISH				SCALE:
				WEIGHT:
				SHEET 1 OF 1