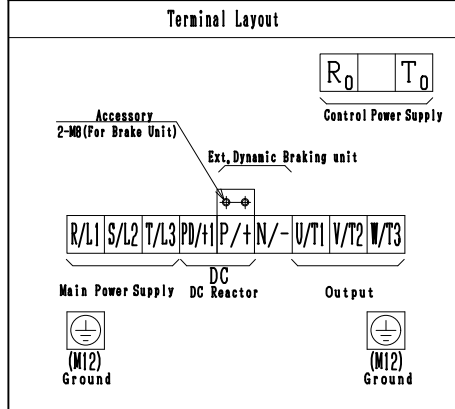
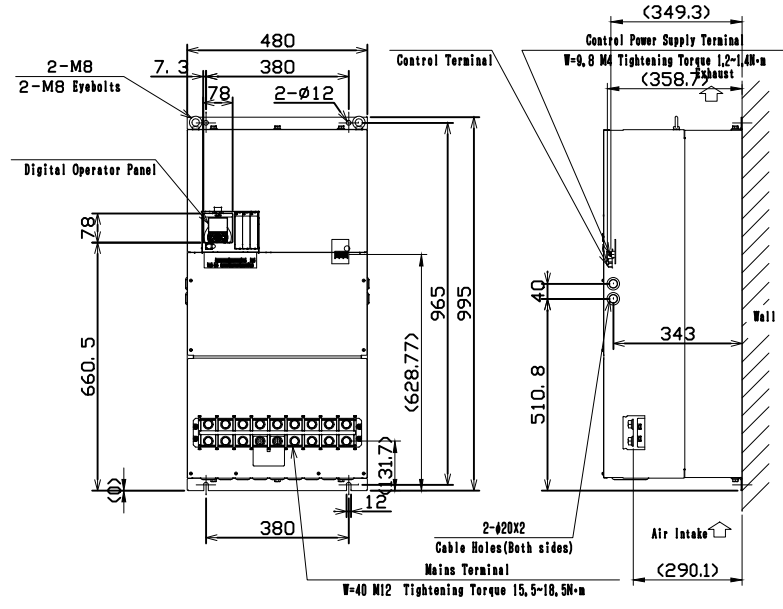


# INVERTER MODEL LIST

ITEM NO.	MODEL NUMBER
1	P1-03720-HF

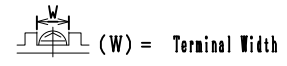
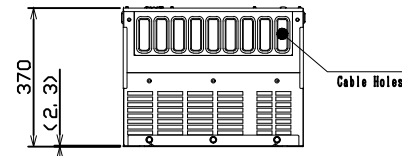
## INVERTER

Model	Input			Mass (kg)
	Voltage (V)	Frequency (Hz)	Number of phases	
P1-03720-HFF (P1-1600HFF)	380~500	50/60	3	95
Output	Capacity (kVA)	Voltage (V)	Current (A)	Frequency range (Hz)
	VLD 244.8/322.1 (380V/500V)		372	
	LD 224.4/295.3 (380V/500V)		341	
	ND 204.0/268.4 (380V/500V)		310	
		380~500		0.00~60.00 (0.00~590.00Hz Customizable)



PROPRIETARY AND CONFIDENTIAL

THE INFORMATION CONTAINED IN THIS DRAWING IS THE SOLE PROPERTY OF HIESA. ANY REPRODUCTION IN PART OR AS A WHOLE WITHOUT THE WRITTEN PERMISSION OF HIESA IS PROHIBITED.



USE				DIMENSION in mm		PROJECTION	
NOTICE				ENCLASURE		DRAWING NO.	
This product does not conform to functional safety standards.				1P20P/IL open type		SPECIFICATION SHEET	
				ATTACHED		NOT ATTACHED	

M. Saito	Dec-29-2010
M. Hirota	Dec-27-2010
Y. Uchino	Dec-27-2010

DIMENSION

6
3T854856

UNLESS OTHERWISE SPECIFIED: DIMENSIONS ARE IN MM/INCHES GENERAL TOLERANCES ACCORDING TO ISO 2768-MH-E	UPDATED	NAME	DATE	HITACHI INDUSTRIAL EQUIPMENT & SOLUTIONS AMERICA LLC TITLE:  P1-03720-HF
	ENG APPR.	MIG	11AUG21	
	MFG APPR.			
	Q.A.			
INTERPRET GEOMETRIC TOLERANCING PER:	COMMENTS:			SIZE DWG. NO.
MATERIAL				
FINISH				REV A
SCALE:		WEIGHT:		SHEET 1 OF 1