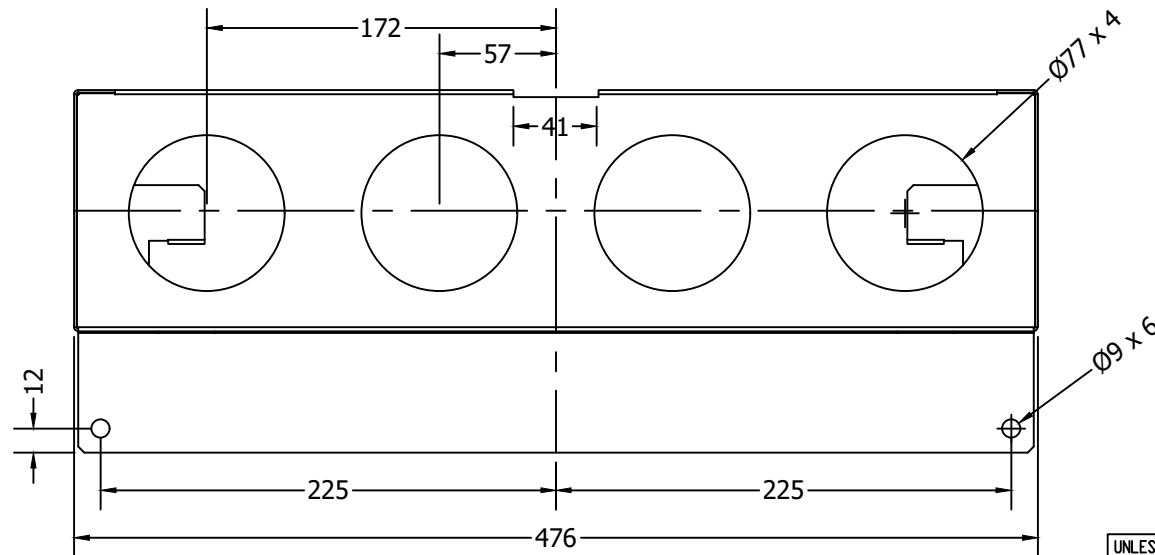
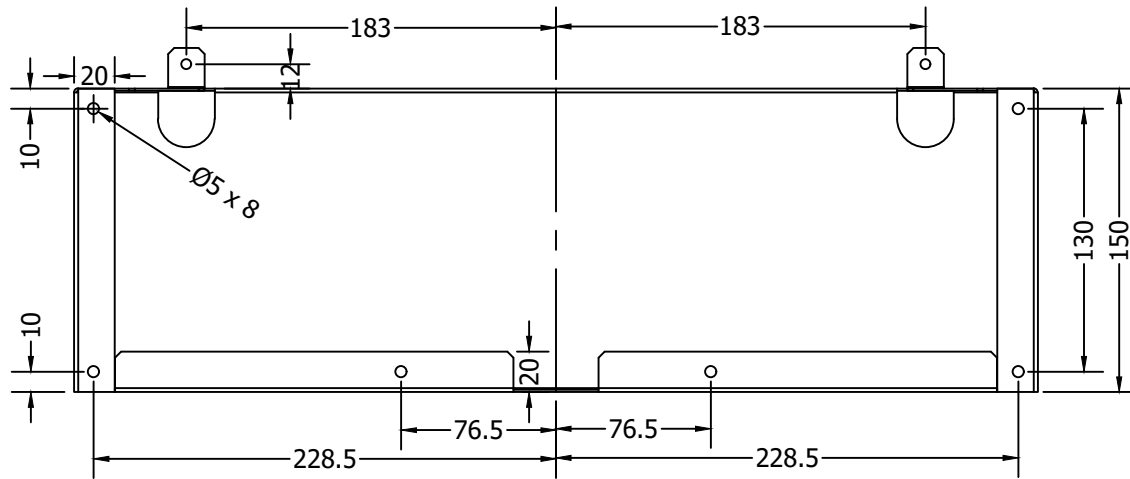


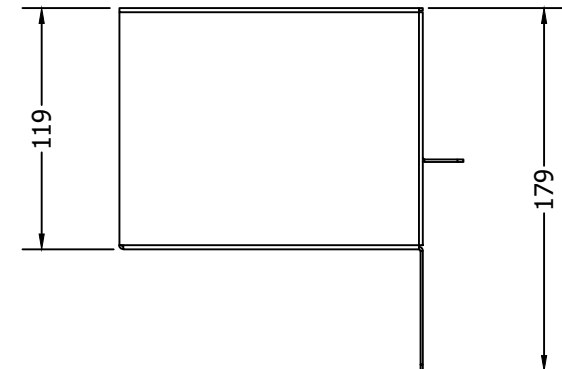
INVERTER MODEL LIST

ITEM NO.	MODEL NUMBER
1	TM-NC-1
2	



PROPRIETARY AND CONFIDENTIAL

THE INFORMATION CONTAINED IN THIS DRAWING IS THE SOLE PROPERTY OF HIESA. ANY REPRODUCTION IN PART OR AS A WHOLE WITHOUT THE WRITTEN PERMISSION OF HIESA IS PROHIBITED.



UNLESS OTHERWISE SPECIFIED DIMENSIONS ARE IN MM/INCHES		NAME	DATE	HITACHI INDUSTRIAL EQUIPMENT & SOLUTIONS AMERICA LLC		
GENERAL TOLERANCES ACCORDING TO ISO 2768-MF-E		DRAWN	DBM			23 JAN19
		UPDATED	MIG	18 JAN22		
		ENG APPR.				
		MFG APPR.				
INTERPRET GEOMETRIC TOLERANCING PER:		Q.A.			TITLE: TM-NC-1 PART 1 OF 2 P1-CB-H	
		COMMENTS:				
MATERIAL					SIZE DWG. NO.	REV
FINISH						A
		SCALE:		WEIGHT:	SHEET 1 OF 1	