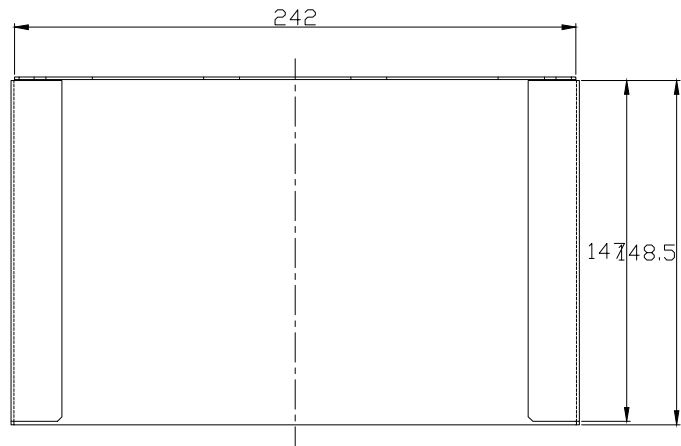
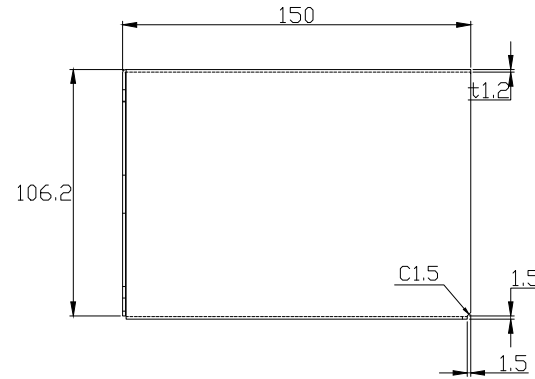
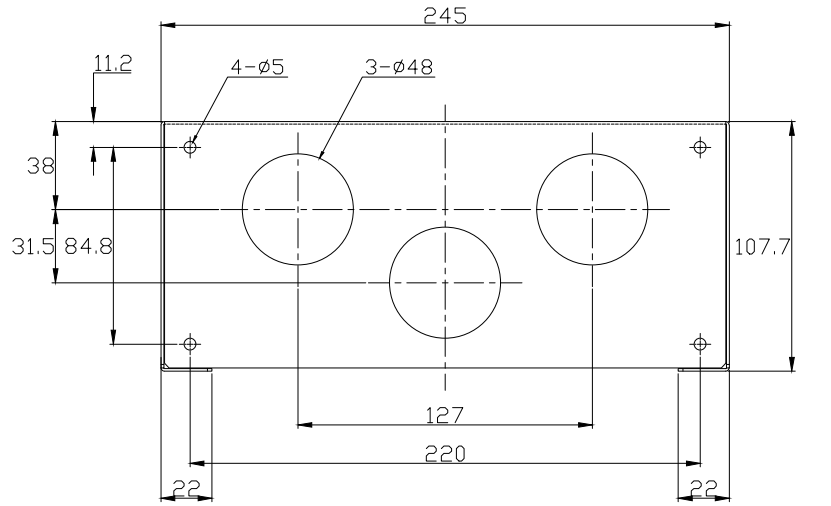


INVERTER MODEL LIST	
ITEM NO.	MODEL NUMBER
1	3T603058
2	



PROPRIETARY AND CONFIDENTIAL

THE INFORMATION CONTAINED IN THIS DRAWING IS THE SOLE PROPERTY OF HIESA. ANY REPRODUCTION IN PART OR AS A WHOLE WITHOUT THE WRITTEN PERMISSION OF HIESA IS PROHIBITED.

UNLESS OTHERWISE SPECIFIED				HITACHI INDUSTRIAL EQUIPMENT & SOLUTIONS AMERICA LLC	
DIMENSIONS ARE IN MM/INCHES				DRAWN	DBM 23 JAN 19
GENERAL TOLERANCES ACCORDING TO ISO 2768-MH-E				UPDATED	MIG 17 JAN 21
INTERPRET GEOMETRIC TOLERANCING PER:				ENG APPR.	
				MFG APPR.	
MATERIAL				Q.A.	
FINISH				COMMENTS:	
				SIZE	DWG. NO.
				SCALE:	WEIGHT:
				SHEET 1 OF 1	
				REV A	
				TITLE: 3T603058 PART 2 OF 2 P1-CB-C	