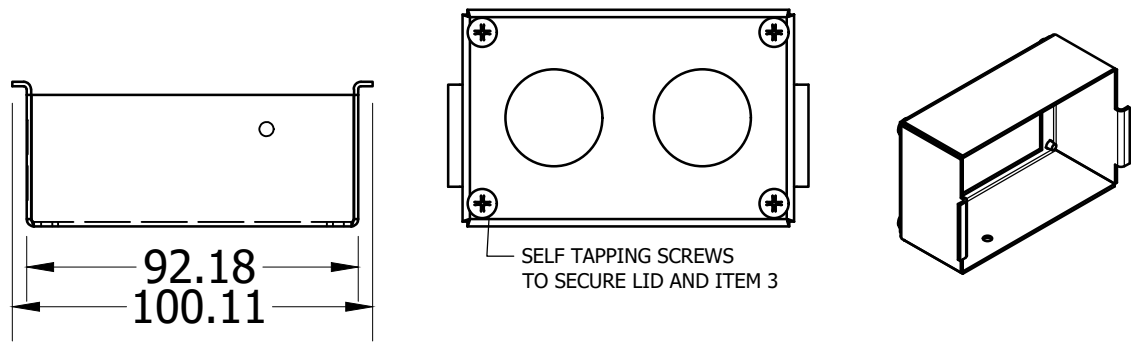
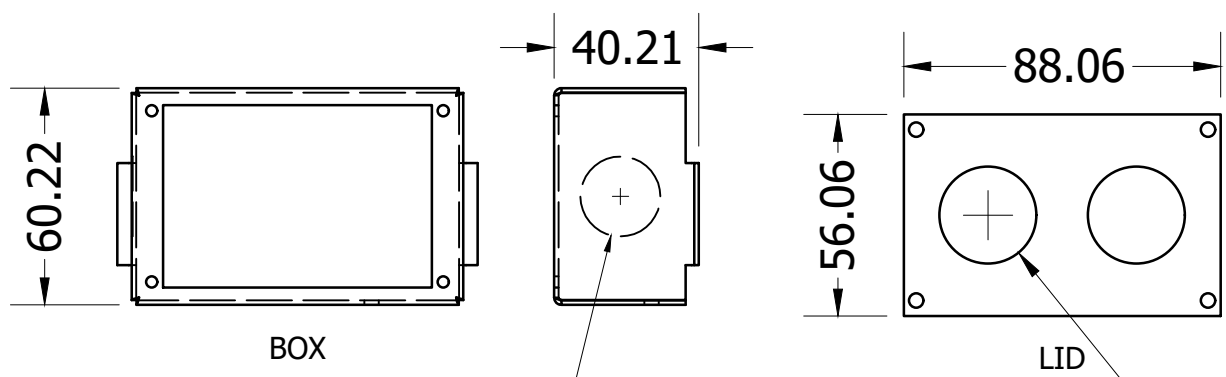


INVERTER MODEL LIST	
ITEM NO.	MODEL NUMBER
1	TM-NC-3
2	



PROPRIETARY AND CONFIDENTIAL

THE INFORMATION CONTAINED IN THIS DRAWING IS THE SOLE PROPERTY OF HIESA. ANY REPRODUCTION IN PART OR AS A WHOLE WITHOUT THE WRITTEN PERMISSION OF HIESA IS PROHIBITED.



BOX

LID

Ø27 KNOCKOUT (2X)

Ø22 KNOCKOUT (OPP. SIDE)

UNLESS OTHERWISE SPECIFIED DIMENSIONS ARE IN MM/INCHES GENERAL TOLERANCES ACCORDING TO ISO 2768-MS/E	DRAWN	DBM	23.JAN19	HITACHI INDUSTRIAL EQUIPMENT & SOLUTIONS AMERICA LLC
	UPDATED	MIG	14.JAN22	
	ENG APPR.			
	MFG APPR.			
INTERPRET GEOMETRIC TOLERANCING PER:	O.A.			TITLE: TM-NC-3 PART 1 OF 1 P1-CB-A
MATERIAL	COMMENTS:			
FINISH				SIZE DWG. NO.
				REV A
SCALE:		WEIGHT:	SHEET 1 OF 1	