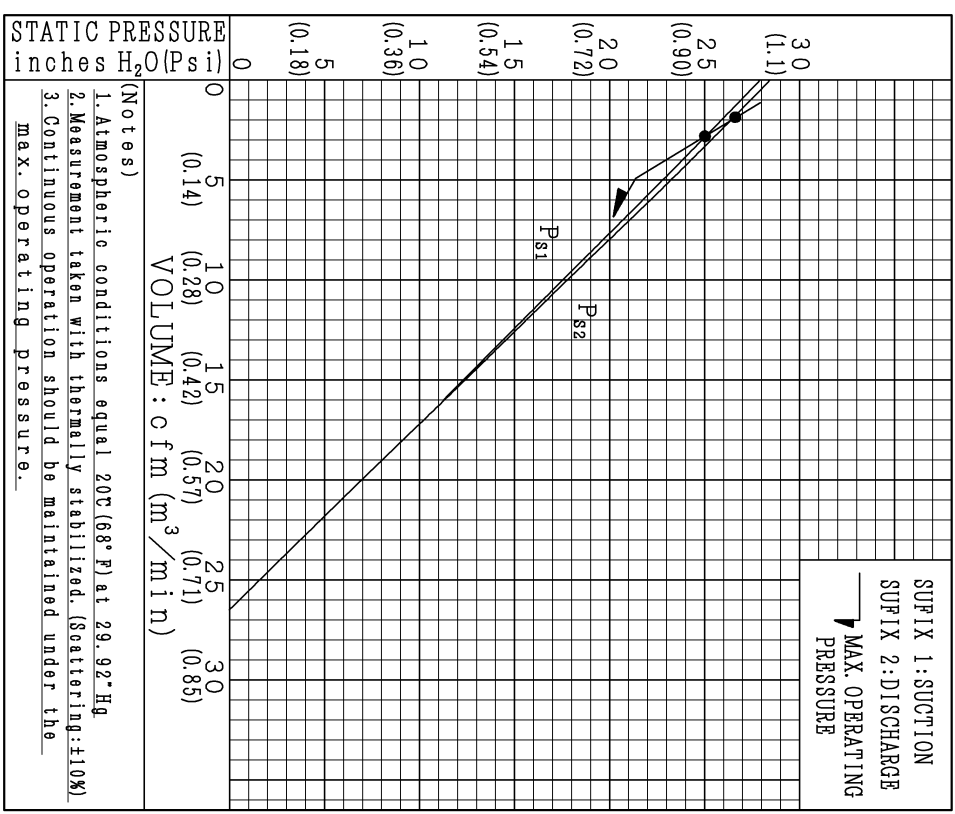
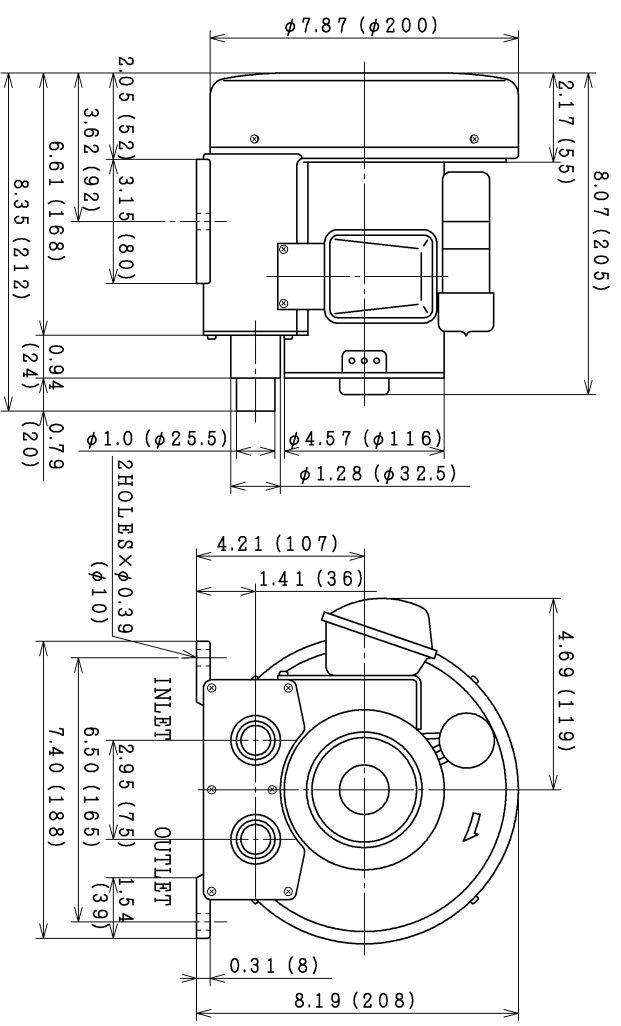


VORTEX BLOWER

DIMENSIONS
 MODEL No. : VB-001SE-U

CHARACTERISTIC CURVES

FREQUENCY (Hz)	60	PHASE	1
MAXIMUM VOLUME (cfm) (m ³ /min)	26.5 (0.8)	POLES	2
MAX. OPERATING DISCHARGE (*H ₂ O) (Psi)	26.5 (1.0)	STANDARD VOLTAGE (V)	115/230
MAX. OPERATING VACUUM (*H ₂ O) (Psi)	25.0 (0.9)	INSULATION CLASS	B
		WEIGHT (LBS) (kg)	14.3 (6.5)
		OUTPUT (VACUUM) (HP/kW)	0.13/0.095



Unit: inches (millimeters)

USE	INDOOR INSTALLATION	ACCESSORY
NOTICE		
CUSTOMER	DMC, Inc. (USA) APOL, P. LTD (INDIA)	
DATE	REV. DATE	REV. DATE
2007.08.15	REV. 01	REV. 01
	DIMENSIONS	
	Hitachi Industrial Equipment Systems Co., Ltd.	
	FRAME SIZE	
	ORDER No.	WORK No.
	3243F802675	
	REV.	
	2	