

SJ300 Series Inverter Instruction Manual

- Three-phase Input 200V Class
- Three-phase Input 400V Class

U.S. Version Models



European Version Models



Manual Number: NB613XJ
September 2006

After reading this manual,
keep it handy for future reference.

Hitachi Industrial Equipment Systems Co., Ltd.

Safety Messages

For the best results with the SJ300 Series inverter, carefully read this manual and all of the warning labels attached to the inverter before installing and operating it, and follow the instructions exactly. Keep this manual handy for quick reference.

Definitions and Symbols

A safety instruction (message) includes a hazard alert symbol and a signal word, WARNING or CAUTION. Each signal word has the following meaning:



This symbol indicates **HIGH VOLTAGE**. It calls your attention to items or operations that could be dangerous to you and other persons operation this equipment. Read the message and follow the instructions carefully.



This symbol is the “Safety Alert Symbol.” It occurs with either of two signal words: CAUTION or WARNING, as described below.



WARNING: Indicates a potentially hazardous situation that, if not avoided, can result in serious injury or death.



CAUTION: Indicates a potentially hazardous situation that, if not avoided, can result in minor to moderate injury, or serious damage to the product. The situation described in the **CAUTION** may, if not avoided, lead to serious results. Important safety measures are described in CAUTION (as well as WARNING), so be sure to observe them.



STEP: A step is one of a series of action steps required to accomplish a goal. The number of the step will be contained in the step symbol.



NOTE: Notes indicate an area or subject of special merit, emphasizing either the product’s capabilities or common errors in operation or maintenance.



TIP: Tips give a special instruction that can save time or provide other benefits while installing or using the product. The tip calls attention to an idea that may not be obvious to first-time users of the product.

Hazardous High Voltage



HIGH VOLTAGE: Motor control equipment and electronic controllers are connected to hazardous line voltages. When servicing drives and electronic controllers, there may be exposed components with housings or protrusions at or above line potential. Extreme care should be taken to protect against shock.

Stand on an insulating pad and make it a habit to use only one hand when checking components. Always work with another person in case an emergency occurs. Disconnect power before checking controllers or performing maintenance. Be sure equipment is properly grounded. Wear safety glasses whenever working on electronic controllers or rotating machinery.

General Precautions - Read These First!



WARNING: This equipment should be installed, adjusted, and serviced by qualified electrical maintenance personnel familiar with the construction and operation of the equipment and the hazards involved. Failure to observe this precaution could result in bodily injury.



WARNING: The user is responsible for ensuring that all driven machinery, drive train mechanism not supplied by Hitachi Industrial Equipment Systems Co., Ltd., and process line material are capable of safe operation at an applied frequency of 150% of the maximum selected frequency range to the AC motor. Failure to do so can result in destruction of equipment and injury to personnel should a single-point failure occur.



WARNING: For equipment protection, install a ground leakage type breaker with a fast response circuit capable of handling large currents. The ground fault protection circuit is not designed to protect against personal injury.



HIGH VOLTAGE: HAZARD OF ELECTRICAL SHOCK. DISCONNECT INCOMING POWER BEFORE WORKING ON THIS CONTROL.



WARNING: Wait at least five (5) minutes after turning OFF the input power supply before performing maintenance or an inspection. Otherwise, there is the danger of electric shock.



CAUTION: These instructions should be read and clearly understood before working on SJ300 series equipment.



CAUTION: Proper grounds, disconnecting devices and other safety devices and their location are the responsibility of the user and are not provided by Hitachi Industrial Equipment Systems Co., Ltd.



CAUTION: Be sure to connect a motor thermal disconnect switch or overload device to the SJ300 series controller to assure that the inverter will shut down in the event of an overload or an overheated motor.



HIGH VOLTAGE: Dangerous voltage exists until power light is OFF. Wait at least 5 minutes after input power is disconnected before performing maintenance.



CAUTION: This equipment has high leakage current and must be permanently (fixed) hard-wired to earth ground via two independent cables.



WARNING: Rotating shafts and above-ground electrical potentials can be hazardous. Therefore, it is strongly recommended that all electrical work conform to the National Electrical Codes and local regulations. Installation, alignment and maintenance should be performed only by qualified personnel.

Factory-recommended test procedures included in the instruction manual should be followed. Always disconnect electrical power before working on the unit.

**CAUTION:**

- a) Motor must be connected to protective ground via low resistive path ($< 0.1\Omega$)
- b) Any motor used must be of a suitable rating.
- c) Motors may have hazardous moving parts. In this event suitable protection must be provided.



CAUTION: Alarm connection may contain hazardous live voltage even when inverter is disconnected. When removing the front cover for maintenance or inspection, confirm that incoming power for alarm connection is completely disconnected.



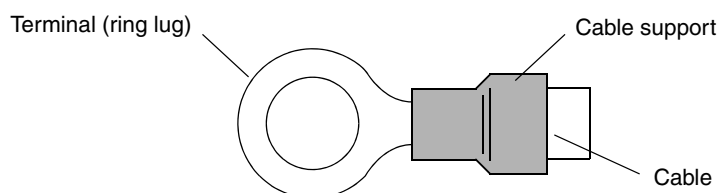
CAUTION: Hazardous (main) terminals for any interconnection (motor, contact breaker, filter, etc.) must be inaccessible in the final installation.



CAUTION: The end application must be in accordance with BS EN60204-1. Refer to the section [“Step-by-Step Basic Installation” on page 2-6](#). The diagram dimensions are to be suitably amended for your application.



CAUTION: Connection to field wiring terminals must be reliably fixed having two independent means of mechanical support. Using a termination with cable support (figure below), or strain relief, cable clamp, etc.











CAUTION: A three-pole disconnection device must be fitted to the incoming main power supply close to the inverter. Additionally, a protection device meeting IEC947-1/IEC947-3 must be fitted at this point (protection device data shown in [“Determining Wire and Fuse Sizes” on page 2-14](#)).








NOTE: The above instructions, together with any other requirements are highlighted in this manual, and must be followed for continued LVD (European Low Voltage Directive) compliance.


Index to Warnings and Cautions in This Manual


Installation—Cautions for Mounting Procedures


| | | |
|---|--|-----------|
|  | CAUTION: Be sure to install the unit on flame-resistant material such as a steel plate. Otherwise, there is the danger of fire. | 2-6 |
|  | CAUTION: Be sure not to place any flammable materials near the inverter. Otherwise, there is the danger of fire. | 2-6 |
|  | CAUTION: Be sure not to let the foreign matter enter vent openings in the inverter housing, such as wire clippings, spatter from welding, metal shavings, dust, etc. Otherwise, there is the danger of fire. | 2-6 |
|  | CAUTION: Be sure to install the inverter in a place that can bear the weight according to the specifications in the text (Chapter 1, Specifications Tables). Otherwise, it may fall and cause injury to personnel. | 2-6 |
|  | CAUTION: Be sure to install the unit on a perpendicular wall that is not subject to vibration. Otherwise, it may fall and cause injury to personnel. | 2-6 |
|  | CAUTION: Be sure not to install or operate an inverter that is damaged or has missing parts. Otherwise, it may cause injury to personnel. | 2-6 |
|  | CAUTION: Be sure to install the inverter in a well-ventilated room that does not have direct exposure to sunlight, a tendency for high temperature, high humidity or dew condensation, high levels of dust, corrosive gas, explosive gas, inflammable gas, grinding-fluid mist, salt air, etc. Otherwise, there is the danger of fire. | 2-6 |
|  | CAUTION: Be sure to maintain the specified clearance area around the inverter and to provide adequate ventilation. Otherwise, the inverter may overheat and cause equipment damage or fire. | 2-7 |


Wiring—Warnings for Electrical Practices and Wire Specifications

| | | |
|---|--|------------|
|  | WARNING: “Use 60/75°C Cu wire only” or equivalent. | 2-13 |
|  | WARNING: “Open Type Equipment.” For models SJ300–750H to SJ300–1500H. | 2-13 |
|  | WARNING: “A Class 2 circuit wired with Class 1 wire” or equivalent. | 2-13 |
|  | WARNING: “Suitable for use on a circuit capable of delivering not more than 100,000 rms symmetrical amperes, 240 V maximum.” For models with suffix L. | 2-13 |
|  | WARNING: “Suitable for use on a circuit capable of delivering not more than 100,000 rms symmetrical amperes, 480 V maximum.” For models with suffix H. | 2-13 |

- 


 HIGH VOLTAGE: Be sure to ground the unit. Otherwise, there is a danger of electric shock and/or fire. [2-13](#)
- 


 HIGH VOLTAGE: Wiring work shall be carried out only by qualified personnel. Otherwise, there is a danger of electric shock and/or fire. [2-13](#)
- 


 HIGH VOLTAGE: Implement wiring after checking that the power supply is OFF. Otherwise, you may incur electric shock and/or fire. [2-13](#)
- 

 HIGH VOLTAGE: Do not connect wiring to an inverter or operate an inverter that is not mounted according the instructions given in this manual. Otherwise, there is a danger of electric shock and/or injury to personnel. [2-13](#)

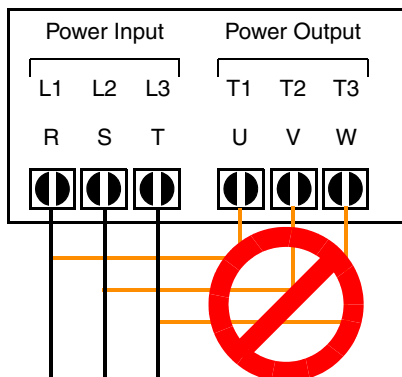
Wiring—Cautions for Electrical Practices

- 






 CAUTION: Be sure that the input voltage matches the inverter specifications: • Three phase 200 to 240V 50/60Hz • Three phase 380 to 480V 50/60Hz [2-19](#)
- 

 CAUTION: Be sure not to power a three-phase-only inverter with single phase power. Otherwise, there is the possibility of damage to the inverter and the danger of fire. [2-19](#)
- 





 CAUTION: Be sure not to connect an AC power supply to the output terminals. Otherwise, there is the possibility of damage to the inverter and the danger of injury and/or fire. [2-19](#)

















NOTE:
 L1, L2, L3: Three-phase 200 to 240V 50/60 Hz
 Three-phase 380 to 480V 50/60 Hz

-  CAUTION: Fasten the screws with the specified fastening torque in the table below. Check for any loosening of screws. Otherwise, there is the danger of fire. [2-16](#)
-  CAUTION: Remarks for using ground fault interrupter breakers in the main power supply: Adjustable frequency inverters with CE-filters (RFI-filter) and shielded (screened) motor cables have a higher leakage current toward Earth GND. Especially at the moment of switching ON this can cause an inadvertent trip of ground fault interrupter breakers. Because of the rectifier on the input side of the inverter there is the possibility to stall the switch-off function through small amounts of DC current. Please observe the following: • Use only short time-invariant and pulse current-sensitive ground fault interrupter breakers with higher trigger current. • Other components should be secured with separate ground fault interrupter breakers. • Ground fault interrupter breakers in the power input wiring of an inverter are not an absolute protection against electric shock. [2-19](#)
-  CAUTION: Be sure to install a fuse in each phase of the main power supply to the inverter. Otherwise, there is the danger of fire. [2-19](#)
-  CAUTION: For motor leads, ground fault interrupter breakers and electromagnetic contactors, be sure to size these components properly (each must have the capacity for rated current and voltage). Otherwise, there is the danger of fire. [2-19](#)
-  CAUTION: Failure to remove all vent opening covers before electrical operation may result in damage to the inverter. [2-20](#)








Powerup Test Caution Messages

-  CAUTION: The heat sink fins will have a high temperature. Be careful not to touch them. Otherwise, there is the danger of getting burned. [2-21](#)
-  CAUTION: The operation of the inverter can be easily changed from low speed to high speed. Be sure to check the capability and limitations of the motor and machine before operating the inverter. Otherwise, there is the danger of injury. [2-21](#)
-  CAUTION: If you operate a motor at a frequency higher than the inverter standard default setting (50Hz/60Hz), be sure to check the motor and machine specifications with the respective manufacturer. Only operate the motor at elevated frequencies after getting their approval. Otherwise, there is the danger of equipment damage and/or injury to personnel. [2-22](#)
-  CAUTION: Check the following before and during the powerup test. Otherwise, there is the danger of equipment damage. • Is the shorting bar between the [P] and [PD] terminals installed? DO NOT power or operate the inverter if the jumper is removed. • Is the direction of the motor rotation correct? • Did the inverter trip during acceleration or deceleration? • Were the rpm and frequency meter readings as expected? • Were there any abnormal motor vibrations or noise? [2-22](#)






Warnings for Operations and Monitoring


- | | | |
|---|---|----------------------------|
|  | WARNING: Be sure to turn ON the input power supply only after closing the front case. While the inverter is energized, be sure not to open the front case. Otherwise, there is the danger of electric shock. | 4-3 |
|  | WARNING: Be sure not to operate electrical equipment with wet hands. Otherwise, there is the danger of electric shock. | 4-3 |
|  | WARNING: While the inverter is energized, be sure not to touch the inverter terminals even when the motor is stopped. Otherwise, there is the danger of electric shock. | 4-3 |
|  | WARNING: If the Retry Mode is selected, the motor may suddenly restart after a trip stop. Be sure to stop the inverter before approaching the machine (be sure to design the machine so that safety for personnel is secure even if it restarts.) Otherwise, it may cause injury to personnel. | 4-3 |
|  | WARNING: If the power supply is cut OFF for a short period of time, the inverter may restart operation after the power supply recovers if the Run command is active. If a restart may pose danger to personnel, so be sure to use a lock-out circuit so that it will not restart after power recovery. Otherwise, it may cause injury to personnel. | 4-3 |
|  | WARNING: The Stop Key is effective only when the Stop function is enabled. Be sure to enable the Stop Key separately from the emergency stop. Otherwise, it may cause injury to personnel. | 4-3 |
|  | WARNING: During a trip event, if the alarm reset is applied and the Run command is present, the inverter will automatically restart. Be sure to apply the alarm reset only after verifying the Run command is OFF. Otherwise, it may cause injury to personnel. | 4-3 |
|  | WARNING: Be sure not to touch the inside of the energized inverter or to put any conductive object into it. Otherwise, there is a danger of electric shock and/or fire. | 4-3 |
|  | WARNING: If power is turned ON when the Run command is already active, the motor will automatically start and injury may result. Before turning ON the power, confirm that the RUN command is not present. | 4-3 |
|  | WARNING: When the Stop key function is disabled, pressing the Stop key does not stop the inverter, nor will it reset a trip alarm. | 4-3 |
|  | WARNING: Be sure to provide a separate, hard-wired emergency stop switch when the application warrants it. | 4-3 |
|  | WARNING: If the power is turned ON and the Run command is already active, the motor starts rotation and is dangerous! Before turning power ON, confirm that the external Run command is not active. | 4-12 |
|  | WARNING: After the Reset command is given and the alarm reset occurs, the motor will restart suddenly if the Run command is already active. Be sure to set the alarm reset after verifying that the Run command is OFF to prevent injury to personnel. | 4-27 |
|  | WARNING: You may need to disconnect the load from the motor before performing auto-tuning. The inverter runs the motor forward and backward for several seconds without regard to load movement limits. | 4-67 |

Cautions for Operations and Monitoring


- | | | |
|--|--|----------------------------|
|  | CAUTION: The heat sink fins will have a high temperature. Be careful not to touch them. Otherwise, there is the danger of getting burned. | 4-2 |
|  | CAUTION: The operation of the inverter can be easily changed from low speed to high speed. Be sure check the capability and limitations of the motor and machine before operating the inverter. Otherwise, it may cause injury to personnel. | 4-2 |
|  | CAUTION: If you operate a motor at a frequency higher than the inverter standard default setting (50Hz/60Hz), be sure to check the motor and machine specifications with the respective manufacturer. Only operate the motor at elevated frequencies after getting their approval. Otherwise, there is the danger of equipment damage. | 4-2 |
|  | CAUTION: It is possible to damage the inverter or other devices if your application exceeds the maximum current or voltage characteristics of a connection point. | 4-7 |
|  | CAUTION: Be careful not to turn PID Clear ON and reset the integrator sum when the inverter is in Run Mode (output to motor is ON). Otherwise, this could cause the motor to decelerate rapidly, resulting in a trip. | 4-30 |
|  | CAUTION: When the motor runs at lower speeds, the cooling effect of the motor's internal fan decreases. | 4-55 |
|  | CAUTION: If the inverter capacity is more than twice the capacity of the motor in use, the inverter may not achieve its full performance specifications. | 4-70 |

Warnings and Cautions for Troubleshooting and Maintenance


- | | | |
|---|--|----------------------------|
|  | WARNING: Wait at least five (5) minutes after turning OFF the input power supply before performing maintenance or an inspection. Otherwise, there is the danger of electric shock. | 6-2 |
|  | WARNING: Make sure that only qualified personnel will perform maintenance, inspection, and part replacement. Before starting to work, remove any metallic objects from your person (wristwatch, bracelet, etc.). Be sure to use tools with insulated handles. Otherwise, there is a danger of electric shock and/or injury to personnel. | 6-2 |
|  | WARNING: Never remove connectors by pulling on its wire leads (wires for cooling fan and logic P.C. board). Otherwise, there is danger of fire due to wire breakage and/or injury to personnel. | 6-2 |
|  | CAUTION: Do not connect the megger to any control circuit terminals such as intelligent I/O, analog terminals, etc. Doing so could cause damage to the inverter. | 6-11 |
|  | CAUTION: Never test the withstand voltage (HIPOT) on the inverter. The inverter has a surge protector between the main circuit terminals above and the chassis ground. | 6-11 |

- 


WARNING: The screws that retain the capacitor bank assembly are part of the electrical circuit of the high-voltage internal DC bus. Be sure that all power has been disconnected from the inverter, and that you have waited at least 5 minutes before accessing the terminals or screws. Be sure the charge lamp is extinguished. Otherwise, there is the danger of electrocution to personnel.

..... [6-13](#)
- 

CAUTION: Do not operate the inverter unless you have replaced the two screws that connect the capacitor bank assembly to the internal DC bus. Otherwise, damage to the inverter may occur.

..... [6-13](#)
- 

CAUTION: Remove the fan assembly carefully, since it is attached to the unit via connecting wires.

..... [6-14](#)
- 

HIGH VOLTAGE: Be careful not to touch wiring or connector terminals when working with the inverters and taking measurements. Be sure to place the measurement circuitry above in an insulated housing before using them.

..... [6-16](#)

General Warnings and Cautions



WARNING: Never modify the unit. Otherwise, there is a danger of electric shock and/or injury.



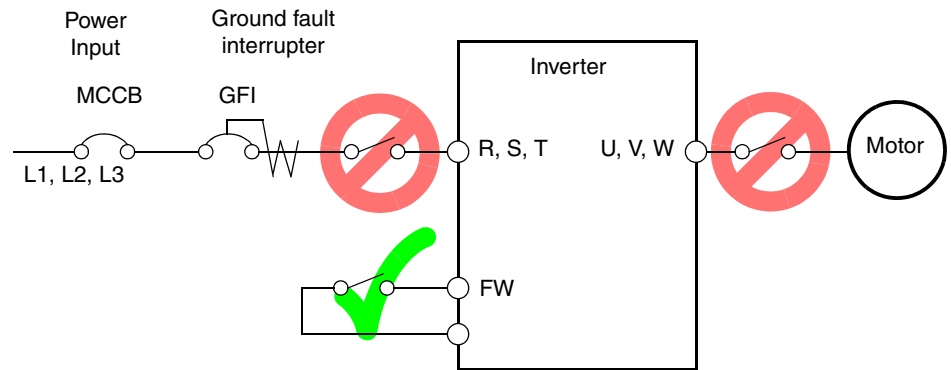
CAUTION: Withstand voltage tests and insulation resistance tests (HIPOT) are executed before the units are shipped, so there is no need to conduct these tests before operation.



CAUTION: Do not attach or remove wiring or connectors when power is applied. Also, do not check signals during operation.



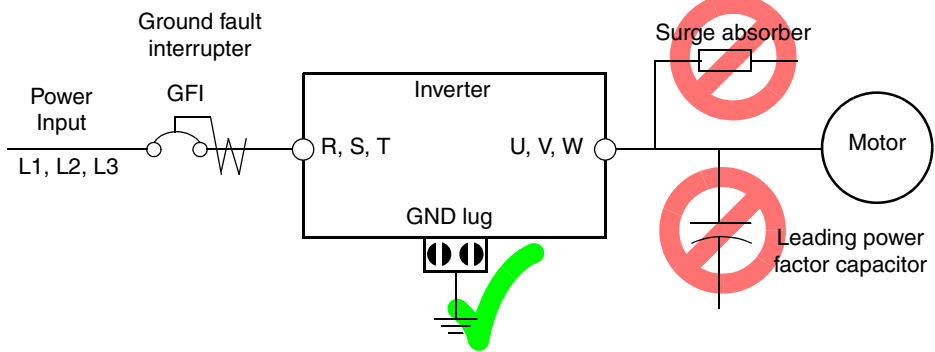
CAUTION: Do not stop operation by switching OFF electromagnetic contactors on the primary or secondary sides of the inverter.



When there has been a sudden power failure while a Run command is active, then the unit may restart operation automatically after the power failure has ended. If there is a possibility that such an occurrence may harm humans, then install an electromagnetic contactor on the power supply side, so that the circuit does not allow automatic restarting after the power supply recovers. If an optional remote operator is used and the retry function has been selected, this will also allow automatic restarting when a Run command is active. So, please be careful.



CAUTION: Do not insert leading power factor capacitors or surge absorbers between the output terminals of the inverter and motor.



CAUTION: Be sure to connect the grounding terminal to earth ground.



CAUTION: When inspecting the unit, be sure to wait five minutes after turning OFF the power supply before opening the cover.

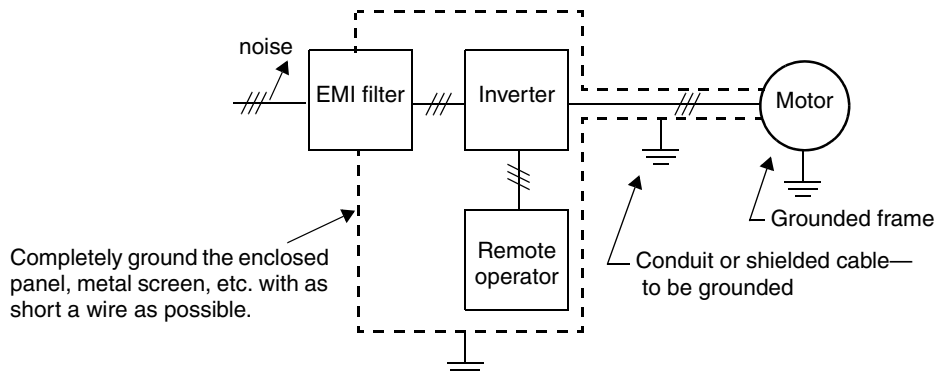
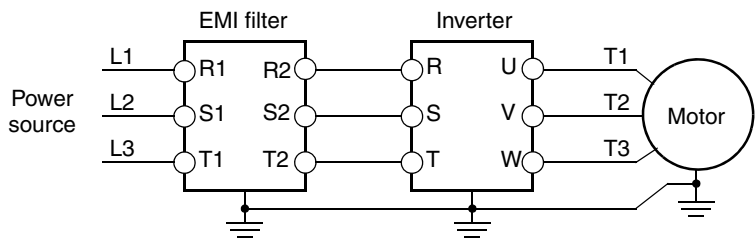


CAUTION: SUPPRESSION FOR NOISE INTERFERENCE FROM INVERTER

The inverter uses many semiconductor switching elements such as transistors and IGBTs. Thus, a radio receiver or measuring instrument located near the inverter is susceptible to noise interference.

To protect the instruments from erroneous operation due to noise interference, they should be used well away from the inverter. It is also effective to shield the whole inverter structure. The addition of an EMI filter on the input side of the inverter also reduces the effect of noise from the commercial power line on external devices.

Note that the external dispersion of noise from the power line can be minimized by connecting an EMI filter on the primary side of inverter.





**CAUTION: MOTOR TERMINAL VOLTAGE SURGE SUPPRESSION FILTER
(For 400 V CLASS Inverters)**

In a system using an inverter with the voltage control PWM system, a voltage surge caused by the cable constants such as the cable length (especially when the distance between the motor and inverter is 10 m or more) and cabling method may occur at the motor terminals. A dedicated filter of the 400 V class for suppressing this voltage surge is available. Be sure to install a filter in this situation. (See “[LCR filter](#)” on [page 5-2](#), part type HRL-xxxC.)



CAUTION: EFFECTS OF POWER DISTRIBUTION SYSTEMS ON INVERTERS

In the cases below involving a general-purpose inverter, a large peak current can flow on the power supply side, sometimes destroying the converter module:

1. The unbalance factor of the power supply is 3% or higher.
2. The power supply capacity is at least 10 times greater than the inverter capacity (or the power supply capacity is 500 kVA or more).
3. Abrupt power supply changes are expected, due to conditions such as:
 - a. Several inverters are interconnected with a short bus.
 - b. A thyristor converter and an inverter are interconnected with a short bus.
 - c. An installed phase advance capacitor opens and closes.

Where these conditions exist or when the connected equipment must be highly reliable, you **MUST** install an input-side AC reactor of 3% (at a voltage drop at rated current) with respect to the supply voltage on the power supply side. Also, where the effects of an indirect lightning strike are possible, install a lightning conductor.



CAUTION: Do not install inverters in a corner-grounded Delta distribution system. The resulting line imbalance will cause premature line fuse failure and failure of the inverter input bridge rectifier. Install in a balanced Delta or Wye distribution system only.



CAUTION: When the EEPROM error E8 occurs, be sure to confirm the setting values again.



CAUTION: When using *normally closed* active state settings (C011 to C019) for externally commanded Forward or Reverse terminals [FW] or [RV], the inverter may start automatically *when the external system is powered OFF or disconnected from the inverter!* So, do not use normally closed active state settings for Forward or Reverse terminals [FW] or [RV] unless your system design protects against unintended motor operation.



CAUTION: Do not discard the inverter with household waste. Contact an industrial waste management company in your area who can treat industrial waste without polluting the environment.



General Caution



CAUTION: In all the illustrations in this manual, covers and safety devices are occasionally removed to describe the details. While operating the product, make sure that the covers and safety devices are placed as they were specified originally and operate it according to the instruction manual.

UL[®] Cautions, Warnings, and Instructions

Wiring Warnings for Electrical Practices and Wire Sizes

The Cautions, Warnings, and instructions in this section summarize the procedures necessary to ensure an inverter installation complies with Underwriters Laboratories[®] guidelines.



WARNING: “Use 60/75°C Cu wire only” or equivalent.



WARNING: “Open Type Equipment.” For models SJ300–750H to SJ300–1500H.



WARNING: “Suitable for use on a circuit capable of delivering not more than 100,000 rms symmetrical amperes, 240 V maximum.” For models with suffix L.



WARNING: “Suitable for use on a circuit capable of delivering not more than 100,000 rms symmetrical amperes, 480 V maximum.” For models with suffix H.

Terminal Tightening Torque and Wire Size

The wire size range and tightening torque for field wiring terminals are presented in the table below.

| Input Voltage | Motor Output | | 200V Inverter Model | Wire Size Range (AWG) | Torque | |
|---------------|--------------|--------------|---------------------|-----------------------|--------|-------|
| | HP | kW | | | ft-lbs | (N-m) |
| 200V | 1/2 | 0.4 | SJ300-004LFU | 20 | 1.1 | 1.5 |
| | 1 | 0.75 | SJ300-007LFU | 18 | 1.1 | 1.5 |
| | 2 | 1.5 | SJ300-015LFU | 14 | 1.1 | 1.5 |
| | 3 | 2.2 | SJ300-022LFU | 14 | 1.1 | 1.5 |
| | 5 | 3.7 | SJ300-037LFU | 10 | 1.1 | 1.5 |
| | 7.5 | 5.5 | SJ300-055LFU | 8 | 1.8 | 2.5 |
| | 10 | 7.5 | SJ300-075LFU | 6 | 1.8 | 2.5 |
| | 15 | 11 | SJ300-110LFU | 4 | 3.6 | 4.9 |
| | 20 | 15 | SJ300-150LFU | 2 | 3.6 | 4.9 |
| | 25 | 18.5 | SJ300-185LFU | 1 | 3.6 | 4.9 |
| | 30 | 22 | SJ300-220LFU | 1/0 AWG | 6.5 | 8.8 |
| | 40 | 30 | SJ300-300LFU | 1/0 1/0 AWG | 6.5 | 8.8 |
| | 50 | 37 | SJ300-370LFU | 1/0 1/0 AWG | 6.5 | 8.8 |
| | 60 | 45 | SJ300-450LFU | 1/0 1/0 AWG | 10.1 | 13.7 |
| 75 | 55 | SJ300-550LFU | 2/0 2/0 AWG | 10.1 | 13.7 | |

| Input Voltage | Motor Output | | 400V Inverter Model | Wire Size Range (AWG) | Torque | |
|---------------|--------------|---------------|---------------------|-----------------------|--------|-------|
| | HP | kW | | | ft-lbs | (N-m) |
| 400V | 1 | 0.75 | SJ300-007HFU/E | 20 | 1.1 | 1.5 |
| | 2 | 1.5 | SJ300-015HFU/E | 18 | 1.1 | 1.5 |
| | 3 | 2.2 | SJ300-022HFU/E | 16 | 1.1 | 1.5 |
| | 5 | 4.0 | SJ300-040HFU/E | 14 | 1.1 | 1.5 |
| | 7.5 | 5.5 | SJ300-055HFU/E | 12 | 1.8 | 2.5 |
| | 10 | 7.5 | SJ300-075HFU/E | 10 | 1.8 | 2.5 |
| | 15 | 11 | SJ300-110HFU/E | 8 | 3.6 | 4.9 |
| | 20 | 15 | SJ300-150HFU/E | 6 | 3.6 | 4.9 |
| | 25 | 18.5 | SJ300-185HFU/E | 6 | 3.6 | 4.9 |
| | 30 | 22 | SJ300-220HFU/E | 4 | 3.6 | 4.9 |
| | 40 | 30 | SJ300-300HFU/E | 3 | 3.6 | 4.9 |
| | 50 | 37 | SJ300-370HFU/E | 1 | 3.6 | 4.9 |
| | 60 | 45 | SJ300-450HFU/E | 1 AWG (75°C) | 6.5 | 8.8 |
| | 75 | 55 | SJ300-550HFU/E | 1/0 1/0 AWG | 6.5 | 8.8 |
| | 100 | 75 | SJ300-750HFU/E | 3/0 (1/0 1/0 AWG) | 6.5 | 8.8 |
| | 125 | 90 | SJ300-900HFU/E | 3/0 (1/0 1/0 AWG) | 10.1 | 13.7 |
| | 150 | 110 | SJ300-110HFU/E | 1/0 1/0 AWG | 10.1 | 13.7 |
| 175 | 132 | SJ300-1320HFE | 3/0 3/0 | 10.1 | 13.7 | |
| 200 | 150 | SJ300-1500HFU | 3/0 3/0 | 10.1 | 13.7 | |

Fuse and Circuit Breaker Sizes

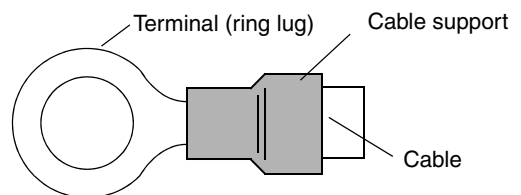
The inverter's input power wiring must include UL Listed, dual-element, 600V fuses, or UL Listed, inverse-time, 600V circuit breakers.

| Input Voltage | Motor Output | | 200V Inverter Model | Ampere Rating for Fuse or Breaker | Input Voltage | Motor Output | | 400V Inverter Model | Ampere Rating for Fuse or Breaker |
|---------------|--------------|--------------|---------------------|-----------------------------------|---------------|----------------|----------------|---------------------|-----------------------------------|
| | HP | kW | | | | HP | kW | | |
| 200V | 1/2 | 0.4 | SJ300-004LFU | 10 | 400V | 1 | 0.75 | SJ300-007HFU/E | 10 |
| | 1 | 0.75 | SJ300-007LFU | 10 | | 2 | 1.5 | SJ300-015HFU/E | 10 |
| | 2 | 1.5 | SJ300-015LFU | 10 | | 3 | 2.2 | SJ300-022HFU/E | 10 |
| | 3 | 2.2 | SJ300-022LFU | 15 | | 5 | 4.0 | SJ300-040HFU/E | 15 |
| | 5 | 3.7 | SJ300-037LFU | 20 | | 7.5 | 5.5 | SJ300-055HFU/E | 15 |
| | 7.5 | 5.5 | SJ300-055LFU | 30 | | 10 | 7.5 | SJ300-075HFU/E | 20 |
| | 10 | 7.5 | SJ300-075LFU | 40 | | 15 | 11 | SJ300-110HFU/E | 30 |
| | 15 | 11 | SJ300-110LFU | 60 | | 20 | 15 | SJ300-150HFU/E | 40 |
| | 20 | 15 | SJ300-150LFU | 80 | | 25 | 18.5 | SJ300-185HFU/E | 50 |
| | 25 | 18.5 | SJ300-185LFU | 100 | | 30 | 22 | SJ300-220HFU/E | 60 |
| | 30 | 22 | SJ300-220LFU | 125 | | 40 | 30 | SJ300-300HFU/E | 70 |
| | 40 | 30 | SJ300-300LFU | 150 | | 50 | 37 | SJ300-370HFU/E | 90 |
| | 50 | 37 | SJ300-370LFU | 175 | | 60 | 45 | SJ300-450HFU/E | 125 |
| | 60 | 45 | SJ300-450LFU | 225 | | 75 | 55 | SJ300-550HFU/E | 125 |
| 75 | 55 | SJ300-550LFU | 250 | 100 | 75 | SJ300-750HFU/E | 175 | | |
| | | | | | 125 | 90 | SJ300-900HFU/E | 200 | |
| | | | | | 150 | 110 | SJ300-110HFU/E | 250 | |
| | | | | | 175 | 132 | SJ300-1320HFE | 300 | |
| | | | | | 200 | 150 | SJ300-1500HFU | 300 | |

Wire Connectors



WARNING: Field wiring connections must be made by a UL Listed and CSA Certified ring lug terminal connector sized for the wire gauge being used. The connector must be fixed using the crimping tool specified by the connector manufacturer.



Motor Overload Protection

Hitachi SJ300 inverters provide solid state motor overload protection, which depends on the proper setting of the following parameters:

- B012 “electronic overload protection”
- B212 “electronic overload protection, 2nd motor”
- B312 “electronic overload protection, 3rd motor”

Set the rated current [Amperes] of the motor(s) with the above parameters. The setting range is $0.2 \times$ rated current to $1.2 \times$ rated current.



WARNING: When two or more motors are connected to the inverter, they cannot be protected by the electronic overload protection. Install an external thermal relay on each motor.

Table of Contents

Safety Messages

| | |
|---|-----|
| Hazardous High Voltage | i |
| General Precautions - Read These First! | ii |
| Index to Warnings and Cautions in This Manual | iv |
| General Warnings and Cautions | ix |
| UL® Cautions, Warnings, and Instructions | xii |

Table of Contents

| | |
|-------------------------------------|-------|
| Revisions | xvii |
| Contact Information | xviii |

Chapter 1: Getting Started

| | |
|---|------|
| Introduction | 1-2 |
| SJ300 Inverter Specifications | 1-6 |
| Introduction to Variable-Frequency Drives | 1-13 |
| Frequently Asked Questions | 1-17 |

Chapter 2: Inverter Mounting and Installation

| | |
|--|------|
| Orientation to Inverter Features | 2-2 |
| Basic System Description | 2-5 |
| Step-by-Step Basic Installation | 2-6 |
| Powerup Test | 2-21 |
| Using the Front Panel Keypad | 2-23 |

Chapter 3: Configuring Drive Parameters

| | |
|---|------|
| Choosing a Programming Device | 3-2 |
| Using Keypad Devices | 3-3 |
| “D” Group: Monitoring Functions | 3-6 |
| “F” Group: Main Profile Parameters | 3-8 |
| “A” Group: Standard Functions | 3-9 |
| “B” Group: Fine-Tuning Functions | 3-29 |
| “C” Group: Intelligent Terminal Functions | 3-47 |
| “H” Group: Motor Constants Functions | 3-62 |
| “P” Group: Expansion Card Functions | 3-65 |
| “U” Group: User-selectable Menu Functions | 3-67 |
| Programming Error Codes | 3-68 |

Chapter 4: Operations and Monitoring

| | |
|---|------|
| Introduction | 4-2 |
| Optional Controlled Decel and Alarm at Power Loss | 4-4 |
| Connecting to PLCs and Other Devices | 4-7 |
| Using Intelligent Input Terminals | 4-11 |
| Using Intelligent Output Terminals | 4-42 |
| Analog Input Operation | 4-59 |
| Analog Output Operation | 4-62 |
| Setting Motor Constants for Vector Control | 4-65 |
| PID Loop Operation | 4-71 |
| Configuring the Inverter for Multiple Motors | 4-72 |

Chapter 5: Inverter System Accessories

| | |
|-------------------------------|-----|
| <u>Introduction</u> | 5-2 |
| <u>Component Descriptions</u> | 5-3 |
| <u>Dynamic Braking</u> | 5-6 |

Chapter 6: Troubleshooting and Maintenance

| | |
|--|------|
| <u>Troubleshooting</u> | 6-2 |
| <u>Monitoring Trip Events, History, & Conditions</u> | 6-5 |
| <u>Restoring Factory Default Settings</u> | 6-9 |
| <u>Maintenance and Inspection</u> | 6-10 |
| <u>Warranty</u> | 6-18 |

Appendix A: Glossary and Bibliography

| | |
|---------------------|-----|
| <u>Glossary</u> | A-2 |
| <u>Bibliography</u> | A-6 |

Appendix B: Serial Communications

| | |
|---|------|
| <u>Introduction</u> | B-2 |
| <u>Communications Protocol</u> | B-5 |
| <u>Communications Reference Information</u> | B-17 |

Appendix C: Drive Parameter Settings Tables

| | |
|--|-----|
| <u>Introduction</u> | C-2 |
| <u>Parameter Settings for Keypad Entry</u> | C-2 |

Appendix D: CE-EMC Installation Guidelines

| | |
|---------------------------------------|-----|
| <u>CE-EMC Installation Guidelines</u> | D-2 |
| <u>Hitachi EMC Recommendations</u> | D-4 |

Index

Revisions

Revision History Table

| No. | Revision Comments | Date of Issue | Operation Manual No. |
|-----|--|----------------|----------------------|
| | Initial release of manual NB613X | March 2001 | NB613X |
| 1 | Add three higher-horsepower models: Model # convention update, page 1–5 Specs table, pages 1–6 to 1–10 Derating curves, pages 1–11 to 1–12 Dimension drawings, page 2–12 Update wire and fuse size table, pages 2–14, 2–15 Update terminal dimensions table, pages 2–16, 2–17 Update braking tables, pages 5–8, 5–12 Add function P044 to P049, page 3–66, pages C–15, C–16 Add programming error codes, pages 3–67, 3–68 Update keypad navigation map, pages 2–25, 3–4 Add Appendix D: CE-EMC Installation Guidelines Moved Hitachi EMC Recommendations from page iv to D–4 Contents, Revisions, Index updates Front cover update | August 2001 | NB613XA |
| 2 | Added default terminal symbols to tables on 3–47, 3–53 Updated intelligent I/O wiring examples throughout Chapter 4 to use default terminals or otherwise least-used terminals Corrected alarm relay symbols in multiple pages in Chapter 4 Contents, Revisions, Index updates Front cover update | December 2001 | NB613XB |
| 3 | Updated company name on cover, contact page, nameplate photo Corrected graphs on pages 3–29 and 3–43 Made a few minor edits throughout | May 2002 | NB613XC |
| 4 | Corrected [FM] common terminal to [L] in Chapter 4 Analog Input section Updated wire and fuse sizes for larger horsepower models in Safety section tables and Chapter 2 tables Enhanced Chapter 5 text and diagrams for dynamic braking Contents, Revisions, Index, Cover updates | August 2002 | NB613XD |
| 5 | Minor miscellaneous edits Revisions, Cover updates | March 2003 | NB613XE |
| 6 | Minor miscellaneous edits Revisions, Cover updates | March 2003 | NB613XF |
| 7 | Minor miscellaneous edits Revisions, Cover updates | July 2003 | NB613XG |
| 8 | Minor miscellaneous edits Revisions, Cover updates | December 2003 | NB613XH |
| 9 | Minor miscellaneous edits Revisions, Cover updates | February 2006 | NB613XI |
| 10 | Minor miscellaneous edits Revisions, Cover updates | September 2006 | NB613XJ |

Contact Information

Hitachi America, Ltd.
Power and Industrial Division
50 Prospect Avenue
Tarrytown, NY 10591
U.S.A.
Phone: +1-914-631-0600
Fax: +1-914-631-3672

Hitachi Australia Ltd.
Level 3, 82 Waterloo Road
North Ryde, N.S.W. 2113
Australia
Phone: +61-2-9888-4100
Fax: +61-2-9888-4188

Hitachi Europe GmbH
Am Seestern 18
D-40547 Düsseldorf
Germany
Phone: +49-211-5283-0
Fax: +49-211-5283-649

Hitachi Industrial Equipment Systems Co., Ltd.
AKS Building, 3, Kanda Neribeicho
Chiyoda-ku, Tokyo, 101-0022
Japan
Phone: +81-3-4345-6910
Fax: +81-3-4345-6067

Hitachi Asia Ltd.
16 Collyer Quay
#20-00 Hitachi Tower, Singapore 049318
Singapore
Phone: +65-538-6511
Fax: +65-538-9011

Hitachi Industrial Equipment Systems Co, Ltd.
Narashino Division
1-1, Higashi-Narashino 7-chome
Narashino-shi, Chiba 275-8611
Japan
Phone: +81-47-474-9921
Fax: +81-47-476-9517

Hitachi Asia (Hong Kong) Ltd.
7th Floor, North Tower
World Finance Centre, Harbour City
Canton Road, Tsimshatsui, Kowloon
Hong Kong
Phone: +852-2735-9218
Fax: +852-2735-6793



NOTE: To receive technical support for the Hitachi inverter you purchased, contact the Hitachi inverter dealer from whom you purchased the unit, or the sales office or factory contact listed above. Please be prepared to provide the following inverter nameplate information:

1. Model
2. Date of purchase
3. Manufacturing number (MFG No.)
4. Symptoms of any inverter problem

If any inverter nameplate information is illegible, please provide your Hitachi contact with any other legible nameplate items. To reduce unpredictable downtime, we recommend that you stock a spare inverter.

Getting Started



1

| In This Chapter.... | page |
|---|--------------------|
| — Introduction | 2 |
| — SJ300 Inverter Specifications | 6 |
| — Introduction to Variable-Frequency Drives | 13 |
| — Frequently Asked Questions | 17 |

Introduction

Main Features

Congratulations on your purchase of an SJ300 Series Hitachi inverter! This inverter drive features state-of-the-art circuitry and components to provide high performance. The housing footprint is exceptionally small, given the size of the corresponding motor. The Hitachi SJ300 product line includes more than twenty inverter models to cover motor sizes from 1/2 horsepower to 200 horsepower, in either 230 VAC or 480 VAC power input versions. The main features are:

- 200V Class and 400V Class inverters
- U.S. or European version available
- Sensorless vector control
- Regenerative braking circuit
- Different operator keypads available for RUN/STOP control and setting parameters
- Built-in RS-422 communications interface to allow configuration from a PC and for field bus external modules
- Sixteen programmable speed levels
- Motor constants are programmable, or may be set via auto-tuning
- PID control adjusts motor speed automatically to maintain a process variable value

The design of Hitachi inverters overcomes many of the traditional trade-offs between speed, torque and efficiency. The performance characteristics are:

- High starting torque of 150% rating or greater
- Continuous operation at 100% rated torque within a 1:10 speed range (6/60 Hz / 5/50 Hz) without motor derating
- Models from 0.4–11kW (1/2 to 15hp) have built-in dynamic braking units
- Cooling fan has ON/OFF selection to provide longer life

A full line of accessories from Hitachi is available to complete your motor control application. These include:

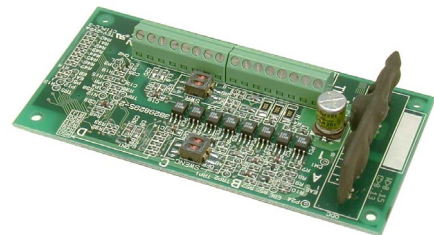
- Digital remote operator keypad
- Expansion card for sensor feedback
- Braking resistors
- Radio noise filters
- CE compliance filters
- Additional factory I/O network interface cards (to be announced)



Model SJ300-037HFU (U.S. version)



Model SJ300-037HFE (European version)



Expansion Card - Encoder Input

Digital Operator Interface Components

The SJ300 Series inverters have a detachable keypad (called a digital operator) on the front panel of the housing. The particular keypad that comes with the inverter depends on the country or continent corresponding to the particular model number. The standard digital operators occupy just part of the keypad recess in the panel. Therefore, the inverter comes with a snap-in panel filler plate that mounts below the keypad as shown.

These detachable keypads can be mounted in a NEMA cabinet panel door cut-out, for example. Threaded metal inserts on the rear of the keypads facilitate this external mounting configuration. A short cable then connects the keypad unit to the connector in the inverter keypad recess. See Chapter 3 for information on how to install and use these keypads and cables.



Digital Operator OPE-SRE
standard for -LFU and -HFU models



Digital Operator OPE-S
standard for -HFE models

The digital operator / copy unit is optional, and occupies the entire keypad recess when mounted. It has the additional capability of reading (uploading) the parameter settings in the inverter into its memory. Then you can install the copy unit on another inverter and write (download) the parameter settings into that inverter. OEMs will find this unit particularly useful, as one can use a single copy unit to transfer parameter settings from one inverter to many.

Other digital operator interfaces may be available from your Hitachi distributor for particular industries or international markets. Contact your Hitachi distributor for further details.



Optional Digital Operator / Copy Unit
SRW-0EX

Removable Components

The SJ300 Series inverters are designed for long life and ease of service. Several components are removable as shown below, aiding installation or parts replacement. Details on how and when to remove these parts are in the referenced chapters.

Fan Unit
(See Chapter 6 for servicing)

Digital Operator and Panel Filler Plate
(See Chapter 3 for instructions)

Auxiliary fan (on some models)

Control Signal Terminal Block
(See Chapter 4 for wiring)

Capacitor Bank for DC Link
(See Chapter 6 for servicing)

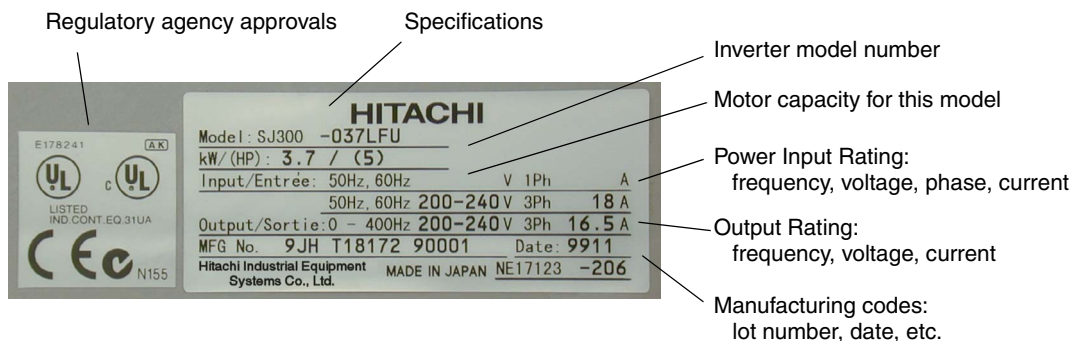
Cable entry/exit plate
(See Chapter 2 for instructions)

Specifications Label and Agency Approvals

The Hitachi SJ300 inverters have product specifications labels located on the front and the right side of the housing, as pictured to the right. Be sure to verify that the specifications on the labels match your power source, motor, and application safety requirements.

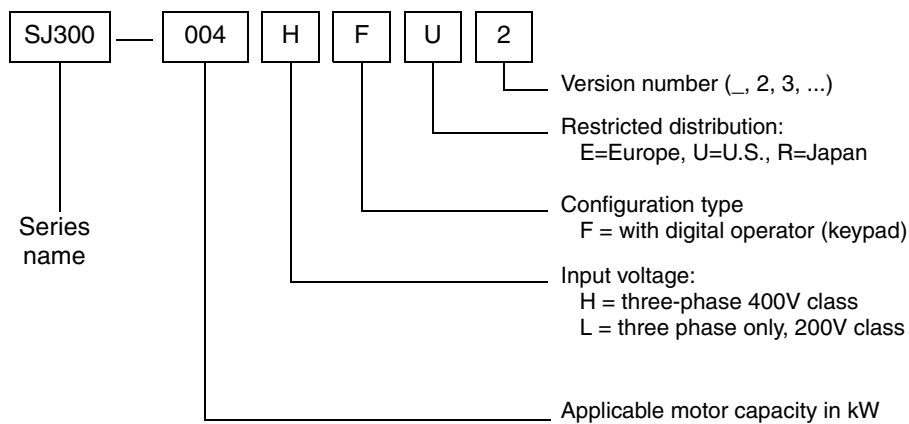


Product Labels



Model Number Convention

The model number for a specific inverter contains useful information about its operating characteristics. Refer to the model number legend below:



| | | |
|---------------|---------------|---------------|
| 004 = 0.4 kW | 075 = 7.5 kW | 450 = 45 kW |
| 007 = 0.75 kW | 110 = 11 kW | 550 = 55 kW |
| 015 = 1.5 kW | 150 = 15 kW | 750 = 75 kW |
| 022 = 2.2 kW | 185 = 18.5 kW | 900 = 90 kW |
| 037 = 3.7 kW | 220 = 22 kW | 1100 = 110 kW |
| 040 = 4.0 kW | 300 = 30 kW | 1320 = 132 kW |
| 055 = 5.5 kW | 370 = 37 kW | 1500 = 150 kW |

SJ300 Inverter Specifications

Tables for 200V class inverters

Note that [“General Specifications” on page 1-9](#) covers all SJ300 inverters, followed by footnotes for all specifications tables. The 200V models in the upper table below (1/2 to 15 hp) include internal dynamic braking units (see [“Dynamic Braking” on page 5-6](#)).

| Item | | 200V Class Specifications | | | | | | | |
|--|--------------------|--|-----------|-----------|-----------|-----------|-----------|-----------|-------------|
| SJ300, 200V models, U.S. version | | 004LFU | 007LFU | 015LFU | 022LFU | 037LFU | 055LFU | 075LFU | 110LFU |
| Applicable motor size, 4-pole *2 | HP | 1/2 | 1 | 2 | 3 | 5 | 7.5 | 10 | 15 |
| | kW | 0.4 | 0.75 | 1.5 | 2.2 | 3.7 | 5.5 | 7.5 | 11 |
| Rated capacity (200/240V) kVA | | 1.0 / 1.2 | 1.7 / 2.0 | 2.5 / 3.1 | 3.6 / 4.3 | 5.7 / 6.8 | 8.3 / 9.9 | 11 / 13.3 | 15.9 / 19.1 |
| Rated input voltage | | 3-phase: 200 to 240V ±10%, 50/60 Hz ±5% | | | | | | | |
| Rated input current (A) | | 3.8 | 5.5 | 8.3 | 12 | 18 | 26 | 35 | 51 |
| Rated output voltage *3 | | 3-phase (3-wire) 200 to 240V (corresponding to input voltage) | | | | | | | |
| Rated output current (A) | | 3.0 | 5.0 | 7.5 | 10.5 | 16.5 | 24 | 32 | 46 |
| Efficiency at 100% rated output, % | | 85.1 | 89.5 | 92.3 | 93.2 | 94.0 | 94.4 | 94.6 | 94.8 |
| Watt loss, approximate (W) | at 70% output | 64 | 76 | 102 | 127 | 179 | 242 | 312 | 435 |
| | at 100% output | 70 | 88 | 125 | 160 | 235 | 325 | 425 | 600 |
| Starting torque *6 | | 200% at 0.5 Hz (SLV), 150% at around 0 Hz (SLV, 0 Hz domain, with motor one frame size down), 100% at 0 Hz (with feedback board) | | | | | | | |
| Dynamic braking approx. % torque, short time stop *7 | internal res. only | 50% | | | 20% | | | 10% | |
| | with external res. | 200% | | | 160% | 100% | 80% | | 70% |
| DC braking | | Variable operating frequency, time, and braking force | | | | | | | |
| Weight | kg / lb | 3.5 / 7.7 | 3.5 / 7.7 | 3.5 / 7.7 | 3.5 / 7.7 | 3.5 / 7.7 | 3.5 / 7.7 | 5 / 11 | 5 / 11 |

| Item | | 200V Class Specifications, continued | | | | | | |
|--|-------------------|--|-------------|-------------|-------------|-----------|-----------|-----------|
| SJ300, 200V models, U.S. version | | 150LFU | 185LFU | 220LFU | 300LFU | 370LFU | 450LFU | 550LFU |
| Applicable motor size *2 | HP | 20 | 25 | 30 | 40 | 50 | 60 | 75 |
| | kW | 15 | 18.5 | 22 | 30 | 37 | 45 | 55 |
| Rated capacity (200/240V) kVA | | 22.1 / 26.6 | 26.3 / 31.5 | 32.9 / 39.4 | 41.9 / 50.2 | 50.2/60.2 | 63 / 75.6 | 76.2/91.4 |
| Rated input voltage | | 3-phase: 200 to 240V ±10%, 50/60 Hz ±5% | | | | | | |
| Rated input current (A) | | 70 | 84 | 105 | 133 | 160 | 200 | 242 |
| Rated output voltage *3 | | 3-phase (3-wire) 200 to 240V (corresponding to input voltage) | | | | | | |
| Rated output current (A) | | 64 | 76 | 95 | 121 | 145 | 182 | 220 |
| Efficiency at 100% rated output, % | | 94.9 | 95.0 | 95.0 | 95.1 | 95.1 | 95.1 | 95.1 |
| Watt loss, approximate (W) | at 70% output | 575 | 698 | 820 | 1100 | 1345 | 1625 | 1975 |
| | at 100% output | 800 | 975 | 1150 | 1550 | 1900 | 2300 | 2800 |
| Starting torque *6 | | 200% at 0.5 Hz (SLV), 150% at around 0 Hz (SLV, 0 Hz domain, with motor one frame size down), 100% at 0 Hz (with feedback board) | | | | | | |
| Dynamic braking approx. % torque, short time stop *7 | w/o braking unit | 10% | | | | | | |
| | with braking unit | 30-200% | 25-170% | 25-150% | 55-110% | 45-90% | 35-75% | 30-60% |
| DC braking | | Variable operating frequency, time, and braking force | | | | | | |
| Weight | kg / lb | 12 / 26.4 | 12 / 26.4 | 12 / 26.4 | 20 / 44 | 30 / 66 | 30 / 66 | 50 / 110 |

Tables for 400V class inverters

Note that [“General Specifications” on page 1-9](#) covers all SJ300 inverters, followed by footnotes for all specifications tables. The 400V models in the upper table below (1 to 15 hp) include internal dynamic braking units (see [“Dynamic Braking” on page 5-6](#)).

| Item | | 400V Class Specifications | | | | | | |
|--|--------------------|--|-----------|-----------|-----------|-----------|-----------|-----------|
| SJ300 inverters, 400V models | U.S. version | 007HFU | 015HFU | 022HFU | 040HFU | 055HFU | 075HFU | 110HFU |
| | European ver. | 007HFE | 015HFE | 022HFE | 040HFE | 055HFE | 075HFE | 110HFE |
| Applicable motor size *2 | HP | 1 | 2 | 3 | 5 | 7.5 | 10 | 15 |
| | kW | 0.75 | 1.5 | 2.2 | 4.0 | 5.5 | 7.5 | 11 |
| Rated capacity (400 / 480V) kVA | | 1.7 / 2.0 | 2.6 / 3.1 | 3.6 / 4.4 | 5.9 / 7.1 | 8.3 / 9.9 | 11 / 13.3 | 15.9/19.1 |
| Rated input voltage | | 3-phase (3-wire) 380 to 480V ±10%, 50/60 Hz ±5% | | | | | | |
| Rated input current (A) | | 2.8 | 4.2 | 5.8 | 9.5 | 13 | 18 | 25 |
| Rated output voltage *3 | | 3-phase (3-wire): 380 to 480V (corresponding to input voltage) | | | | | | |
| Rated output current (A) | | 2.5 | 3.8 | 5.3 | 8.6 | 12 | 16 | 23 |
| Efficiency at 100% rated output, % | | 89.5 | 92.3 | 93.2 | 94.0 | 94.4 | 94.6 | 94.8 |
| Watt loss, approximate (W) | at 70% output | 76 | 102 | 127 | 179 | 242 | 312 | 435 |
| | at 100% output | 88 | 125 | 160 | 235 | 325 | 425 | 600 |
| Starting torque *6 | | 200% at 0.5 Hz (SLV), 150% at around 0 Hz (SLV, 0 Hz domain, with motor one frame size down), 100% at 0 Hz (with feedback board) | | | | | | |
| Dynamic braking approx. % torque, short time stop *7 | internal res. only | 50% | | | 20% | | | 10% |
| | with external res. | 200% | | | 140% | 100% | | 70% |
| DC braking | | Variable operating frequency, time, and braking force | | | | | | |
| Weight | kg / lb | 3.5 / 7.7 | 3.5 / 7.7 | 3.5 / 7.7 | 3.5 / 7.7 | 3.5 / 7.7 | 5 / 11 | 5 / 11 |

| Item | | 400V Class Specifications | | | | | | |
|--|-------------------|--|-------------|-------------|-------------|-------------|-------------|-----------|
| SJ300 inverters, 400V models | U.S. version | 150HFU | 185HFU | 220HFU | 300HFU | 370HFU | 450HFU | 550HFU |
| | European ver. | 150HFE | 185HFE | 220HFE | 300HFE | 370HFE | 450HFE | 550HFE |
| Applicable motor size *2 | HP | 20 | 25 | 30 | 40 | 50 | 60 | 75 |
| | kW | 15 | 18.5 | 22 | 30 | 37 | 45 | 55 |
| Rated capacity (400 / 480V) kVA | | 22.1 / 26.6 | 26.3 / 31.5 | 33.2 / 39.9 | 40.1 / 48.2 | 51.9 / 62.3 | 62.3 / 74.8 | 76.2/91.4 |
| Rated input voltage | | 3-phase (3-wire) 380 to 480V ±10%, 50/60 Hz ±5% | | | | | | |
| Rated input current (A) | | 35 | 42 | 53 | 64 | 83 | 99 | 121 |
| Rated output voltage *3 | | 3-phase (3-wire): 380 to 480V (corresponding to input voltage) | | | | | | |
| Rated output current (A) | | 32 | 38 | 48 | 58 | 75 | 90 | 110 |
| Efficiency at 100% rated output, % | | 94.9 | 95.0 | 95.0 | 95.1 | 95.1 | 95.1 | 95.1 |
| Watt loss, approximate (W) | at 70% output | 575 | 698 | 820 | 1100 | 1345 | 1625 | 1975 |
| | at 100% output | 800 | 975 | 1150 | 1550 | 1900 | 2300 | 2800 |
| Starting torque *6 | | 200% at 0.5 Hz (SLV), 150% at around 0 Hz (SLV, 0 Hz domain, with motor one frame size down), 100% at 0 Hz (with feedback board) | | | | | | |
| Dynamic braking approx. % torque, short time stop *7 | w/o braking unit | 10% | | | | | | |
| | with braking unit | 40-200% | 40-200% | 35-200% | 110-170% | 90-150% | 70-120% | 60-100% |
| DC braking | | Variable operating frequency, time, and braking force | | | | | | |
| Weight | kg / lb | 12 / 26.4 | 12 / 26.4 | 12 / 26.4 | 20 / 44 | 30 / 66 | 30 / 66 | 50 / 110 |

Tables for 400V class inverters, continued...

| Item | | 400V Class Specifications | | | | |
|--|-------------------|--|---------------|---------------|---------------|---------------|
| SJ300 inverters, 400V models | U.S. version | 750HFU | 900HFU | 1100HFU | — | 1500HFU |
| | European ver. | 750HFE | 900HFE | 1100HFE | 1320HFE | — |
| Applicable motor size *2 | HP | 100 | 125 | 150 | 175 | 200 |
| | kW | 75 | 90 | 110 | 132 | 150 |
| Rated capacity (400 / 480V) kVA | | 103.2 / 123.8 | 121.9 / 146.3 | 150.3 / 180.4 | 180.1 / 216.1 | 180.1 / 216.1 |
| Rated input voltage | | 3-phase (3-wire) 380 to 480V $\pm 10\%$, 50/60 Hz $\pm 5\%$ | | | | |
| Rated input current (A) | | 164 | 194 | 239 | 286 | 286 |
| Rated output voltage *3 | | 3-phase (3-wire): 380 to 480V (corresponding to input voltage) | | | | |
| Rated output current (A) | | 149 | 176 | 217 | 260 | 260 |
| Efficiency at 100% rated output, % | | 95.2 | 95.2 | 95.2 | 95.2 | 95.2 |
| Watt loss, approximate (W) | at 70% output | 2675 | 3375 | 3900 | 4670 | 4670 |
| | at 100% output | 3800 | 4800 | 5550 | 6650 | 6650 |
| Starting torque *6 | | 180% at 0.5 Hz (SLV), 130% at around 0 Hz (SLV, 0 Hz domain, with motor one frame size down), 100% at 0 Hz (with feedback board) | | | | |
| Dynamic braking approx. % torque, short time stop *7 | w/o braking unit | 10% | | | | |
| | with braking unit | 45–70% | 40–60% | 30–50% | 25–40% | 20–35% |
| DC braking | | Variable operating frequency, time, and braking force | | | | |
| Weight | kg / lb | 60 / 132 | 60 / 132 | 80 / 176 | 80 / 176 | 80 / 176 |

Footnotes for the preceding tables and the table that follows:

Note 1: The protection method conforms to JEM 1030.**Note 2:** The applicable motor refers to Hitachi standard 3-phase motor (4-pole). When using other motors, care must be taken to prevent the rated motor current (50/60 Hz) from exceeding the rated output current of the inverter.**Note 3:** The output voltage decreases as the main supply voltage decreases (except when using the AVR function). In any case, the output voltage cannot exceed the input power supply voltage.**Note 4:** To operate the motor beyond 50/60 Hz, consult the motor manufacturer for the maximum allowable rotation speed.**Note 5:** When SLV is selected, please set the carrier frequency higher than 2.1 kHz.**Note 6:** At the rated voltage when using a Hitachi standard 3-phase, 4-pole motor (when selecting sensorless vector control—SLV).**Note 7:** The braking torque via capacitive feedback is the average deceleration torque at the shortest deceleration (stopping from 50/60 Hz as indicated). It is not continuous regenerative braking torque. The average decel torque varies with motor loss. This value decreases when operating beyond 50 Hz. If a large regenerative torque is required, the optional regenerative braking resistor should be used.**Note 8:** The frequency command will equal the maximum frequency at 9.8V for input voltage 0 to 10 VDC, or at 19.6 mA for input current 4 to 20 mA. If this characteristic is not satisfactory for your application, contact your Hitachi sales representative.**Note 9:** The storage temperature refers to the short-term temperature during transport.**Note 10:** Conforms to the test method specified in JIS C0911 (1984). For the model types excluded in the standard specifications, contact your Hitachi sales representative.**Note 11:** NEMA 1 applies up to 22kW. An optional wire-entry conduit box is required for 30kW to 55kW models to meet NEMA 1 rating.

General Specifications

The following table (continued on next page) applies to all SJ300 inverter models.

| Item | | General Specifications | |
|------------------------------------|--|--|--|
| Protective enclosure *1, *11 | | IP20 (NEMA 1) | |
| Control method | | Line-to-line sine wave pulse-width modulation (PWM) control | |
| Output frequency range *4 | | 0.1 to 400 Hz | |
| Frequency accuracy | | Digital command: $\pm 0.01\%$ of the maximum frequency Analog command: $\pm 0.2\%$ ($25^{\circ}\text{C} \pm 10^{\circ}\text{C}$) | |
| Frequency setting resolution | | Digital: ± 0.01 Hz; Analog: (max. frequency)/4000, [O] terminal: 12-bit 0 to 10V; [OI] terminal: 12-bit, 4-20mA; [O2] terminal: 12-bit -10 to +10V | |
| Volt./Freq. characteristic *5 | | V/F optionally variable (30 to 400Hz base frequency), V/F control (constant torque, reduced torque), sensorless vector control | |
| Speed fluctuation | | $\pm 0.5\%$ (sensorless vector control) | |
| Overload capacity (output current) | | 150% for 60 seconds, 200% (180% for 75kW / 100HP and larger) for 0.5 seconds | |
| Acceleration/deceleration time | | 0.01 to 3600 sec., (linear curve profiles, accel./decel. selection), two-stage accel./decel. | |
| Input signal | Freq. setting | Operator keypad | Up and Down keys / Value settings |
| | | Potentiometer | Analog setting via potentiometer on operator keypad |
| | | External signal *8 | 0 to 10 VDC (input impedance 10k Ohms), 4 to 20 mA (input impedance 250 Ohms), Potentiometer (1k to 2k Ohms, 2W) |
| | | Serial port | RS485 interface |
| | FW/RV Run | Operator panel | Run key / Stop key (change FW/RV by function command) |
| | | External signal | FW Run/Stop (NO contact), RV set by terminal assignment (NC/NO), 3-wire input available |
| | Intelligent Input terminals (assign eight functions to terminals) | | RV (reverse run/stop), CF1-CF4 (multi-speed select), JG (jogging), DB (external DC braking), SET (set 2nd motor data), 2CH (2-stage accel./decel.), FRS (free-run stop), EXT (external trip), USP (unattended start protection), CS (commercial power source), SFT (software lock), AT (analog input voltage/current select), SET3 (set 3rd motor data), RS (reset inverter), STA (start, 3-wire interface), STP (stop, 3-wire interface), F/R (FW/RV 3-wire interface), PID (PID ON/OFF), PIDC (PID reset), CAS (control gain setting), UP (remote control Up function, motorized speed pot.), DWN (remote control Down function, motorized speed pot.), UDC (remote control data clearing), OPE (Operator control), SF1-SF7 (Multispeed bits 0-7), OLR (Overload limit change), TL (torque limit enable), TRQ1 (torque limit selection bit 1, LSB), TRQ2 (torque limit selection bit 2, MSB), PPI (Proportional / Proportional/Integral mode selection), BOK (Brake confirmation signal), ORT (Orientation - home search), LAC (LAC: LAD cancel), PCLR (Position deviation reset), STAT (pulse train position command input enable), NO (not selected) |
| Thermistor input | | One terminal (PTC characteristics) | |
| Output signal | Intelligent Output terminals (assign six functions to five open collector outputs and one relay NO-NC contact) | RUN (run signal), FA1 (Frequency arrival type 1 - constant speed), FA2 (Frequency arrival type 2 - over-frequency), OL (overload advance notice signal 1), OD (Output deviation for PID control), AL (alarm signal), FA3 (Frequency arrival type 3 - at-frequency), OTQ (over-torque signal), IP (Instantaneous power failure signal), UV (Under-voltage signal), TRQ (In torque limit), RNT (Run time over), ONT (Power-ON time over), THM (thermal alarm), BRK (Brake release signal), BER (Brake error signal), ZS (Zero speed detect), DSE (speed deviation maximum), POK (Positioning completion), FA4 (Frequency arrival type 4 - over-frequency 2), FA5 (Frequency arrival type 5 - at-frequency 2), OL2 (Overload notice advance signal 2), Terminals 11-13 or 11-14 automatically configured as AC0-AC2 or AC0-AC3 per alarm code output selection) | |
| | Intelligent monitor output terminals | Analog voltage monitor, analog current monitor (8-bit resolution), and PWM output, on terminals [AM], [AMI], [FM] | |
| Display monitor | | Output frequency, output current, motor torque, scaled value of output frequency, trip history, I/O terminal condition, input power, output voltage | |

| Item | | General Specifications |
|--------------------------------|-------------------|--|
| Other user-settable parameters | | V/F free-setting (up to 7 points), freq. upper/lower limit, freq. jump, accel/decel curve selection, manual torque boost value and freq. adjustment, analog meter tuning, start frequency, carrier frequency, electronic thermal protection level, external frequency output zero/span reference, external frequency input bias start/end, analog input selection, retry after trip, restart after instantaneous power failure, various signal outputs, reduced voltage start, overload restriction, default value setting (US, Europe, Japan), deceleration and stop after power failure, AVR function, fuzzy accel/decel, auto-tuning (on-line/off-line), high-torque multi-operation, automatic energy-saving operation |
| Carrier frequency range | | Models SJ300-015xxx to 750xxx: 0.5 to 12 kHz Models SJ300-900Hxx to 1320Hxx: 0.5 to 8 kHz |
| Protective functions | | Over-current, overload, braking resistor overload, over voltage, EEPROM error, under-voltage error, CT (current transformer) error, CPU error, external trip, USP error, ground fault, input over voltage, instantaneous power failure, expansion card 1 error, expansion card 2 error, inverter thermal trip, phase failure detection, IGBT error, thermistor error |
| Environment | Temperature (*9) | Operating (ambient): -10 to 50°C / Storage: -20 to 65°C |
| | Humidity | 20 to 90% humidity (non-condensing) |
| | Vibration *10 | Models SJ300-004xxx to 220xxx: 5.9 m/s ² (0.6G), 10 to 55 Hz Models SJ00-300xx to 1500xxx: 2.94 m/s ² (0.3G), 10 to 55 Hz |
| | Location | Altitude 1,000 m or less, indoors (no corrosive gasses or dust) |
| Coating color | | Gray |
| Accessories | Feedback PCB | SJ-FB (vector control loop speed sensor) |
| | Digital input PCB | SJ-DG (4-digit BCD / 16-bit binary) |
| | Others | EMI filters, input/output reactors, DC reactors, radio noise filters, braking resistors, braking units, LCR filter, communication cables, factory I/O network interface cards |
| Operator input devices | | OPE-SRE (4-digit LED with potentiometer) / OPE-S (4-digit LED w/o potentiometer), Optional: OPE-SR (4-digit LED with potentiometer, Japanese/English overlay), SRW-OEX Multilingual operator with copy function (English, French, German, Italian, Spanish, and Portuguese) |

Signal Ratings

Detailed ratings are in [“Specifications of Control and Logic Connections” on page 4-9.](#)

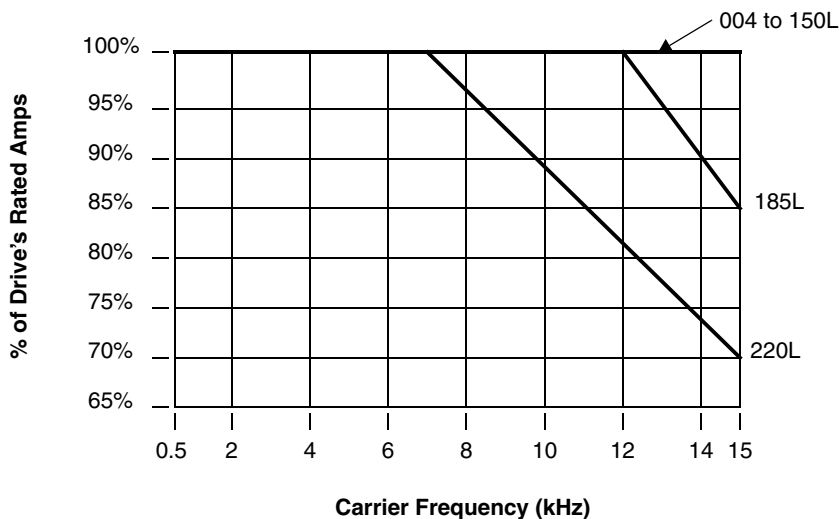
| Signal / Contact | Ratings |
|--|--|
| Built-in power for inputs | 24VDC supply, 100 mA maximum |
| Intelligent (programmable) logic inputs | 27VDC maximum, 4.7kΩ input impedance |
| Intelligent (programmable) logic outputs | Open collector type, 50mA max. ON state current, 27 VDC maximum OFF state voltage |
| Thermistor input | Minimum thermistor power 100mW |
| PWM output | 0 to 10VDC, 1.2 mA max., 50% duty cycle |
| Voltage analog output | 0 to 10VDC, 2 mA max. |
| Current analog output | 4-20 mA, nominal load impedance 250Ω |
| Analog input, current | 4 to 19.6 mA range, 20 mA nominal |
| Analog input, voltage | 0 to 9.6 VDC range, 10VDC nominal, 12VDC max., input impedance 10 kΩ |
| +10V analog reference | 10VDC nominal, 10 mA maximum |
| Alarm relay, normally closed contacts | Maximum loads: 250VAC, 2A; 30VDC, 8A resistive load 250VAC, 0.2A; 30VDC, 0.6A inductive load Minimum loads: 100 VAC, 10mA; 5VDC, 100mA |
| Alarm relay, normally open contacts | 250VAC, 1A; 30VDC 1A max. resistive load / 250VAC, 0.2A; 30VDC, 0.2A max. inductive load Min. loads: 100 VAC, 10mA; 5VDC, 100mA |

Derating Curves

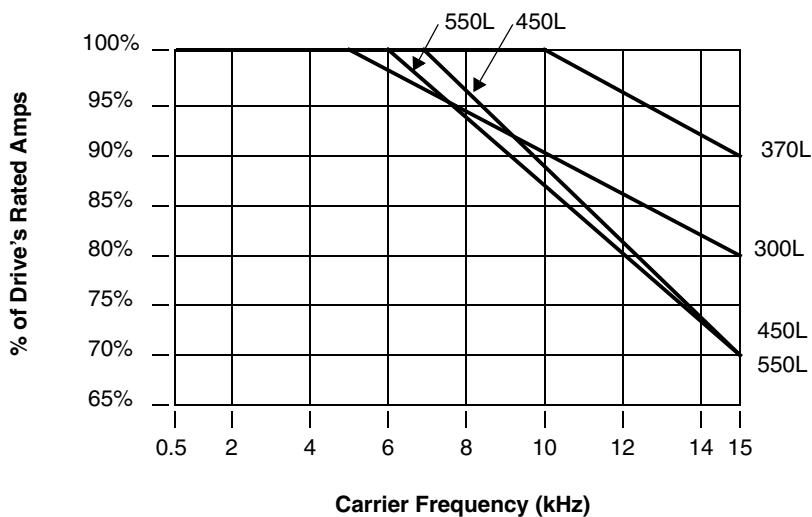
The maximum available inverter current output is limited by the carrier frequency and ambient temperature. The carrier frequency is the inverter’s internal power switching frequency, settable from 0.5 kHz to 12 kHz. Choosing a higher carrier frequency tends to decrease audible noise, but it also increases the internal heating of the inverter, thus decreasing (derating) the maximum current output capability. Ambient temperature is the temperature just outside the inverter housing—such as inside the control cabinet where the inverter is mounted. A higher ambient temperature decreases (derates) the inverter’s maximum current output capacity.

Use the following derating curves to help determine the optimal carrier frequency setting for your inverter, and to find the output current derating. Be sure to use the proper curve for your particular SJ300 inverter model number.

SJ300 1.5 to 22 kW at 50 deg. C ambient

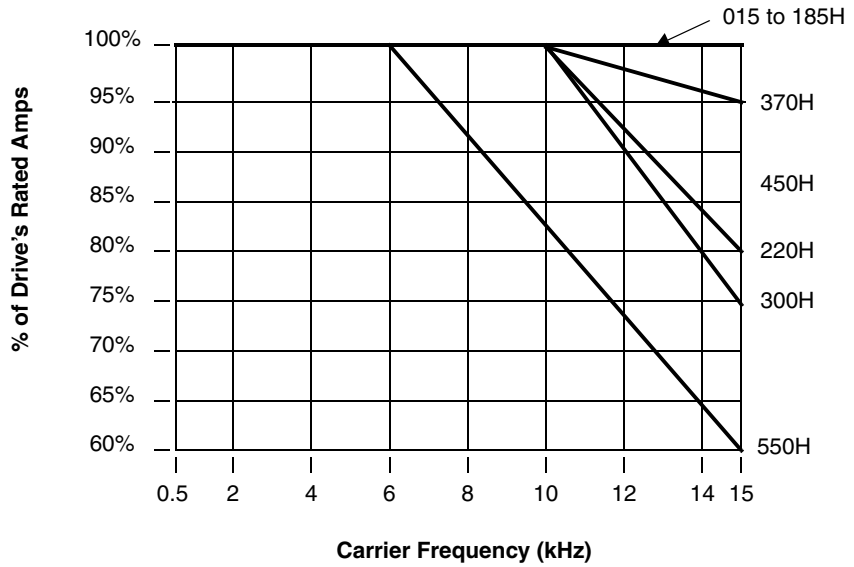


SJ300 30 to 55 kW at 50 deg. C ambient

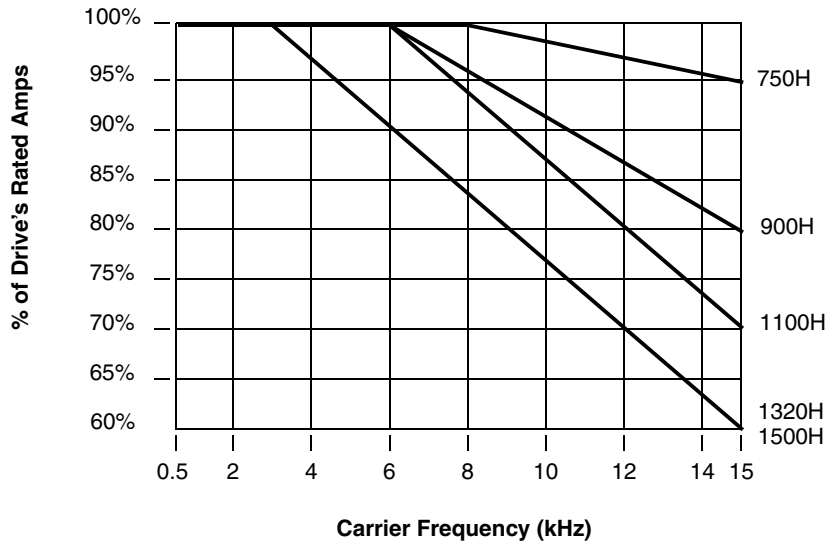


Derating curves, continued...

SJ300 30 to 55 kW at 50 deg. C ambient, continued



SJ300 75 to 150 kW at 50 deg. C ambient



Introduction to Variable-Frequency Drives

The Purpose of Motor Speed Control for Industry

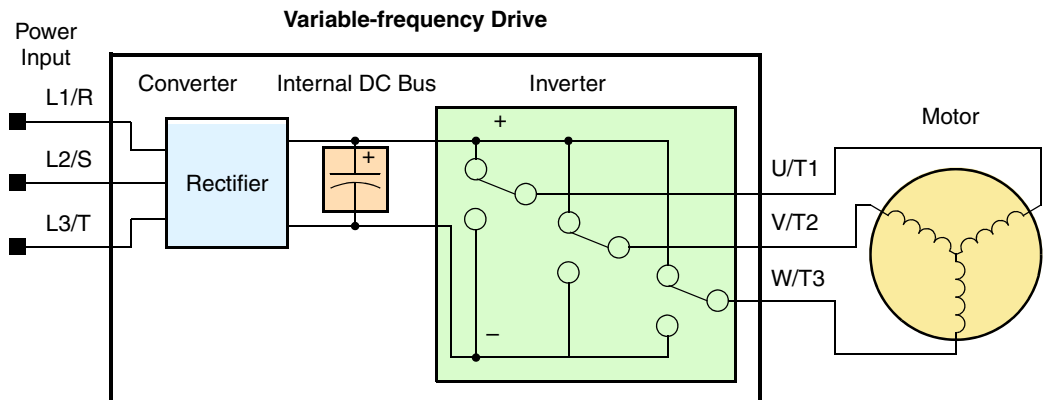
Hitachi inverters provide accurate speed control for 3-phase AC induction motors. You connect AC power to the inverter, and connect the inverter to the motor. Many applications can benefit from the use of variable-speed drives in several ways:

- Energy savings - HVAC
- Need to coordinate speed with an adjacent process - textiles and printing presses
- Need to control acceleration and deceleration (torque)
- Sensitive loads - elevators, food processing, pharmaceuticals

What is an Inverter?

The term *inverter* and *variable-frequency drive* are related and somewhat interchangeable. An electronic drive for an AC motor controls the motor's speed by *varying the frequency* of the power sent to the motor.

An inverter, in general, is a device that converts DC power to AC power. The figure below shows how the variable-frequency drive employs an internal inverter. The drive first converts incoming AC power to DC through a rectifier bridge, creating an internal DC bus voltage. Then the inverter circuit converts the DC back to AC again to power the motor. The special inverter can vary its output frequency and voltage according to the desired motor speed.

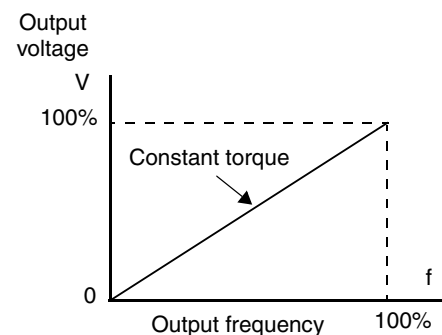


The simplified drawing of the inverter shows three double-throw switches. In Hitachi inverters, the switches are actually IGBTs (isolated gate bipolar transistors). Using a commutation algorithm, the microprocessor in the drive switches the IGBTs ON and OFF at a very high speed to create the desired output waveforms. The inductance of the motor windings helps smooth out the pulses.

Torque and Constant Volts/Hertz Operation

In the past, AC variable speed drives used an open loop (scalar) technique to control speed. The constant-volts-per-hertz operation maintains a constant ratio between the applied voltage and the applied frequency. With these conditions, AC induction motors inherently delivered constant torque across the operating speed range. For some applications, this scalar technique was adequate.

Today, with the advent of sophisticated microprocessors and digital signal processors (DSPs), it is possible to control the speed and torque of AC induction motors with unprecedented accuracy. The SJ300 utilizes these devices to perform complex mathematical calculations required to achieve superior performance. The technique is referred to as *sensorless vector control*. It allows the drive to continuously monitor its output voltage and current, and their relationship to each other. From this it mathematically calculates two vector currents. One



Inverter Input and Three-Phase Power



vector is related to motor flux current, and the other to motor torque current. The ability to separately control these two vectors is what allows the SJ300 to deliver extraordinary low-speed performance and speed control accuracy.

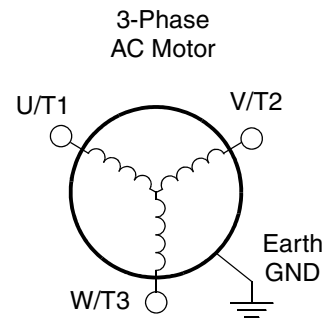
The Hitachi SJ300 Series of inverters includes two sub-groups: the 200V class and the 400V class inverters. The drives described in this manual may be used in either the United States or Europe, although the exact voltage level for commercial power may be slightly different from country to country. Accordingly, a 200V class inverter requires (nominal) 200 to 240VAC, and a 400V class inverter requires from 380 to 480VAC. All SJ300 inverters require three-phase input power, whether 200V or 400V class.

TIP: If your application only has single phase power available, refer to the Hitachi SJ100 Series inverters. SJ100 inverters of 3HP or less can accept single phase input power.

The common terminology for single phase power is Line (L) and Neutral (N). Three-phase power connections are usually labeled Line 1 (L1), Line 2 (L2) and Line 3 (L3). In any case, the power source should include a ground connection. That ground connection will need to connect to the inverter chassis and to the motor frame (see [“Wire the Inverter Output to Motor” on page 2-20](#)).

Inverter Output to the Motor

The AC motor must be connected only to the inverter's output terminals. The output terminals are uniquely labeled (to differentiate them from the input terminals) with the designations U/T1, V/T2, and W/T3. This corresponds to typical motor lead connection designations T1, T2, and T3. It is often not necessary to connect a particular inverter output to a particular motor lead for a new application. The consequence of swapping any two of the three connections is the reversal of the motor direction. In applications where reversed rotation could cause equipment damage or personnel injury, be sure to verify direction of rotation before attempting full-speed operation. For safety to personnel, you must connect the motor chassis ground to the ground connection at the bottom of the inverter housing.



Notice the three connections to the motor do not include one marked “Neutral” or “Return.” The motor represents a balanced “Y” impedance to the inverter, so there is no need for a separate return. In other words, each of the three “Hot” connections serves also as a return for the other connections, because of their phase relationship.

The Hitachi inverter is a rugged and reliable device. The intention is for the inverter to assume the role of controlling power to the motor during all normal operations. Therefore, this manual instructs you not to switch OFF power to the inverter *while the motor is running* (unless it is an emergency stop). Also, do not install or use disconnect switches in the wiring from the inverter to the motor (except thermal disconnect). Of course, safety-related devices such as fuses must be in the design to break power during a malfunction, as required by NEC and local codes.

Intelligent Functions and Parameters

Much of this manual is devoted to describing how to use inverter functions and how to configure inverter parameters. The inverter is microprocessor-controlled, and has many independent functions. The microprocessor has an on-board EEPROM for parameter storage. The inverter's front panel keypad provides access to all functions and parameters, which you can access through other devices as well. The general name for all these devices is the *digital operator*, or *digital operator panel*. Chapter 2 will show you how to get a motor running, using a minimal set of function commands or configuring parameters.

The optional read/write programmer will let you read and write inverter EEPROM contents from the programmer. This feature is particularly useful for OEMs who need to duplicate a particular inverter's settings in many other inverters in assembly-line fashion.



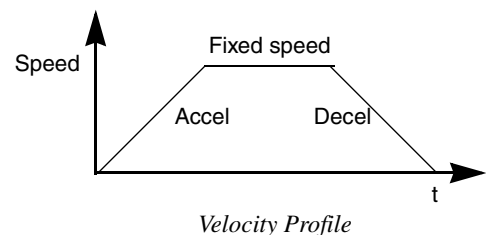
Braking

In general, braking is a force that attempts to slow or stop motor rotation. So it is associated with motor deceleration, but may also occur even when the load attempts to drive the motor faster than the desired speed (overhauling). If you need the motor and load to decelerate quicker than their natural deceleration during coasting, we recommend installing a braking resistor. The dynamic braking unit (built into certain SJ300 models) sends excess motor energy into a resistor to slow the motor and load (see [“Introduction” on page 5-2](#) and [“Dynamic Braking” on page 5-6](#) for more information). For loads that continuously overhaul the motor for extended periods of time, the SJ300 may not be suitable (contact your Hitachi distributor).

The inverter parameters include acceleration and deceleration, which you can set to match the needs of the application. For a particular inverter, motor, and load, there will be a range of practically achievable accelerations and decelerations.

Velocity Profiles

The SJ300 inverter is capable of sophisticated speed control. A graphical representation of that capability will help you understand and configure the associated parameters. This manual makes use of the velocity profile graph used in industry (shown at right). In the example, the acceleration is a ramp to a set speed, and the deceleration is a decline to a stop.

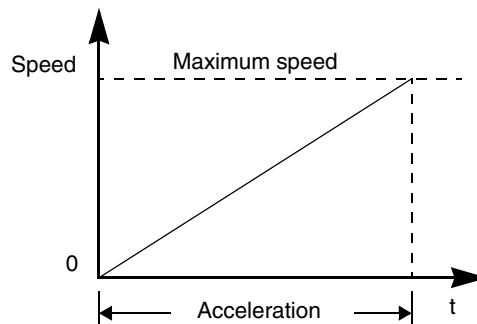


Acceleration and deceleration settings specify the time required to go from a stop to maximum frequency (or visa versa). The resulting slope (speed change divided by time) is the acceleration or deceleration. An increase in output frequency uses the acceleration slope, while a decrease uses the deceleration slope. The accel or decel time a particular speed change depends on the starting and ending frequencies. However, the slope is constant, corresponding to the full-scale accel or decel time setting.

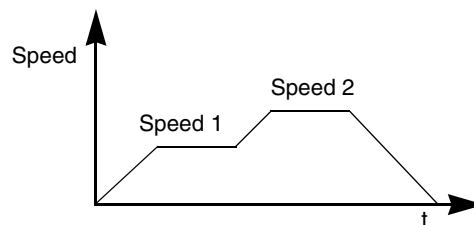
For example, the full-scale acceleration setting (time) may be 10 seconds—the time required to go from 0 to 60 Hz.

The SJ300 inverter can store up to 16 preset speeds. And, it can apply separate acceleration and deceleration transitions from any preset to any other preset speed. A multi-speed profile (shown at right) uses two or more preset speeds, which you can select via intelligent input terminals. This external control can apply any preset speed at any time. Alternatively, the selected speed is infinitely variable across the speed range. You can use the potentiometer control on the keypad for manual control. The drive accepts analog 0-10V signals and 4-20 mA control signals as well.

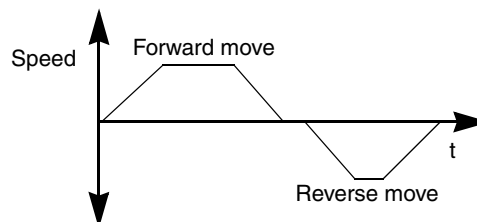
The inverter can drive the motor in either direction. Separate FW and RV commands select the direction of rotation. The motion profile example shows a forward motion followed by a reverse motion of shorter duration. The speed presets and analog signals control the magnitude of the speed, while the FW and RV commands determine the direction before the motion starts.



Acceleration (time) setting



Multi-speed Profile



Bi-directional Profile



NOTE: The SJ300 can move loads in both directions. However, it is not designed for use in servo-type applications that use a bipolar velocity signal that determines direction.

Frequently Asked Questions

- Q.** What is the main advantage in using an inverter to drive a motor, compared to alternative solutions?
- A.** An inverter can vary the motor speed with very little energy loss, unlike mechanical or hydraulic speed control solutions. The resulting energy savings can often pay for the inverter in a relatively short time.
- Q.** The term “inverter” is a little confusing, since we also use “drive” and “amplifier” to describe the electronic unit that controls a motor. What does “inverter” mean?
- A.** The terms are used somewhat interchangeably in industry. Nowadays, the terms *drive*, *variable-frequency drive*, *variable-speed drive*, and *inverter* are generally used to describe electronic, microprocessor-based motor speed controllers. In the past, *variable speed drive* also referred to various mechanical means to vary speed. *Amplifier* is a term almost exclusively used to describe drives for servo or stepper motors.
- Q.** Although the SJ300 inverter is a variable speed drive, can I use it in a fixed-speed application?
- A.** Yes, sometimes an inverter can be used simply as a “soft-start” device, providing controlled acceleration and deceleration to a fixed speed. Other functions of the SJ300 may be useful in such applications, as well. However, using a variable speed drive can benefit many types of industrial and commercial motor applications, by providing controlled acceleration and deceleration, high torque at low speeds, and energy savings over alternative solutions.
- Q.** Can I use an inverter and AC induction motor in a positioning application?
- A.** That depends on the required precision, and the slowest speed the motor must turn and still deliver torque. The SJ300 inverter will deliver 200% rated torque while turning the motor at only 0.5 Hz. DO NOT use an inverter if you need the motor to stop and hold the load position without the aid of a mechanical brake (use a servo or stepper motion control system).
- Q.** Does the optional digital operator interface or the PC software (DOP Professional) provide features beyond what is available from the keypad on the unit?
- A.** Yes. However, note first that the same set of parameters and functions are equally accessible from either the unit’s keypad or from remote devices. The DOP Professional PC software lets you save or load inverter configurations to or from a disk file. And, the hand-held digital operator provides hard-wired terminals, a safety requirement for some installations.
- Q.** Why does the manual or other documentation use terminology such as “200V class” instead of naming the actual voltage, such as “230 VAC”?
- A.** A specific inverter model is set at the factory to work across a voltage range particular to the destination country for that model. The model specifications are on the label on the side of the inverter. A European 200V class inverter (“EU” marking) has different parameter settings than a USA 200V class inverter (“US” marking). The initialization procedure (see [“Restoring Factory Default Settings” on page 6–9](#)) can set up the inverter for European or US commercial voltage ranges.
- Q.** Why doesn’t the motor have a neutral connection as a return to the inverter?
- A.** The motor theoretically represents a “balanced Y” load if all three stator windings have the same impedance. The Y connection allows each of the three wires to alternately serve as input or return on alternate half-cycles.
- Q.** Does the motor need a chassis ground connection?
- A.** Yes, for several reasons. Most importantly, this provides protection in the event of a short in the motor that puts a hazardous voltage on its housing. Secondly, motors exhibit leakage currents that increase with aging. Lastly, a grounded chassis generally emits less electrical noise than an ungrounded one.



- Q.** What type of motor is compatible with the Hitachi inverters?
- A.** **Motor type** – It must be a three phase AC induction motor. Use an inverter-grade motor that has 800V insulation for 200V class inverters, or 1600V insulation for 400V class.
- Motor size** – In practice, it's better to find the right size motor for your application; then look for the inverter to match the motor.

NOTE: There may be other factors that will affect motor selection, including heat dissipation, motor operating speed profile, enclosure type, and cooling method.

- Q.** How many poles should the motor have?
- A.** Hitachi inverters can be configured to operate motors with 2, 4, 6, or 8 poles. The greater the number of poles, the slower the top motor speed will be, but it will have higher torque at the base speed.
- Q.** Will I be able to add dynamic (resistive) braking to my Hitachi SJ300 drive after the initial installation?
- A.** Yes. Models SJ300-004XXX through SJ300-110XXX have built-in dynamic braking units. You can add an external resistor to these models to improve braking performance. Models SJ300-150XXX through SJ300-1500XXX require you to add an external braking unit. The braking resistor connects to the external braking unit for those models. More information on dynamic braking is located in Chapter 5.
- Q.** How will I know if my application will require resistive braking?
- A.** For new applications, it may be difficult to tell before you actually test a motor/drive solution. In general, some applications can rely on system losses such as friction to serve as the decelerating force, or otherwise can tolerate a long decel time. These applications will not need dynamic braking. However, applications with a combination of a high-inertia load and a required short decel time will need dynamic braking. This is a physics question that may be answered either empirically or through extensive calculations.
- Q.** Several options related to electrical noise suppression are available for the Hitachi inverters. How can I know if my application will require any of these options?
- A.** The purpose of these noise filters is to reduce the inverter electrical noise so the operation of nearby electrical devices is not affected. Some applications are governed by particular regulatory agencies, and noise suppression is mandatory. In those cases, the inverter must have the corresponding noise filter installed. Other applications may not need noise suppression, unless you notice electrical interference with the operation of other devices.
- Q.** The SJ300 features a PID loop feature. PID loops are usually associated with chemical processes, heating, or process industries in general. How could the PID loop feature be useful in my application?
- A.** You will need to determine the particular main variable in your application the motor affects. That is the process variable (PV) for the motor. Over time, a faster motor speed will cause a faster change in the PV than a slow motor speed will. By using the PID loop feature, the inverter commands the motor to run at the optimal speed required to maintain the PV at the desired value for current conditions. Using the PID loop feature will require an additional sensor and other wiring, and is considered an advanced application.

Inverter Mounting and Installation



2

| In This Chapter.... | page |
|--|--------------------|
| — Orientation to Inverter Features | 2 |
| — Basic System Description | 5 |
| — Step-by-Step Basic Installation | 6 |
| — Powerup Test | 21 |
| — Using the Front Panel Keypad | 23 |

Orientation to Inverter Features

Unpacking and Inspection

Please take a few moments to unpack your new SJ300 inverter and perform these steps:

1. Look for any damage that may have occurred during shipping.
2. Verify the contents of the box include:
 - a. One SJ300 inverter
 - b. One Instruction Manual (supplied by printed book for –FU/–FR models, supplied on CR-ROM for –FE models)
 - c. One SJ300 Quick Reference Guide
 - d. One packet of desiccant—discard (not for human consumption)
3. Inspect the specifications label on the front or side of the inverter. Make sure it matches the product part number you ordered.

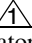

Main Physical Features

The SJ300 Series inverters vary in size according to the current output rating and motor size for each model number. All feature the same basic keypad and connector interface for consistent ease of use. The inverter construction has a heat sink at the back of the housing. The fans enhance heat sink performance. Mounting holes are pre-drilled in the heat sink for your convenience. Never touch the heat sink during or just after operation; it can be very hot.

The electronics housing and front panel are built onto the front of the heat sink. The front panel has three levels of physical access designed for convenience and safety:

- **First-level access** – for basic use of inverter and editing parameters during powered operation (power is ON)
- **Second-level access** – for wiring the inverter power supply or motor (power is OFF)
- **Third-level access** – for accessing the expansion bay for adding/removing expansion boards (power is OFF)

1. **First-level Access** - View the unit just as it came from the box as shown. The OPE-SRE or OPE-S digital operator keypad comes installed in the inverter. The four-digit display can show a variety of performance parameters. LEDs indicate whether the display units are Hertz, Volts, Amperes, or kW. Other LEDs indicate Power (external), and Run/Stop Mode and Program/Monitor Mode status. Membrane keys Run and Stop/Reset, and a Min/Max frequency control knob (OPE-SRE only) control motor operation. These controls and indicators are usually the only ones needed after the inverter installation is complete.

The FUNC., , , and STR keys allow an operator to change the inverter's functions and parameter values, or to select the one monitored on the 4-digit display. Note that some parameters may not be edited if the inverter is in Run mode.



- 2. Second-level access** - First, ensure no power source of any kind is connected to the inverter. If power has been connected, wait five minutes after powerdown and verify the Charge Lamp indicator is OFF to proceed. Then locate the recessed retention screw at the bottom of the main front panel. Use a small Phillips screwdriver to remove the screw. Press the two latch release areas near the “SJ300” label as shown, and simultaneously slide the lower front downward to release for removal.

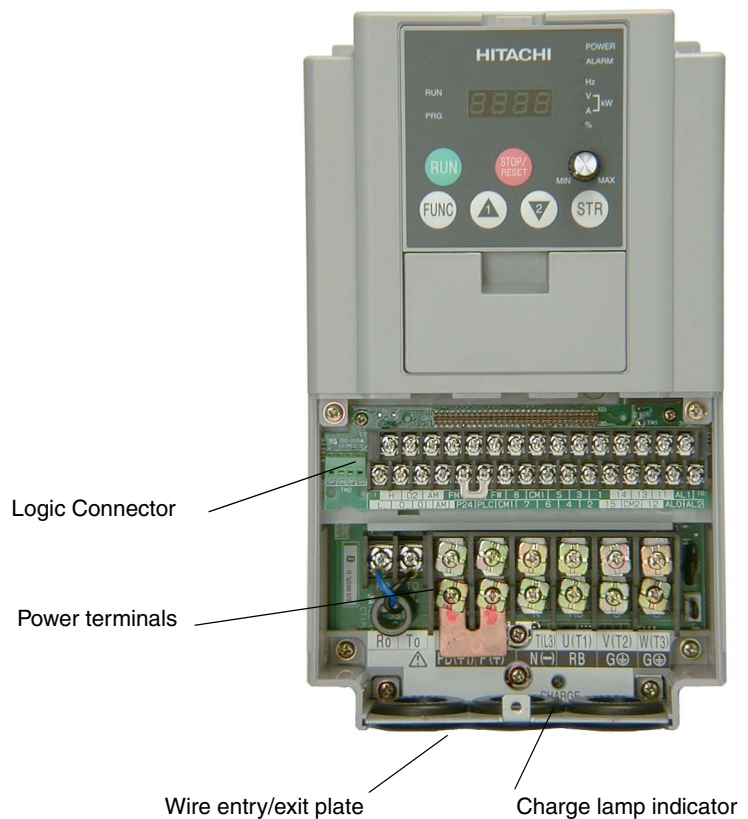
Press here and slide cover downward



Retention screw

Notice the large power terminals at the bottom of the wiring area. The rubber grommets below the power terminals are for wire entry/exit to the power source and motor. Never operate the inverter with the front panel removed.

The control terminals connect logic or analog signals for control and monitoring of the inverter. The nearby alarm relay provides both normally-open and normally-closed logic for interface to an external alarm. The alarm circuit may carry hazardous live voltages even when the main power to the inverter is OFF. So, never directly touch any terminal or circuit component.



Logic Connector

Power terminals

Wire entry/exit plate

Charge lamp indicator



WARNING: Be sure to wait five minutes after powerdown and verify the charge lamp indicator is OFF to proceed. Otherwise there is the risk of electric shock.

- Third-level access - The SJ300 provides for field installation of interface circuits. These circuits are on expansion cards, to be installed in the expansion bay. To access the expansion bay, you will need to remove the upper front panel. Use the latch to release the digital operator (the panel filler plate may remain). Remove the two retention screws the bottom corners of the upper front panel. Lift up at the bottom, then disengage the two hinge latches at the top.

Latch to release digital operator



Retention screws

The expansion bay has two sites for adding expansion cards. Each card connects via the interface connector, and mounts using three standoff screw locations. Further details on accessories are in Chapter 5. You may also refer to the instruction manual that comes with each type of expansion card.

Expansion bay

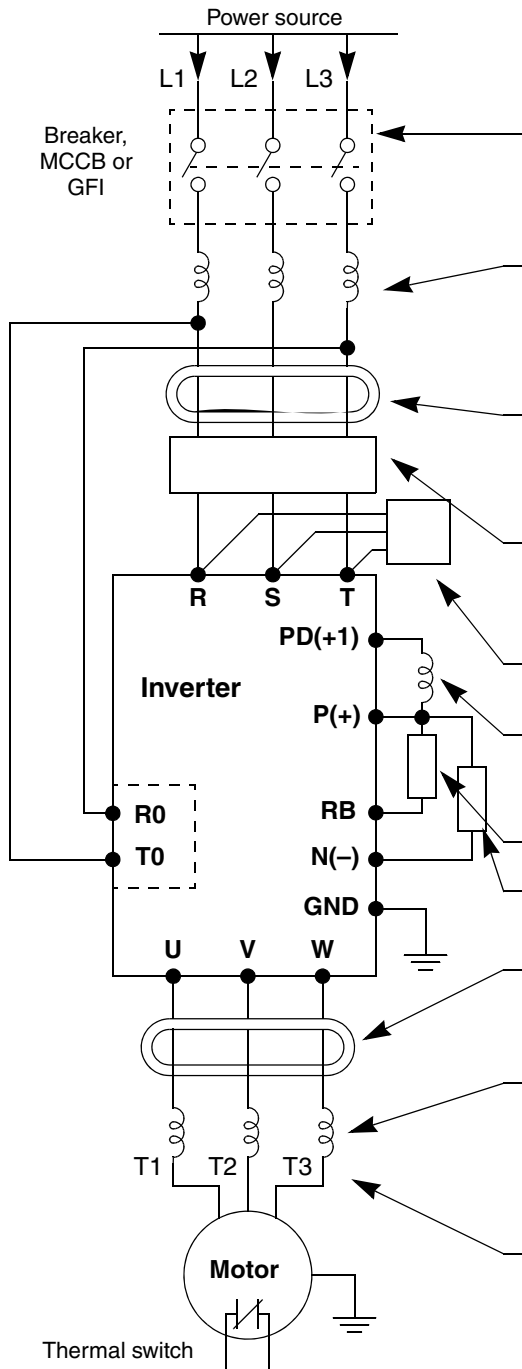
Expansion connectors



The following sections will describe the system design and guide you through a step-by-step installation process. After the section on wiring, this chapter will show how to use the front panel keys to access functions and edit parameters.

Basic System Description

A motor control system will obviously include a motor and inverter, as well as a breaker or fuses for safety. If you are connecting a motor to the inverter on a test bench just to get started, that's all you may need for now. But a system can also have a variety of additional components. Some can be for noise suppression, while others may enhance the inverter's braking performance. The figure and table below show a system with all the optional components you may need in your finished application.



| Name | Function |
|--|---|
| Breaker / disconnect | A molded-case circuit breaker (MCCB), ground fault interrupter breaker (GFI), or a fused disconnect device. NOTE: The installer must refer to the NEC and local codes to ensure safety and compliance. |
| Input side AC Reactor | This is useful in suppressing harmonics induced on the power supply lines, or when the main power voltage imbalance exceeds 3% (and power source capacity is more than 500 kVA), or to smooth out line fluctuations. It also improves the power factor. |
| Radio noise filter | Electrical noise interference may occur on nearby equipment such as a radio receiver. This magnetic choke filter helps reduce radiated noise (can also be used on output). |
| EMI filter (for CE applications, see Appendix D) | This filter reduces the conducted noise in the power supply wiring between the inverter and the power distribution system. Connect it to the inverter primary (input side). |
| Radio noise filter (use in non-CE applications) | This capacitive filter reduces radiated noise from the main power wires in the inverter input side. |
| DC link choke | The choke suppresses harmonics generated by the inverter. However, it will not protect the input diode bridge rectifier. |
| Braking resistor | Braking components are useful for increasing the inverter's control torque for high duty-cycle (ON-OFF) applications, and improving the decelerating capability. |
| Braking unit | |
| Radio noise filter | Electrical noise interference may occur on nearby equipment such as a radio receiver. This magnetic choke filter helps reduce radiated noise (can also be used at input). |
| Output side AC reactor | This reactor reduces the vibrations in the motor caused by the inverter's switching waveform, by smoothing the waveform to approximate commercial power quality. It is also useful to reduce harmonics when wiring from the inverter to the motor is more than 10m in length. |
| LCR filter | Sine wave shaping filter for output side. |

Inverter Mounting and Installation



NOTE: Some components are required for regulatory agency compliance (see Chapter 5 and Appendix D).

Step-by-Step Basic Installation

This section will guide you through the following basic steps of installation:

1. Study the warnings associated with mounting the inverter.
2. Select a suitable mounting location.



NOTE: If the installation is in an EU country, study the EMC installation guidelines in Appendix D.

3. Cover the inverter's top ventilation openings to prevent debris from falling inside.
4. Check the inverter mounting dimensions for footprint and mounting hole locations.
5. Study the caution and warning messages associated with wiring the inverter.
6. Connect wiring for the inverter power input.
7. Connect wiring to the motor.
8. Uncover the inverter's ventilation openings that were covered in Step 3.
9. Perform a powerup test.
10. Make observations and check your installation.

Step 1: Study the following caution messages associated with mounting the inverter. This is the time when mistakes are most likely to occur that will result in expensive rework, equipment damage, or personal injury.



Choosing a Mounting Location



CAUTION: Be sure to install the unit on flame-resistant material such as a steel plate. Otherwise, there is the danger of fire.



CAUTION: Be sure not to place any flammable materials near the inverter. Otherwise, there is the danger of fire.



CAUTION: Be sure not to let the foreign matter enter vent openings in the inverter housing, such as wire clippings, spatter from welding, metal shavings, dust, etc. Otherwise, there is the danger of fire.



CAUTION: Be sure to install the inverter in a place that can bear the weight according to the specifications in the text (Chapter 1, Specifications Tables). Otherwise, it may fall and cause injury to personnel.



CAUTION: Be sure to install the unit on a perpendicular wall that is not subject to vibration. Otherwise, it may fall and cause injury to personnel.



CAUTION: Be sure not to install or operate an inverter that is damaged or has missing parts. Otherwise, it may cause injury to personnel.

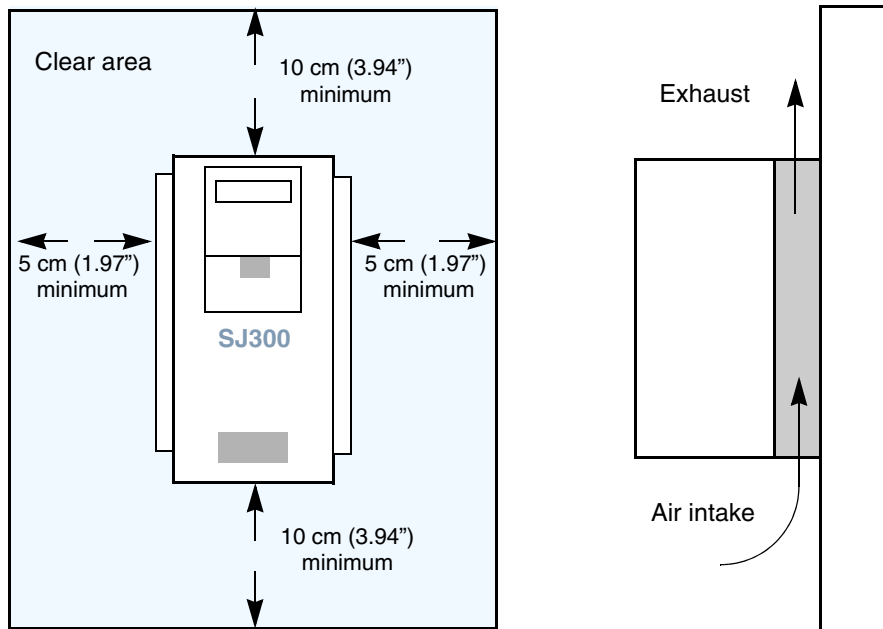


CAUTION: Be sure to install the inverter in a well-ventilated room that does not have direct exposure to sunlight, a tendency for high temperature, high humidity or dew condensation, high levels of dust, corrosive gas, explosive gas, inflammable gas, grinding-fluid mist, salt air, etc. Otherwise, there is the danger of fire.

2

Ensure Adequate Ventilation

Step 2: To summarize the caution messages—you will need to find a solid, non-flammable, vertical surface that is in a relatively clean and dry environment. In order to ensure enough room for air circulation around the inverter to aid in cooling, maintain the specified clearance around the inverter specified in the diagram.



Inverter Mounting and Installation



CAUTION: Be sure to maintain the specified clearance area around the inverter and to provide adequate ventilation. Otherwise, the inverter may overheat and cause equipment damage or fire.

3

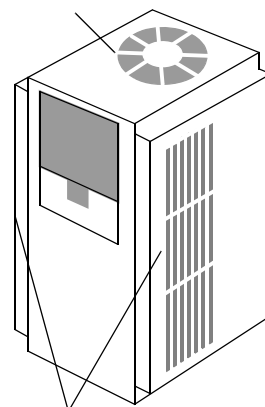
Keep Debris Out of Inverter Vents

Step 3: Before proceeding to the wiring section, it's a good time to temporarily cover the inverter's ventilation openings. Paper and masking tape are all that is needed. This will prevent harmful debris such as wire clippings and metal shavings from entering the inverter during installation.

Please observe this checklist while mounting the inverter:

1. The ambient temperature must be in the range of -10 to 40°C. If the range will be up to 50°C (maximum rating), you will need to refer to [“Derating Curves” on page 1-11](#).
2. Keep any other heat-producing equipment as far away from the inverter as possible.
3. When installing the inverter in an enclosure, maintain the clearance around the inverter and verify that its ambient temperature is within specification when the enclosure door is closed.
4. Do not open the main front panel door at any time during operation.

Cover the fan outlet vents



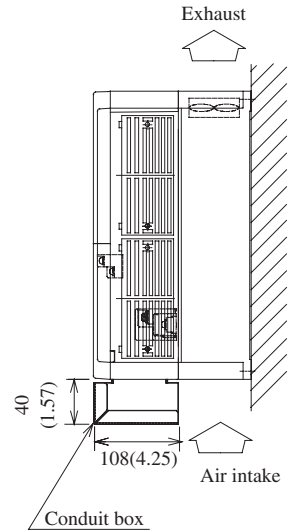
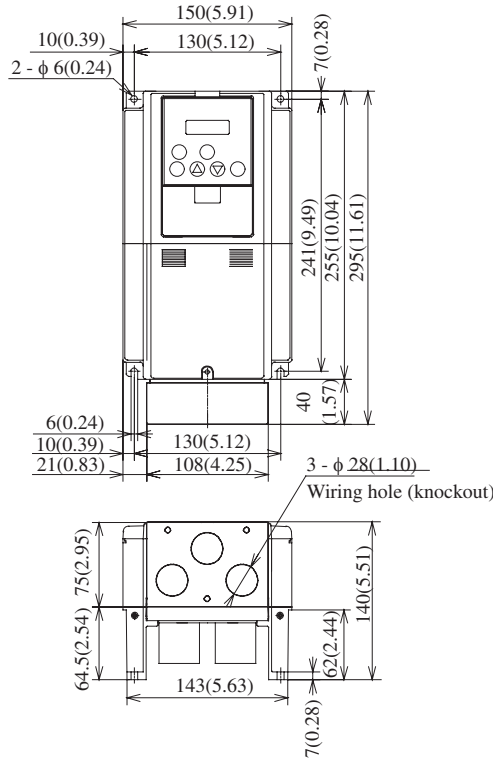
Cover the ventilation slots, both sides

4

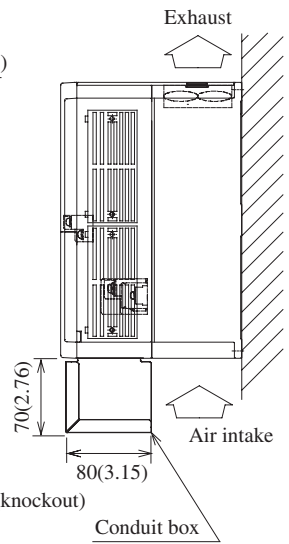
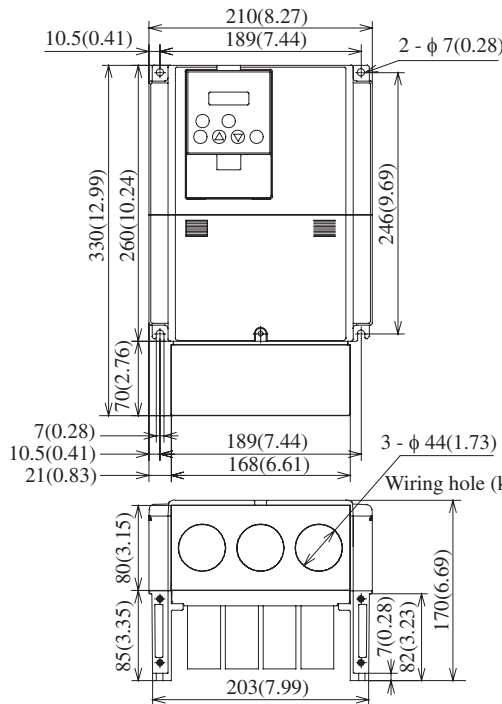
Check Inverter Dimensions

Step 4: Locate the applicable drawing on the following pages for your inverter. Dimensions are given in millimeters (inches) format. Smaller models come equipped with NEMA1 adapter (conduit box) for wire entry for U.S. models (LFU and HFU). The NEMA 1 adapter is optional for larger models as indicated in the drawings.

- Model
 SJ300 -004LFU
 -007LFU/HFE, HFU
 -015LFU/HFE, HFU
 -022LFU/HFE, HFU
 -037LFU/HFE, HFU
 -055LFU/HFE, HFU



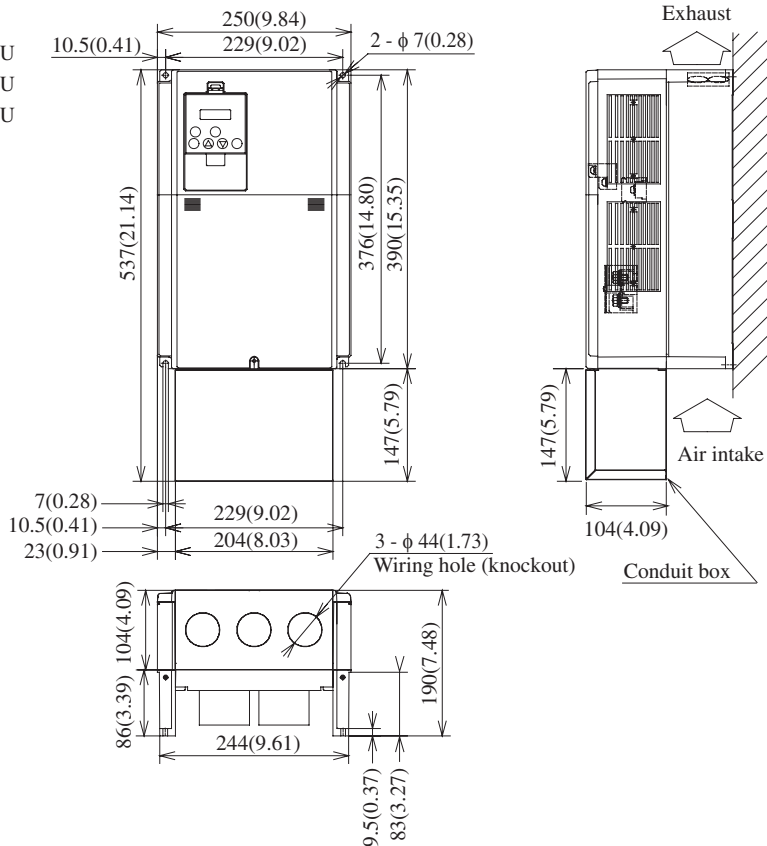
- Model
 SJ300 -075LFU/HFE, HFU
 -110LFU/HFE, HFU



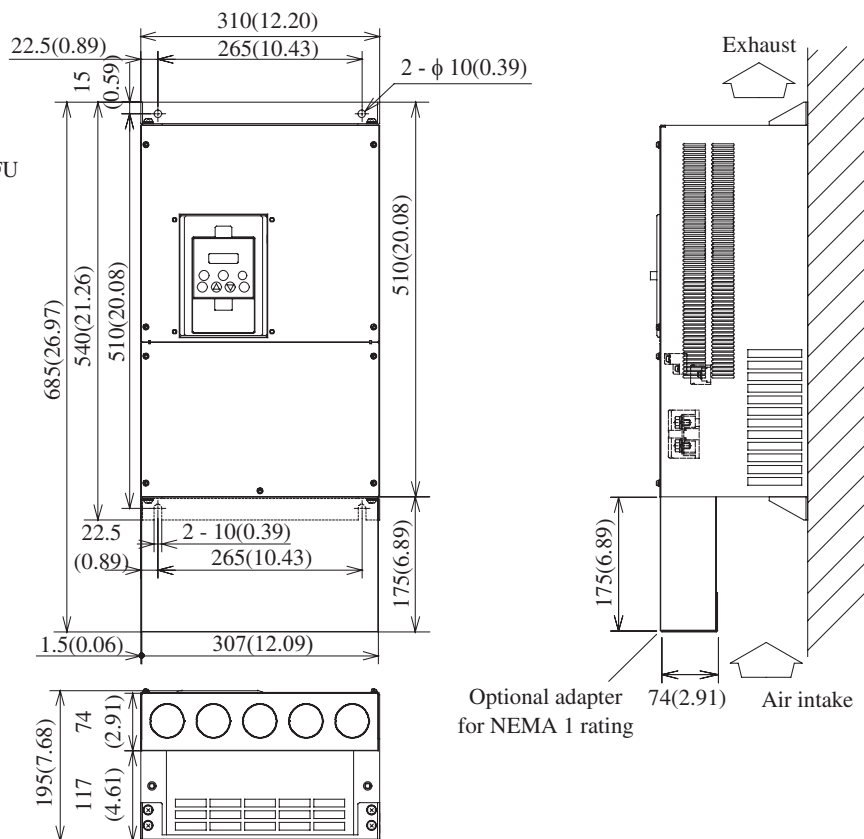
NOTE: Be sure to use lock washers or other means to ensure screws do not loosen due to vibration.

Dimensional drawings, continued...

Model
 SJ300 -150LFU/HFE, HFU
 -185LFU/HFE, HFU
 -220LFU/HFE, HFU



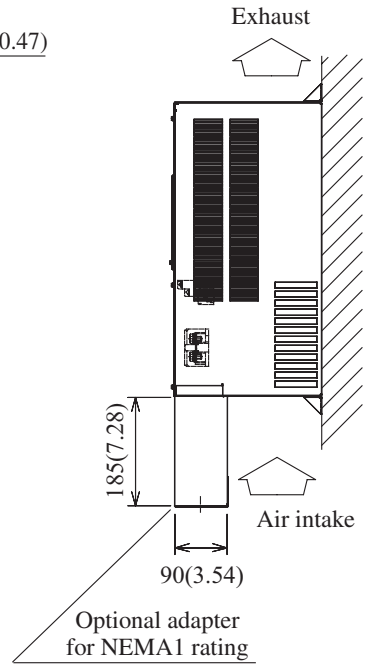
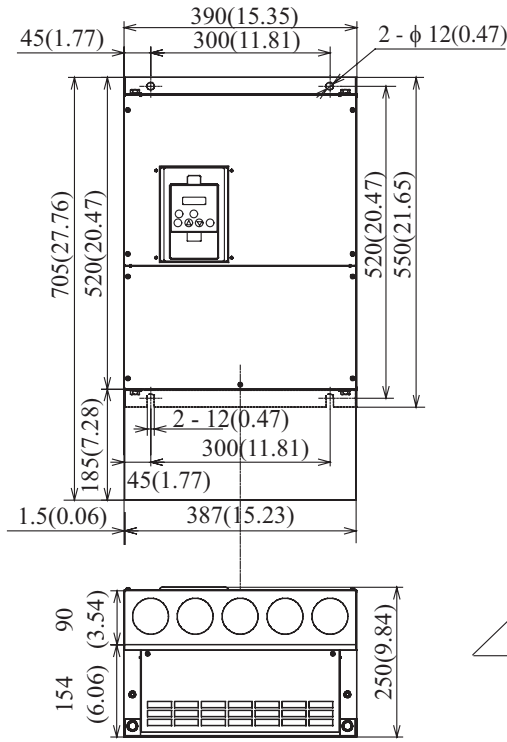
Model
 SJ300 -300LFU/HFE, HFU



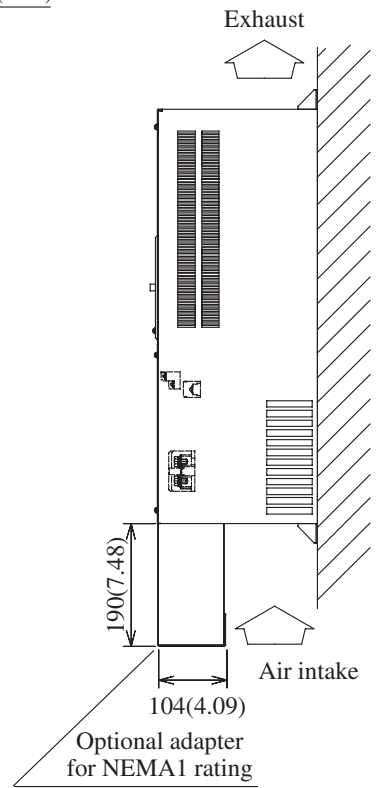
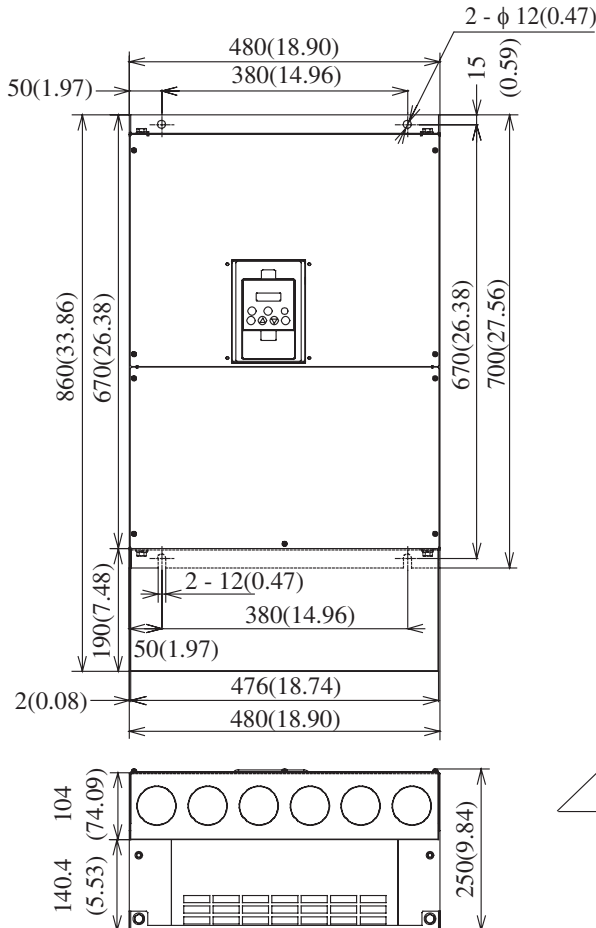
Inverter Mounting and Installation

Dimensional drawings, continued...

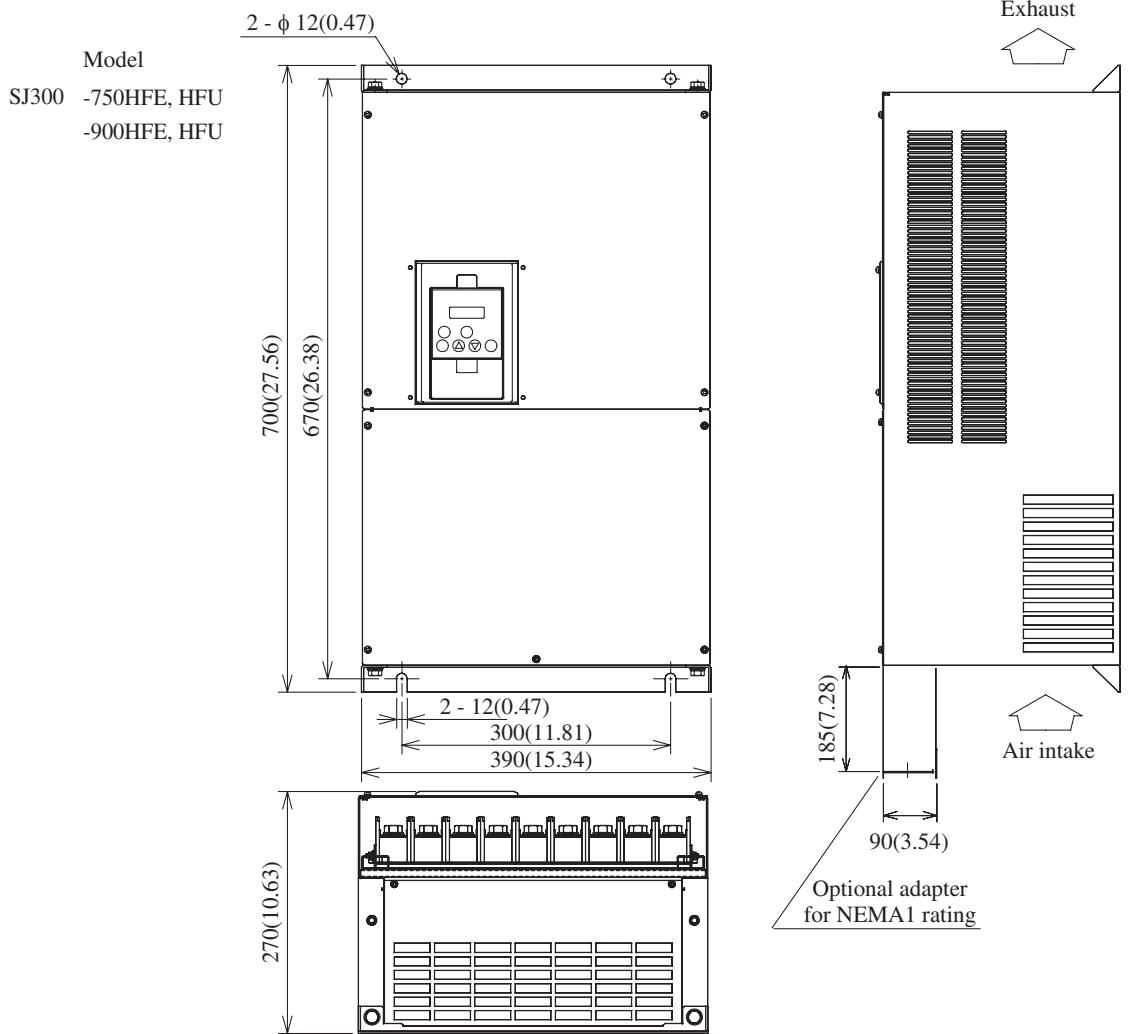
Model
 SJ300 -370LFU/HFE, HFU
 -450LFU/HFE, HFU
 -550HFE, HFU



Model
 SJ300 -550LFU



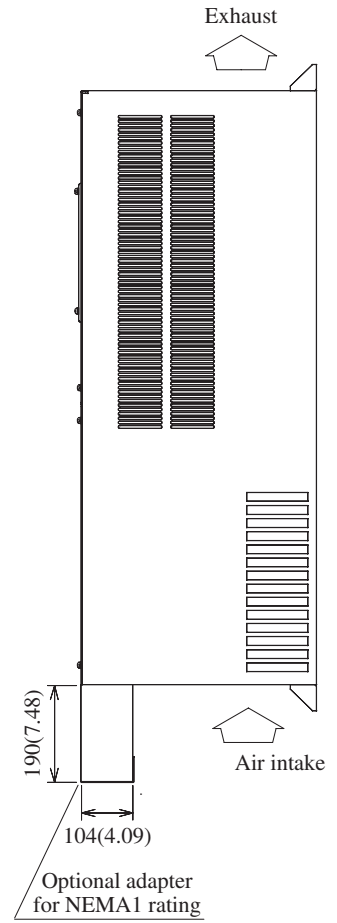
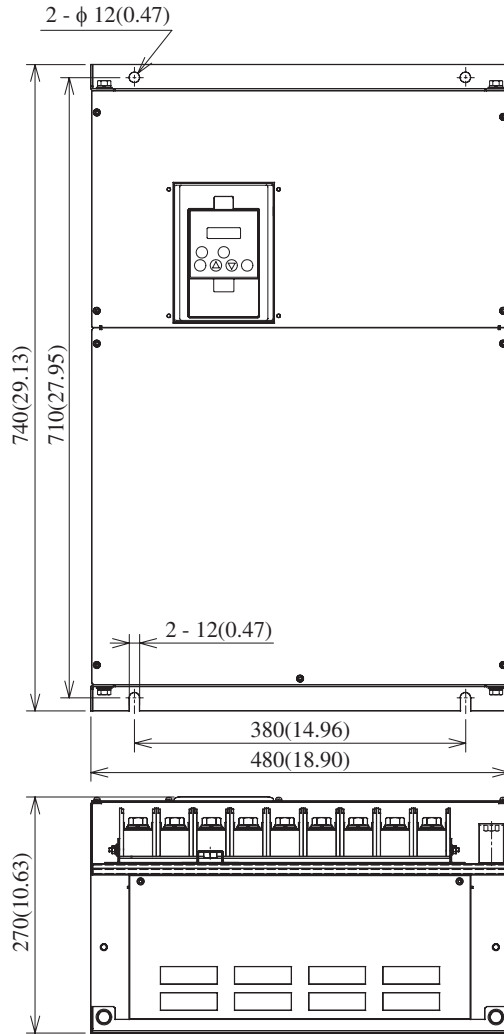
Dimensional drawings, continued...



Inverter Mounting and Installation

Dimensional drawings, continued...

Model
SJ300 -1100HFE, HFU
-1320HFE
-1500HFU



5

Prepare for Wiring



Step 5: The wiring enters the inverter through the entry/exit plate as shown to the right. The rubber grommets have a solid, thin membrane, so that unused ones continue to seal the opening. To create an opening, use a sharp knife and carefully cut an “X” in the center of the grommet as shown. Be especially careful to avoid cutting into the thick outer ring, so that the wiring will have a cushion from contacting the metal plate.



Cut grommet(s) for use as shown

NOTE: Some inverter models will have a wiring box for NEMA rating compliance. Make sure the wire entry to the NEMA box also has protective cushion from chaffing of insulation.

Inverter Mounting and Installation

Before proceeding, please study the caution and warning messages below.



WARNING: “Use 60/75°C Cu wire only” or equivalent.



WARNING: “Open Type Equipment.” For models SJ300–750H to SJ300–1500H.



WARNING: “A Class 2 circuit wired with Class 1 wire” or equivalent.



WARNING: “Suitable for use on a circuit capable of delivering not more than 100,000 rms symmetrical amperes, 240 V maximum.” For models with suffix L.



WARNING: “Suitable for use on a circuit capable of delivering not more than 100,000 rms symmetrical amperes, 480 V maximum.” For models with suffix H.



HIGH VOLTAGE: Be sure to ground the unit. Otherwise, there is a danger of electric shock and/or fire.



HIGH VOLTAGE: Wiring work shall be carried out only by qualified personnel. Otherwise, there is a danger of electric shock and/or fire.



HIGH VOLTAGE: Implement wiring after checking that the power supply is OFF. Otherwise, you may incur electric shock and/or fire.



HIGH VOLTAGE: Do not connect wiring to an inverter or operate an inverter that is not mounted according the instructions given in this manual. Otherwise, there is a danger of electric shock and/or injury to personnel.

Determining Wire and Fuse Sizes

This section includes tables for 200V class and 400V class inverters (on the next page). The following notes will help you read the tables in this section:

- Locate the row corresponding to the motor size and particular inverter in your application. The maximum motor current determines the recommended wire sizes.
- The length column specifies that some inverters can optionally use a smaller wire gauge if the wires are shorter than 10m and the inverter is located in an enclosure.
- Power Lines columns include wires connecting to terminals [R, S, T, U, V, W, P, PD, and N]. Only power input and motor leads will be fused: [R, S, T, U, V, and W]. The breaker ratings (GFI—ground fault interrupter) are slightly higher than fuse ratings to allow for nominal surges without tripping.
- The chassis ground columns list the Hitachi-recommended AWG and the minimal AWG for UL conformity.
- The optional external braking resistor wiring only applies to a few models that have a built-in braking unit. The other models use an optional external braking unit.
- Parallel wires increase effective wire gauge, and are denoted by “||” in the tables.
- Signal Lines, not listed in these tables, connect to the removable logic connector. The recommended wire gauge for all wiring to the logic connector is 28 AWG (0.75 mm²). Be sure to use shielded wire for any analog signals.

| Motor Output | | 200V Inverter Models | Wiring *1 | | | | | | | | |
|--------------|------|----------------------------|----------------|-----------------|---|-----------------------------|----------------|------------|-----------------|------------|-----------------|
| | | | Power Lines *3 | | | | Chassis Ground | | | Brake Res. | |
| HP | kW | | AWG | mm ² | Fuse (UL- rated, class J, 600V) | Breaker (GFI type) *2 | AWG, rec. | AWG, UL | mm ² | AWG | mm ² |
| 1/2 | 0.4 | SJ300-004LFU | 20 | 1.25 | 10A | 10A | 16 | 14 | 1.25 | 20 | 1.25 |
| 1 | 0.75 | SJ300-007LFU | 18 | 1.25 | 10A | 10A | 16 | 14 | 1.25 | 18 | 1.25 |
| 2 | 1.5 | SJ300-015LFU | 14 | 2 | 10A | 10A | 16 | 14 | 1.25 | 14 | 2 |
| 3 | 2.2 | SJ300-022LFU | 14 | 2 | 15A | 15A | 16 | 14 | 1.25 | 14 | 2 |
| 5 | 3.7 | SJ300-037LFU | 10 | 3.5 | 20A | 20A | 10 | 12 | 3.5 | 10 | 3.5 |
| 7.5 | 5.5 | SJ300-055LFU | 8 | 5.5 | 30A | 30A | 8 | 10 | 5.5 | 8 | 5.5 |
| 10 | 7.5 | SJ300-075LFU | 6 | 8 | 40A | 40A | 8 | 10 | 8 | 8 | 5.5 |
| 15 | 11 | SJ300-110LFU | 4 | 14 | 60A | 60A | 4 | 10 | 14 | 8 | 5.5 |
| 20 | 15 | SJ300-150LFU | 2 | 22 | 80A | 80A | 3 | 8 | 22 | — | — |
| 25 | 18.5 | SJ300-185LFU | 1 | 14 14 | 100A | 100A | 3 | 8 | 22 | — | — |
| 30 | 22 | SJ300-220LFU | 1/0 | 14 14 | 125A | 125A | 2 | 8 | 30 | — | — |
| 40 | 30 | SJ300-300LFU | 1/0 1/0 | 22 22 | 150A | 150A | 2 | 6 | 30 | — | — |
| 50 | 37 | SJ300-370LFU | 1/0 1/0 | 30 30 | 175A | 175A | 1/0 | 6 | 38 | — | — |
| 60 | 45 | SJ300-450LFU | 1/0 1/0 | 38 38 | 225A | 225A | 3/0 | 6 | 38 | — | — |
| 75 | 55 | SJ300-550LFU | 2/0 2/0 | 60 60 | 250A | 250A | 3/0 | 4 | 60 | — | — |

* See notes for wiring tables on the following page.

Determining wire and fuse sizes, continued...

| Motor Output | | 400V Inverter Models | Wiring *1 | | | | | | | | |
|--------------|------|----------------------|----------------------|-----------------|--------------------------------|-----------------------|----------------|---------|-----------------|------------|-----------------|
| HP | kW | | Power Lines *3 | | | | Chassis Ground | | | Brake Res. | |
| | | | AWG | mm ² | Fuse (UL-rated, class J, 600V) | Breaker (GFI type) *2 | AWG, rec. | AWG, UL | mm ² | AWG | mm ² |
| 1 | 0.75 | SJ300-007HFU/E | 20 | 1.25 | 10A | 10A | 16 | 14 | 1.25 | 20 | 1.25 |
| 2 | 1.5 | SJ300-015HFU/E | 18 | 2 | 10A | 10A | 16 | 14 | 1.25 | 18 | 2 |
| 3 | 2.2 | SJ300-022HFU/E | 16 | 2 | 10A | 10A | 16 | 14 | 1.25 | 16 | 2 |
| 5 | 4.0 | SJ300-040HFU/E | 14 | 2 | 15A | 15A | 16 | 14 | 1.25 | 14 | 2 |
| 7.5 | 5.5 | SJ300-055HFU/E | 12 | 2 | 15A | 15A | 14 | 14 | 2 | 12 | 2 |
| 10 | 7.5 | SJ300-075HFU/E | 10 | 3.5 | 20A | 20A | 10 | 12 | 3.5 | 10 | 3.5 |
| 15 | 11 | SJ300-110HFU/E | 8 | 5.5 | 30A | 30A | 8 | 10 | 5.5 | 8 | 5.5 |
| 20 | 15 | SJ300-150HFU/E | 6 | 8 | 40A | 40A | 8 | 10 | 8 | — | — |
| 25 | 18.5 | SJ300-185HFU/E | 6 | 14 | 50A | 50A | 4 | 10 | 14 | — | — |
| 30 | 22 | SJ300-220HFU/E | 4 | 14 | 60A | 60A | 4 | 10 | 14 | — | — |
| 40 | 30 | SJ300-300HFU/E | 3 | 22 | 70A | 70A | 3 | 10 | 22 | — | — |
| 50 | 37 | SJ300-370HFU/E | 1 | 14 14 | 90A | 90A | 3 | 8 | 22 | — | — |
| 60 | 45 | SJ300-450HFU/E | 1 AWG (75°C) | 38 | 125A | 125A | 1 | 8 | 22 | — | — |
| 75 | 55 | SJ300-550HFU/E | 1/0 1/0 | 22 22 | 125A | 125A | 1 | 6 | 30 | — | — |
| 100 | 75 | SJ300-750HFU/E | 3/0 (1/0 1/0 AWG) | 30 30 | 175A | 175A | 1/0 | 6 | 50 | — | — |
| 125 | 90 | SJ300-900HFU/E | 3/0 (1/0 1/0 AWG) | 38 38 | 200A | 200A | 3/0 | 6 | 80 | — | — |
| 150 | 110 | SJ300-1100HFU/E | 1/0 1/0 | 50 50 | 250A | 250A | 3/0 | 4 | 80 | — | — |
| 175 | 132 | SJ300-1320HFE | 3/0 3/0 | 80 80 | 300A | 300A | 4/0 | 4 | 100 | — | — |
| 200 | 150 | SJ300-1500HFU | 3/0 3/0 | 80 80 | 300A | 300A | 4/0 | 4 | 100 | — | — |

Note 1: Field wiring must be made by a UL-listed and CSA certified ring lug terminal connector sized for the wire gauge involved. The connector must be fixed by using the crimping tool specified by the connector manufacturer.

Note 2: Be sure to consider the capacity of the circuit breaker to be used.

Note 3: Be sure to use a larger wire gauge if power line length exceeds 66 ft (20m).

Terminal Dimensions and Torque Specs



The following tables list the screw size of terminal and recommended torque for tightening for each of the SJ300 inverter models (400V models are on the next page).

CAUTION: Fasten the screws with the specified fastening torque in the table below. Check for any loosening of screws. Otherwise, there is the danger of fire.

| Input Voltage | Motor Output | | 200V Inverter Models | Screw size of terminal | Ring lug connector *1 | | Torque | |
|---------------|--------------|--------------|----------------------|------------------------|-----------------------|-------------------------|--------|-------|
| | HP | kW | | | (AWG-bolt) | (mm ² -bolt) | ft-lbs | (N-m) |
| 200V | 1/2 | 0.4 | SJ300-004LFU | M4 | 20-#10 | 1.25-4 | 1.1 | 1.5 |
| | 1 | 0.75 | SJ300-007LFU | M4 | 20-#10 | 1.25-4 | 1.1 | 1.5 |
| | 2 | 1.5 | SJ300-015LFU | M4 | 14-#10 | 2-4 | 1.1 | 1.5 |
| | 3 | 2.2 | SJ300-022LFU | M4 | 14-#10 | 2-4 | 1.1 | 1.5 |
| | 5 | 3.7 | SJ300-037LFU | M4 | 10-#10 | 3.5-4 | 1.1 | 1.5 |
| | 7.5 | 5.5 | SJ300-055LFU | M5 | 8-#12 | 5.5-5 | 1.8 | 2.5 |
| | 10 | 7.5 | SJ300-075LFU | M5 | 8-#12 | 8-5 | 1.8 | 2.5 |
| | 15 | 11 | SJ300-110LFU | M6 | 4-1/4 | 14-6 | 3.6 | 4.9 |
| | 20 | 15 | SJ300-150LFU | M6 | 2-1/4 | 22-6 | 3.6 | 4.9 |
| | 25 | 18.5 | SJ300-185LFU | M6 | 1-1/4 | 30-6 | 3.6 | 4.9 |
| | 30 | 22 | SJ300-220LFU | M8 | 1/0-5/16 | 38-8 | 6.5 | 8.8 |
| | 40 | 30 | SJ300-300LFU | M8 | 2-5/16 | 60-8 | 6.5 | 8.8 |
| | 50 | 37 | SJ300-370LFU | M8 | 1-5/16 | 100-8 | 6.5 | 8.8 |
| | 60 | 45 | SJ300-450LFU | M10 | 1/0-1/2 | 100-10 | 10.1 | 13.7 |
| 75 | 55 | SJ300-550LFU | M10 | 2/0-1/2 | 150-10 | 10.1 | 13.7 | |

Note 1: The recommended ring lug connector listing consists of wire size – screw size format. The wire sizes are in AWG or mm² format. For AWG wire sizes, bolt sizes for the ring lug centers are: #10, #12, 1/4", 5/16", and 1/2". For metric wire sizes, bolt sizes for the ring lug centers are: 6 = 6M, 8 = 8M, 10 = 10M.



TIP: AWG = American Wire Gauge. Smaller numbers represent increasing wire thickness. kcmil = 1,000 circular mils, a measure of wire cross-sectional area
mm² = square millimeters, a measure of wire cross-sectional area

Terminal dimensions and torque specs, continued...

| Input Voltage | Motor Output | | 400V Inverter Models | Screw size of terminal | Ring lug connector *1 | | Torque | |
|---------------|--------------|---------------|-------------------------|---------------------------|-----------------------|-------------------------|--------|-------|
| | HP | kW | | | (AWG-bolt) | (mm ² -bolt) | ft-lbs | (N-m) |
| 400V | 1 | 0.75 | SJ300-007HFU/E | M4 | 20-#10 | 1.25-4 | 1.1 | 1.5 |
| | 2 | 1.5 | SJ300-015HFU/E | M4 | 14-#10 | 2-4 | 1.1 | 1.5 |
| | 3 | 2.2 | SJ300-022HFU/E | M4 | 14-#10 | 2-4 | 1.1 | 1.5 |
| | 5 | 4.0 | SJ300-040HFU/E | M4 | 14-#10 | 2-4 | 1.1 | 1.5 |
| | 7.5 | 5.5 | SJ300-055HFU/E | M5 | 14-#12 | 2-5 | 1.8 | 2.5 |
| | 10 | 7.5 | SJ300-075HFU/E | M5 | 10-#12 | 3.5-5 | 1.8 | 2.5 |
| | 15 | 11 | SJ300-110HFU/E | M6 | 8-1/4 | 5.5-6 | 3.6 | 4.9 |
| | 20 | 15 | SJ300-150HFU/E | M6 | 6-1/4 | 8-6 | 3.6 | 4.9 |
| | 25 | 18.5 | SJ300-185HFU/E | M6 | 4-1/4 | 14-6 | 3.6 | 4.9 |
| | 30 | 22 | SJ300-220HFU/E | M6 | 4-1/4 | 14-6 | 3.6 | 4.9 |
| | 40 | 30 | SJ300-300HFU/E | M6 | 2-1/4 | 22-6 | 3.6 | 4.9 |
| | 50 | 37 | SJ300-370HFU/E | M6 | 1-1/4 | 38-6 | 3.6 | 4.9 |
| | 60 | 45 | SJ300-450HFU/E | M8 | 1/0-5/16 | 38-8 | 6.5 | 8.8 |
| | 75 | 55 | SJ300-550HFU/E | M8 | 2-5/16 | 60-8 | 6.5 | 8.8 |
| | 100 | 75 | SJ300-750HFU/E | M8 | 1-1/2 | 100-10 | 6.5 | 8.8 |
| | 125 | 90 | SJ300-900HFU/E | M10 | 1/0-1/2 | 100-10 | 10.1 | 13.7 |
| | 150 | 110 | SJ300-110HFU/E | M10 | 1/0-1/2 | 150-10 | 10.1 | 13.7 |
| 175 | 132 | SJ300-1320HFE | M10 | 2/0-1/2 | 80x2-10 | 10.1 | 13.7 | |
| 200 | 150 | SJ300-1500HFU | M10 | 2/0-1/2 | 80x2-10 | 10.1 | 13.7 | |

Note 1: The recommended ring lug connector listing consists of wire size – screw size format. The wire sizes are in AWG or mm² format. For AWG wire sizes, bolt sizes for the ring lug centers are: #10, #12, 1/4", 5/16", and 1/2". For metric wire sizes, bolt sizes for the ring lug centers are: 6 = 6M, 8 = 8M, 10 = 10M.

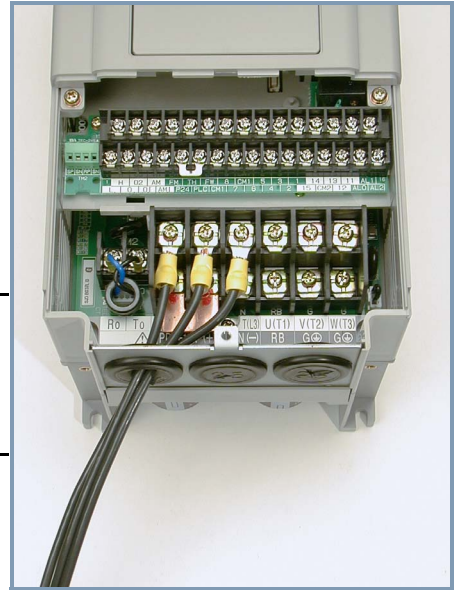
6

Wire the Inverter Input to a Supply

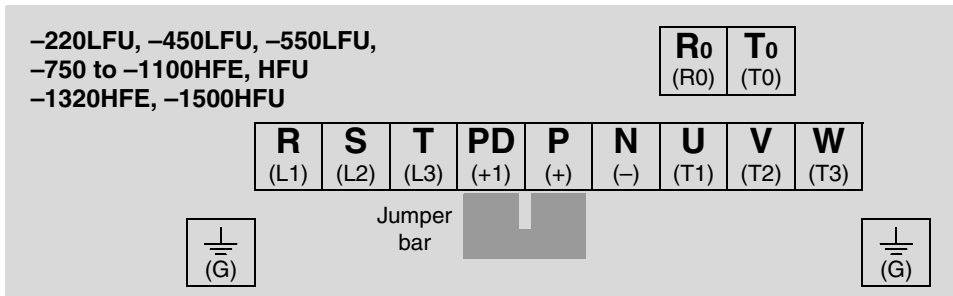
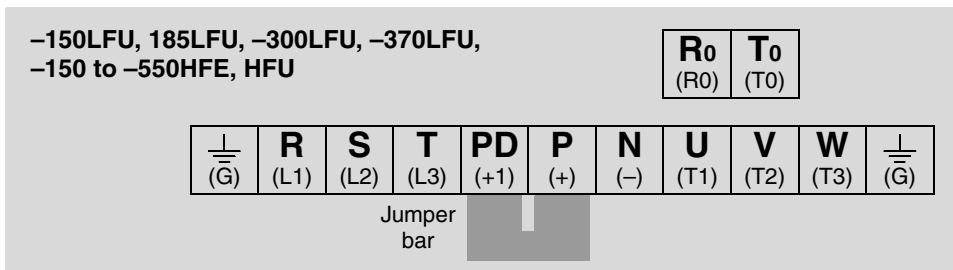
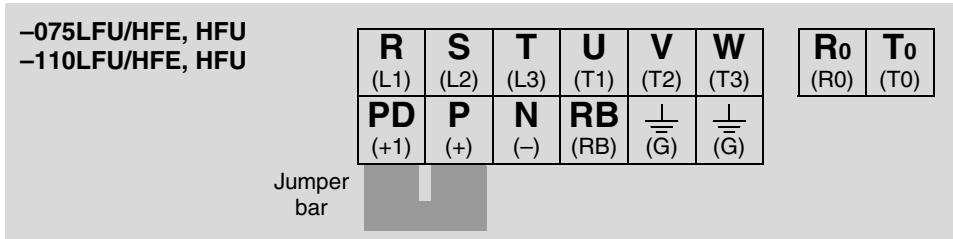
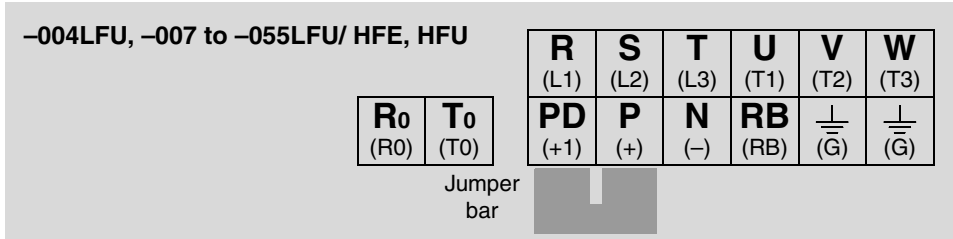


Step 6: In this step, you will connect wiring to the input of the inverter. All models have the same power connector terminals [R(L1)], [S(L2)], and [T(L3)] for three-phase input. The three phases may be connected in any order, as they are isolated from chassis ground and do not determine motor direction of rotation. **Please refer to the specifications label (on the front or side of the inverter) for the acceptable input voltage ranges!**

NOTE: The wiring example to the right shows an SJ300-037LFU inverter. The terminal locations will vary, depending on the inverter model (see below). Note the use of ring lug connectors for a secure connection.



Please use the terminal arrangement below corresponding to your inverter model.





NOTE: An inverter powered by a portable or emergency diesel power generator may result in a distorted power waveform, overheating the generator. In general, the generator capacity should be at least five times that of the inverter (kVA).



CAUTION: Be sure that the input voltage matches the inverter specifications:

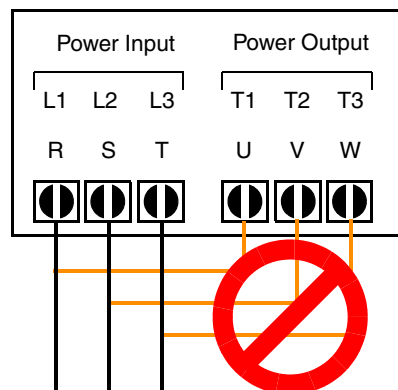
- Three phase 200 to 240V 50/60Hz
- Three phase 380 to 480V 50/60Hz



CAUTION: Be sure not to power a three-phase-only inverter with single phase power. Otherwise, there is the possibility of damage to the inverter and the danger of fire.



CAUTION: Be sure not to connect an AC power supply to the output terminals. Otherwise, there is the possibility of damage to the inverter and the danger of injury and/or fire.



NOTE:

L1, L2, L3:

Three-phase 200 to 240V 50/60 Hz
Three-phase 380 to 480V 50/60 Hz



CAUTION: Remarks for using ground fault interrupter breakers in the main power supply: Adjustable frequency inverters with CE-filters (RFI-filter) and shielded (screened) motor cables have a higher leakage current toward Earth GND. Especially at the moment of switching ON this can cause an inadvertent trip of ground fault interrupter breakers. Because of the rectifier on the input side of the inverter there is the possibility to stall the switch-off function through small amounts of DC current. Please observe the following:

- Use only short time-invariant and pulse current-sensitive ground fault interrupter breakers with higher trigger current.
- Other components should be secured with separate ground fault interrupter breakers.
- Ground fault interrupter breakers in the power input wiring of an inverter are not an absolute protection against electric shock.



CAUTION: Be sure to install a fuse in each phase of the main power supply to the inverter. Otherwise, there is the danger of fire.



CAUTION: For motor leads, ground fault interrupter breakers and electromagnetic contactors, be sure to size these components properly (each must have the capacity for rated current and voltage). Otherwise, there is the danger of fire.

7

Wire the Inverter Output to Motor

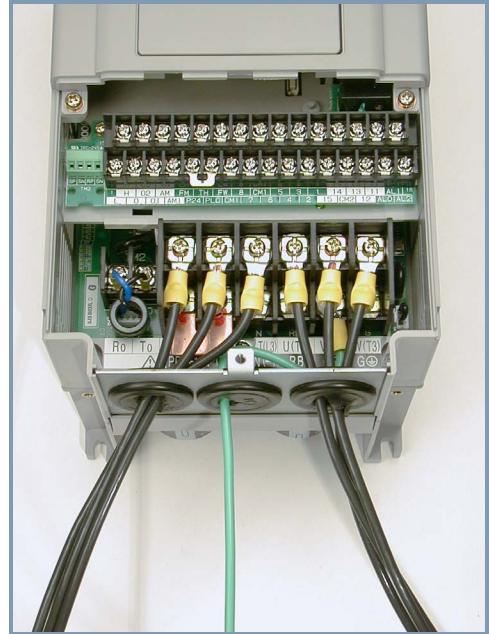
Step 7: The process of motor selection is beyond the scope of this manual. However, it must be a three-phase AC induction motor. It should also come with a chassis ground lug. If the motor does not have three power input leads, stop the installation and verify the motor type. Other guidelines for wiring the motor include:

- Use an inverter-grade motor for maximum motor life (1600V insulation).
- For standard motors, use an output filter if the wiring between the inverter and motor exceeds 10 meters in length.

Simply connect the motor to the terminals [U/T1], [V/T2], and [W/T3] indicated on the inverter to the right. This is a good time to connect the chassis ground lug on the drive as well. The motor chassis ground must also connect to the same point. Use a star ground (single-point) arrangement, and never daisy-chain the grounds (point-to-point).

Use the same wire gauge on the motor and chassis ground wiring as you used on the power input wiring in the previous step. After completing the wiring:

- Check the mechanical integrity of each wire crimp and terminal connection.
- Replace the front panel and secure the retention screw firmly.



To Power Source

To Chassis Ground

To Motor

Logic Control Wiring

After completing the initial installation and powerup test in this chapter, you may need to wire the logic signal connector for your application. For new inverter users/applications, we highly recommend that you first complete the powerup test in this chapter without adding any logic control wiring. Then you will be ready to set the required parameters for logic control as covered in Chapter 4, Operations and Monitoring.

8

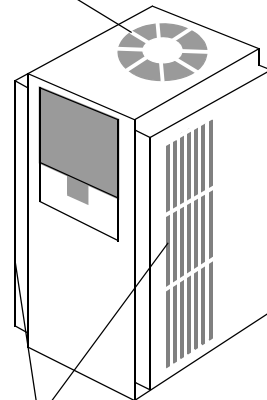
Uncover the Inverter Vents

Step 8: After mounting and wiring the inverter, remove any protective material covering the inverter ventilation openings from Step 3. This includes covers over the side ventilation ports as well as the fan outlet area.



CAUTION: Failure to remove all vent opening covers before electrical operation may result in damage to the inverter.

Uncover the fan outlet vents



Uncover the ventilation slots, both sides

Powerup Test



Perform the Powerup Test

Goals for the Powerup Test

Pre-test and Operational Precautions



Step 9: After wiring the inverter and motor, you're ready to do a powerup test. The procedure that follows is designed for the first-time use of the drive. Please verify the following conditions before conducting the powerup test:

- You have followed all the steps in this chapter up to this step.
- The inverter is new, and is securely mounted to a non-flammable vertical surface
- The inverter is connected to a power source and motor.
- No additional wiring of inverter connectors or terminals has been done.
- The power supply is reliable, and the motor is a known working unit, and the motor nameplate ratings match the inverter ratings.
- The motor is securely mounted, and is not connected to any load.

If there are any exceptions to the above conditions at this step, please take a moment to take any measures necessary to reach this basic starting point. The specific goals of this powerup test are:

1. Verify that the wiring to the power supply and motor is correct.
2. Demonstrate that the inverter and motor are generally compatible.
3. Give a brief introduction to the use of the built-in operator keypad.

The powerup test gives you an important starting point to ensure a safe and successful application of the Hitachi inverter. We highly recommend performing this test before proceeding to the other chapters in this manual.

The following instructions apply to the powerup test, or to any time the inverter is powered and operating. Please study the following instructions and messages before proceeding with the powerup test.

1. The power supply must have fusing suitable for the load. Check the fuse size chart presented in Step 5, if necessary.
2. Be sure you have access to a disconnect switch for the drive input power if necessary. However, do not turn OFF power to the inverter during its operation unless it is an emergency.
3. Turn the inverter's front panel potentiometer (if it exists) to the *MIN* position (fully counter-clockwise).

CAUTION: The heat sink fins will have a high temperature. Be careful not to touch them. Otherwise, there is the danger of getting burned.

CAUTION: The operation of the inverter can be easily changed from low speed to high speed. Be sure to check the capability and limitations of the motor and machine before operating the inverter. Otherwise, there is the danger of injury.



CAUTION: If you operate a motor at a frequency higher than the inverter standard default setting (50Hz/60Hz), be sure to check the motor and machine specifications with the respective manufacturer. Only operate the motor at elevated frequencies after getting their approval. Otherwise, there is the danger of equipment damage and/or injury to personnel.



CAUTION: Check the following before and during the powerup test. Otherwise, there is the danger of equipment damage.

- Is the shorting bar between the [P] and [PD] terminals installed? DO NOT power or operate the inverter if the jumper is removed.
 - Is the direction of the motor rotation correct?
 - Did the inverter trip during acceleration or deceleration?
 - Were the rpm and frequency meter readings as expected?
 - Were there any abnormal motor vibrations or noise?
-

Powering the Inverter

If you have followed all the steps, cautions and warnings up to this point, you're ready to apply power. After doing so, the following events should occur:

- The *POWER* LED will illuminate.
- The numeric (7-segment) LEDs will display a test pattern, then stop at *0.0*.
- The *Hz* LED will be ON.

If the motor starts running unexpectedly or any other problem occurs, press the *STOP* key. Only if necessary should you remove power to the inverter as a remedy.

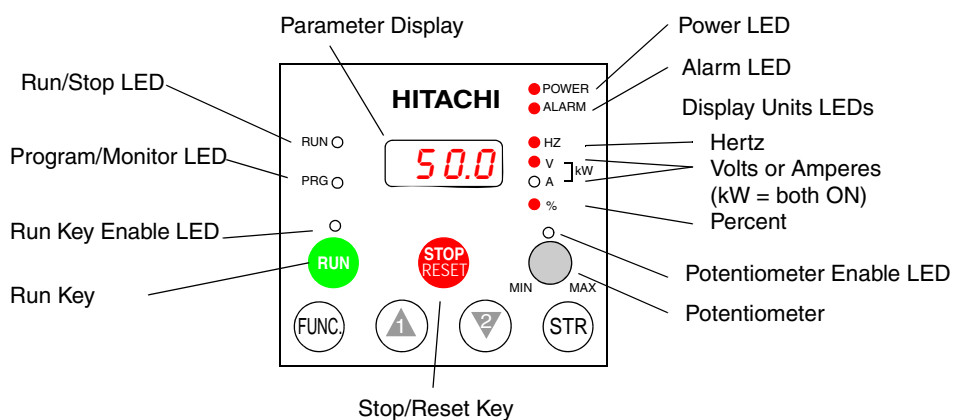


NOTE: If the inverter has been previously powered and programmed, the LEDs (other than the *POWER* LED) may illuminate differently than as indicated above. If necessary, you can initialize all parameters to the factory default settings. See [“Restoring Factory Default Settings” on page 6-9](#).

Using the Front Panel Keypad

Front Panel Introduction

Please take a moment to familiarize yourself with the keypad layout shown in the figure below.



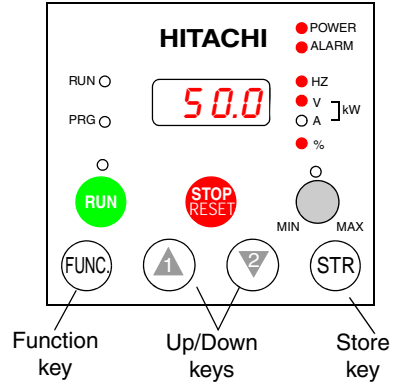
The display is used in programming the inverter's parameters, as well as monitoring specific parameter values during operation. Many functions are applicable only during the initial installation, while others are more useful for maintenance or monitoring.

Parameter Editing and Controls

The front panel controls and indicators are described as follows:

- **Run/Stop LED** – ON when the inverter output is ON and the motor is developing torque, and OFF when the inverter output is OFF (Stop Mode).
- **Program/Monitor LED** – This LED is ON when the inverter is ready for parameter editing (Program Mode). It is normally OFF when the parameter display is monitoring data (Monitor Mode). However, the PRG LED will be ON whenever you are monitoring the value of parameter D001. (When the keypad is enabled as the frequency source via A001=02, you can edit the inverter frequency directly from D001 monitor display by using the Up/Down keys.)
- **Run Key Enable LED** – is ON when the inverter is ready to respond to the Run key, OFF when the Run key is disabled.
- **Run Key** – Press this key to run the motor (the Run Enable LED must be ON first). Parameter F004, Keypad Run Key Routing, determines whether the Run key generates a Run FWD or Run REV command.
- **Stop/Reset Key** – Press this key to stop the motor when it is running (uses the programmed deceleration rate). This key will also reset an alarm that has tripped.
- **Potentiometer** (OPE–SRE only) – allows an operator to directly set the motor speed when the potentiometer is enabled for output frequency control.
- **Potentiometer Enable LED** – ON when the potentiometer is enabled for value entry. (OPE–SRE only).
- **Parameter Display** – a 4-digit, 7-segment display for parameters and function codes.
- **Display Units: Hertz/Volts/Amperes/kW/%** – These LEDs indicate the units associated with the parameter display. When the display is monitoring a parameter, the appropriate LED is ON. In the case of kW units, both Volts and Amperes LEDs will be ON. An easy way to remember this is that $kW = (V \times A)/1000$.
- **Power LED** – This LED is ON when the power input to the inverter is ON.
- **Alarm LED** – This LED is ON when an alarm condition has tripped the inverter. Clearing the alarm will turn this LED OFF again. See Chapter 6 for details on clearing alarms.

- **Function Key** – This key is used to navigate through the lists of parameters and functions for setting and monitoring parameter values.
- **Up/Down (Δ , ∇) Keys** – Use these keys alternately to move up or down the lists of parameter and functions shown in the display, and increment/decrement values.
- **Store (STR) Key** – When the unit is in Program Mode and the operator has edited a parameter value, press the Store key to write the new value to the EEPROM. This parameter is then displayed at powerup by default. If you want to change the powerup default, navigate to a new parameter value and press the Store key.



Keys, Modes, and Parameters

Purpose of the keypad is to provide a way to change modes and parameters. The term *function* applies to both monitoring modes and parameters. These are all accessible through *function codes* that are primarily 3 or 4-character codes. The various functions are separated into related groups identifiable by the left-most character, as the table shows.

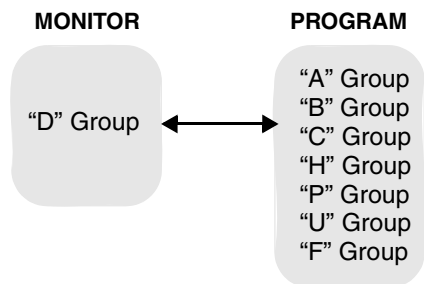
| Function Group | Type (Category) of Function | Mode to Access | PGM LED Indicator |
|----------------|--------------------------------|----------------|---|
| “D” | Monitoring functions | Monitor | <input type="radio"/> or <input checked="" type="radio"/> |
| “F” | Main profile parameters | Program | <input checked="" type="radio"/> |
| “A” | Standard functions | Program | <input checked="" type="radio"/> |
| “B” | Fine tuning functions | Program | <input checked="" type="radio"/> |
| “C” | Intelligent terminal functions | Program | <input checked="" type="radio"/> |
| “H” | Motor constant functions | Program | <input checked="" type="radio"/> |
| “P” | Expansion card functions | Program | <input checked="" type="radio"/> |
| “U” | User-selectable menu functions | Monitor | <input type="radio"/> |
| “E” | Error codes | — | — |

For example, function “A004” is the *base frequency setting* for the motor, typically 50 Hz or 60 Hz. To edit the parameter, the inverter must be in Program Mode (PGM LED will be ON). You use the front panel keys to first select the function code “A004.” After displaying the value for “A004,” use the Up/Down (Δ or ∇) keys to edit the value.



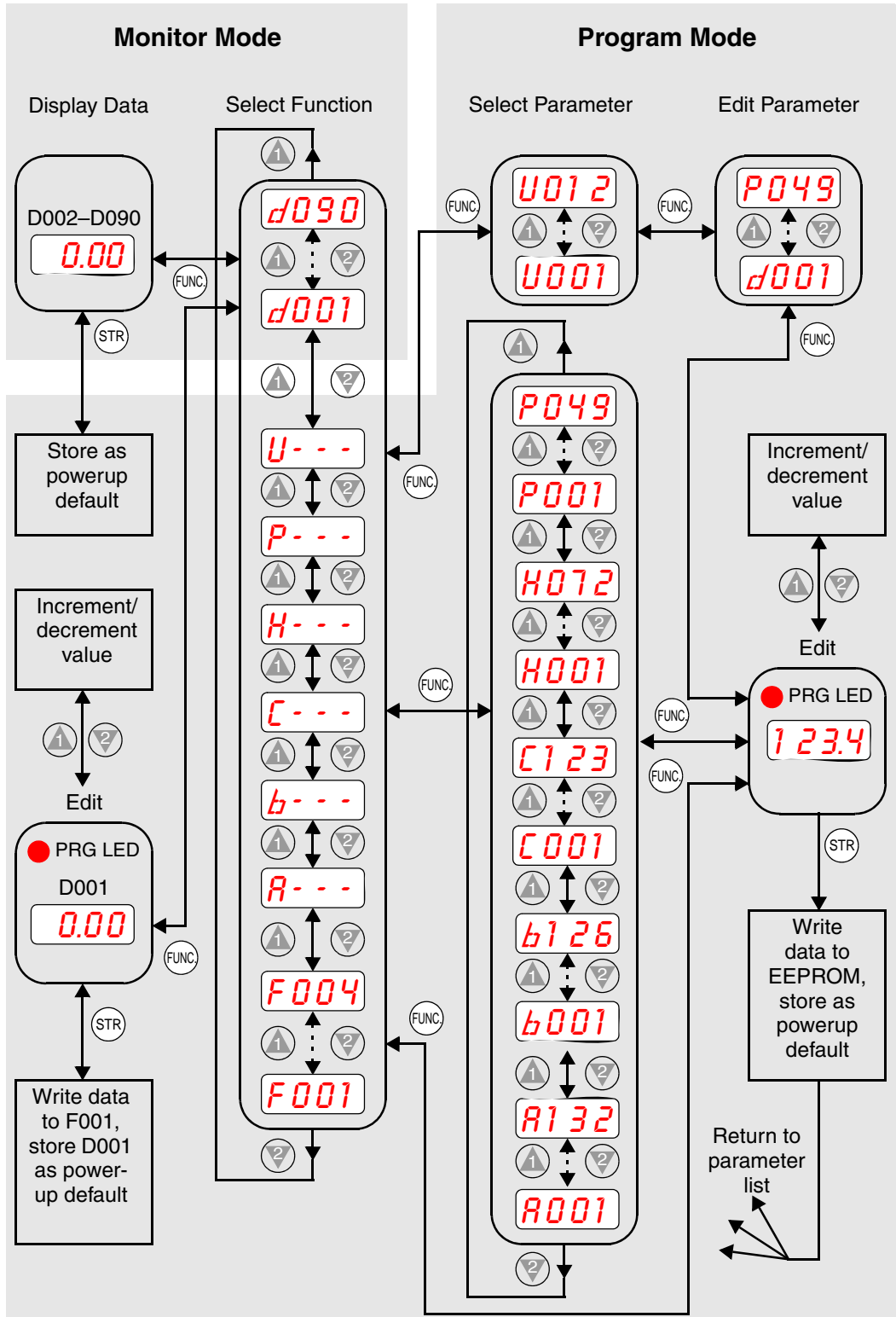
NOTE: The inverter 7-segment display shows lower case “b” and “d”, meaning the same as the upper case letters “B” and “D” used in this manual (for uniformity “A to F”).

The inverter automatically switches into Monitor Mode when you access “D” Group functions. It switches into Program Mode when you access any other group, because they all have editable parameters. Error codes use the “E” Group, and appear automatically when a fault event occurs. Refer to [“Monitoring Trip Events, History, & Conditions” on page 6-5](#) for error code details.



Keypad Navigational Map

The SJ300 Series inverter drives have many programmable functions and parameters. Chapter 3 will cover these in detail, but you need to access just a few items to perform the powerup test. The menu structure makes use of function codes and parameter codes to allow programming and monitoring with only a 4-digit display and a few keys and LEDs. So, it is important to become familiar with the basic navigational map of parameters and functions in the diagram below. You can later use this map as a reference.



Inverter Mounting and Installation

Selecting Functions and Editing Parameters

In order to run the motor for the powerup test, this section will show how to:

- select the inverter's maximum output frequency to the motor
- select the keypad potentiometer as the source of motor speed command
- select the keypad as the source of the RUN command
- set the number of poles for the motor
- enable the RUN command

The following series of programming tables are designed for successive use. Each table uses the previous table's final state as the starting point. Therefore, start with the first and continue programming until the last one. If you get lost or concerned that some of the other parameters settings may be incorrect, refer to [“Restoring Factory Default Settings” on page 6-9.](#)



CAUTION: If you operate a motor at a frequency higher than the inverter standard default setting (50Hz/60Hz), be sure to check the motor and machine specifications with the respective manufacturer. Only operate the motor at elevated frequencies after getting their approval. Otherwise, there is the danger of equipment damage.

Setting the Motor Base Frequency -The motor is designed to operate at a specific AC frequency. Most commercial motors are designed for 50/60 Hz operation. First, check the motor specifications. Then follow the steps in the table below to verify the setting or correct for your motor. DO NOT set it for greater than 50/60 Hz unless the motor manufacturer specifically approves operation at the higher frequency.

| Action | Display | Func./Parameter |
|---|------------|--|
| Press the (FUNC) key. | | Monitor functions |
| Press the (▲) or (▼) keys until -> | | “A” Group selected |
| Press the (FUNC) key. | | First “A” parameter |
| Press the (▲) key twice. | | Base frequency setting |
| Press the (FUNC) key. | or | Default value for base frequency US = 60 Hz, Europe = 50 Hz |
| Press the (▲) or (▼) key as needed. | | Set to your motor specs (your display may be different) |
| Press the (STR) key. | | Stores parameter, returns to “A” Group list |











TIP: If you need to scroll through a function or parameter list, press and hold the **(▲)** or **(▼)** key to auto-increment through the list.









Select the Potentiometer for Speed Command - The motor speed may be controlled from the following sources:

- Potentiometer on front panel keypad (if present)
- Control terminals
- Remote panel

Then follow the steps in the table below to select the potentiometer for the speed command (the table resumes action from the end of the previous table).

| Action | Display | Func./Parameter |
|--|---|--|
| Press the  key twice. |  | Speed command source setting |
| Press the  key. |  | 0 = potentiometer 1 = control terminals (default) 2 = keypad |
| Press the  key. |  | 0 = potentiometer (selected) |
| Press the  key. |  | Stores parameter, returns to “A” Group list |

Select the Keypad for the RUN Command - The RUN command causes the inverter to accelerate the motor to the selected speed. You can program the inverter to respond to either the control terminal signal or the keypad RUN key. Follow the steps in the table below to select the front panel RUN key as the source for the RUN Command (the table resumes action from the end of the previous table).




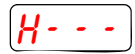











| Action | Display | Func./Parameter |
|--|---|---|
| Press the  key. |  | Run command source |
| Press the  key. |  | 1 = control terminals (default) 2 = keypad |
| Press the  key. |  | 2 = keypad (selected) |
| Press the  key. |  | Stores parameter, returns to “A” Group list |



NOTE: When you press the STR key in the last step above (and the display = 02), the Run Enable LED above the RUN switch on the keypad will turn ON. This is normal, and does not mean the motor is trying to run. It means that the RUN key is now enabled. **DO NOT** press the RUN key at this time—finish out the programming exercise first.

Configure the Inverter for the Number of Motor Poles- The number of magnetic poles of a motor is determined by the motor's internal winding arrangement. The specifications label on the motor usually indicates its number of poles. For proper operation, verify the parameter setting matches the motor poles. Many industrial motors have four poles, corresponding to the default setting in the inverter.

Follow the steps in the table below to verify the motor poles setting and change it if necessary (the table resumes action from the end of the previous table.)

| Action | Display | Func./Parameter |
|---|--|--|
| Press the  key. |  | "A" Group selected |
| Press the  key three times. |  | "H" Group selected |
| Press the  key. |  | First "H" parameter |
| Press the  key five times. |  | Motor poles parameter |
| Press the  key. |  | 2 = 2 poles 4 = 4 poles (default) 6 = 6 poles 8 = 8 poles |
| Press the  or  key as needed. |  | Set to match your motor (your display may be different) |
| Press the  key. |  | Stores parameter, returns to "H" Group list |

This step concludes the parameter setups for the inverter. You are almost ready to run the motor for the first time!

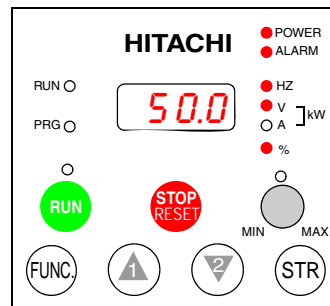


TIP: If you became lost during any of these steps, first observe the state of the PRG LED. Then study the ["Keypad Navigational Map" on page 2-25](#) to determine the current state of the keypad controls and display. As long as you do not press the STR key, no parameters will be changed by keypad entry errors. Note that power cycling the inverter will not cause it to reset to a particular programming state.

The next section will show you how to monitor a particular parameter from the display. Then you will be ready to run the motor.

Monitoring Parameters with the Display

After using the keypad for parameter editing, it's a good idea to switch the inverter from Program Mode to Monitor Mode. This will turn out the PRG LED, and the Hertz, Volt, Ampere, or % LED indicates the display units.



For the powerup test, monitor the motor speed indirectly by viewing the inverter's output frequency. The *output frequency* must not be confused with *base frequency* (50/60 Hz) of the motor, or the *carrier frequency* (switching frequency of the inverter, in the kHz range). The monitoring functions are in the "D" list, located near the top left of the diagram in the ["Keypad Navigational Map" on page 2-25](#).

Output frequency (speed) monitor - Resuming the keypad programming from the previous table, follow the steps in the table below.

| Action | Display | Func./Parameter |
|-----------------|---------|----------------------------|
| Press the key. | | "H" Group selected |
| Press the key. | | Output frequency selected |
| Press the key. | | Output frequency displayed |

When the *d001* function code appeared, the PRG LED went OFF. This confirms the inverter is no longer in programming mode, even while you are selecting the particular monitoring parameter. After pressing the FUNC. key, the display shows the current speed (is zero at this point).

Running the Motor

If you have programmed all the parameters up to this point, you're ready to run the motor! First, review this checklist:

1. Verify the Power LED is ON. If not, check the power connections.
2. Verify the Run Key Enable LED is ON. If not, review the programming steps to find the problem.
3. Verify the PRG LED is OFF. If it is ON, review the instructions above.
4. Make sure the motor is disconnected from any mechanical load.
5. Turn the potentiometer to the MIN position (completely counterclockwise).
6. Now, press the RUN key on the keypad. The RUN LED will turn ON.
7. Slowly increase the potentiometer setting in clockwise fashion. The motor should start turning when the indicator is in the 9:00 position and beyond.
8. Press the STOP key to stop the motor rotation.



10

Powerup Test Observations and Summary

Step 10: Reading this section will help you make some useful observations when first running the motor.

Error Codes - If the inverter displays an error code (LED format is “*EXX*”), see [“Monitoring Trip Events, History, & Conditions” on page 6-5](#) to interpret and clear the error.

Acceleration and Deceleration - The SJ300 inverter has programmable acceleration and deceleration values. The test procedure left these at the default value, 10 seconds. You can observe this by setting the potentiometer at about half speed before running the motor. Then press RUN, and the motor will take 5 seconds to reach a steady speed. Press the STOP key to see a 5 second deceleration to a stop.

State of Inverter at Stop - If you adjust the motor’s speed to zero, the motor will slow to a near stop, and the inverter turns the outputs OFF. The high-performance SJ300 can rotate at a very slow speed with high torque output, but not zero (must use servo systems with position feedback for that feature). This characteristic means you must use a mechanical brake for some applications.

Interpreting the Display - First, refer to the output frequency display readout. The maximum frequency setting (parameter A004) defaults to 50 Hz or 60 Hz (Europe and United States, respectively) for your application.

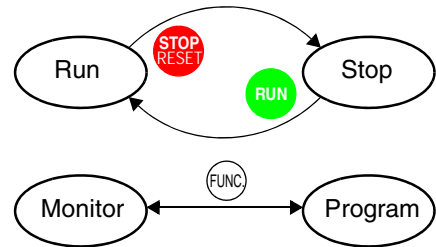
Example: Suppose a 4-pole motor is rated for 60 Hz operation, so the inverter is configured to output 60 Hz at full scale. Use the following formula to calculate the RPM.

$$\text{RPM} = \frac{\text{Frequency} \times 60}{\text{Pairs of poles}} = \frac{\text{Frequency} \times 120}{\# \text{ of poles}} = \frac{60 \times 120}{4} = 1800\text{RPM}$$

The theoretical speed for the motor is 1800 RPM (synchronous speed). However, an induction motor cannot generate torque unless its shaft turns at a slightly different speed. This difference is called *slip*. So it’s common to see a rated speed of approximately 1750 RPM on a 60 Hz, 4-pole motor. Using a tachometer to measure shaft speed, you can see the difference between the inverter output frequency and the actual motor speed. The slip increases slightly as the motor’s load increases. This is why the inverter output value is called “frequency,” since it is not exactly equal to motor speed. You can program the inverter to display output frequency in units more directly related to the load speed by entering a constant (discussed more in depth on page 3-41).

Run/Stop Versus Monitor/Program Modes –

The Run LED on the inverter is ON in Run Mode, and OFF in Stop Mode. The Program LED is ON when the inverter is in Program Mode, and OFF for Monitor Mode. All four mode combinations are possible. The diagram to the right depicts the modes and the mode transitions via keypad.



NOTE: Some factory automation devices such as PLCs have alternate Run/Program modes; the device is in either one mode or the other. In the Hitachi inverter, however, Run Mode alternates with Stop Mode, and Program Mode alternates with Monitor Mode. This arrangement lets you program some values while the inverter is operating—providing flexibility for maintenance personnel.

Configuring Drive Parameters



3

In This Chapter....

page

| | |
|---|--------------------|
| — Choosing a Programming Device | 2 |
| — Using Keypad Devices | 3 |
| — “D” Group: Monitoring Functions | 6 |
| — “F” Group: Main Profile Parameters | 8 |
| — “A” Group: Standard Functions | 9 |
| — “B” Group: Fine-Tuning Functions | 29 |
| — “C” Group: Intelligent Terminal Functions | 47 |
| — “H” Group: Motor Constants Functions | 62 |
| — “P” Group: Expansion Card Functions | 65 |
| — “U” Group: User-selectable Menu Functions | 67 |
| — Programming Error Codes | 68 |

Choosing a Programming Device

Introduction

Hitachi variable frequency drives (inverters) use the latest electronics technology for getting the right AC waveform to the motor at the right time. The benefits are many, including energy savings and higher machine output or productivity. The flexibility required to handle a broad range of applications has required ever more configurable options and parameters—inverters are now a complex industrial automation component. And this can make a product seem difficult to use, but the goal of this chapter is to make this easier for you.

As the powerup test in Chapter 2 demonstrated, you do not have to program very many parameters to run the motor. In fact, most applications would benefit only from programming just a few, specific parameters. This chapter will explain the purpose of each set of parameters, and help you choose the ones that are important to your application.

If you are developing a new application for the inverter and a motor, finding the right parameters to change is mostly an exercise in optimization. Therefore, it is okay to begin running the motor with a loosely tuned system. By making specific, individual changes and observing their effects, you can achieve a finely tuned system. And, the SJ300 Series inverters have a built-in auto-tuning algorithm to set certain motor parameters.

The front panel keypad is the first and best way to get to know the inverter's capabilities. Every function or programmable parameter is accessible from the keypad. All keypads have the same basic layout, but with different features. The OPE-SRE has a potentiometer knob for frequency setting input. The SRW-0EX Read/write Copy Unit has the ability to upload (copy) or download (write) all inverter parameter data to/from memory in the copy unit itself. This unit is useful in transferring one inverter's settings to another.

The following table shows various programming options, the features unique to each device, and the cables required.

| Device | Part Number | Parameter Access | Parameter setting storage | Cables (for optional external mounting) | |
|-----------------------------------|-------------|---|------------------------------------|---|----------|
| | | | | Part number | Length |
| Inverter keypad, U.S. version | OPE-SRE | Monitor and program | EEPROM in inverter | ICS-1 | 1 meter |
| | | | | ICS-3 | 3 meters |
| Inverter keypad, European version | OPE-S | Monitor and program | EEPROM in inverter | Use same two cables as above | |
| Read/write Copy Unit with Keypad | SRW-0EX | Monitor and program; read or write all data | EEPROM in inverter or in copy unit | Use same two cables as above | |



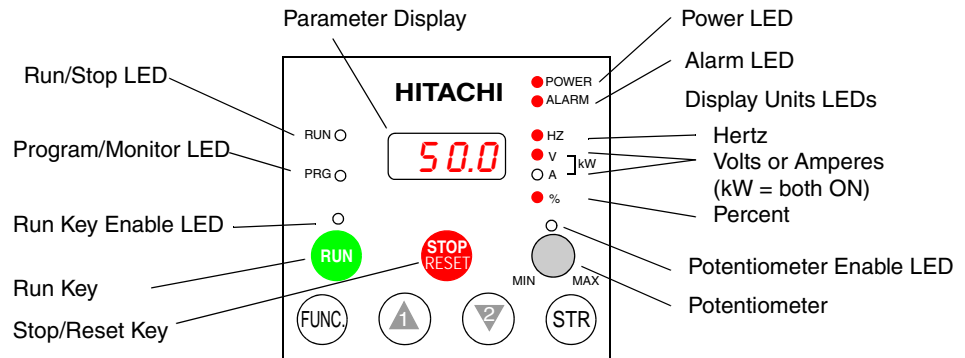
TIP: Other special-purpose keypads are available, such as ones to serve the needs of the HVAC market (heating, ventilating & air conditioning). Please contact your Hitachi distributor for details.

Inverter Programming Keypads

Using Keypad Devices

Inverter Front Panel Keypad

The SJ300 Series inverter front keypad contains all the elements for both monitoring and programming parameters. The keypad layout (OPE-SRE) is shown below. All other programming devices for the inverter have a similar key arrangement and function.

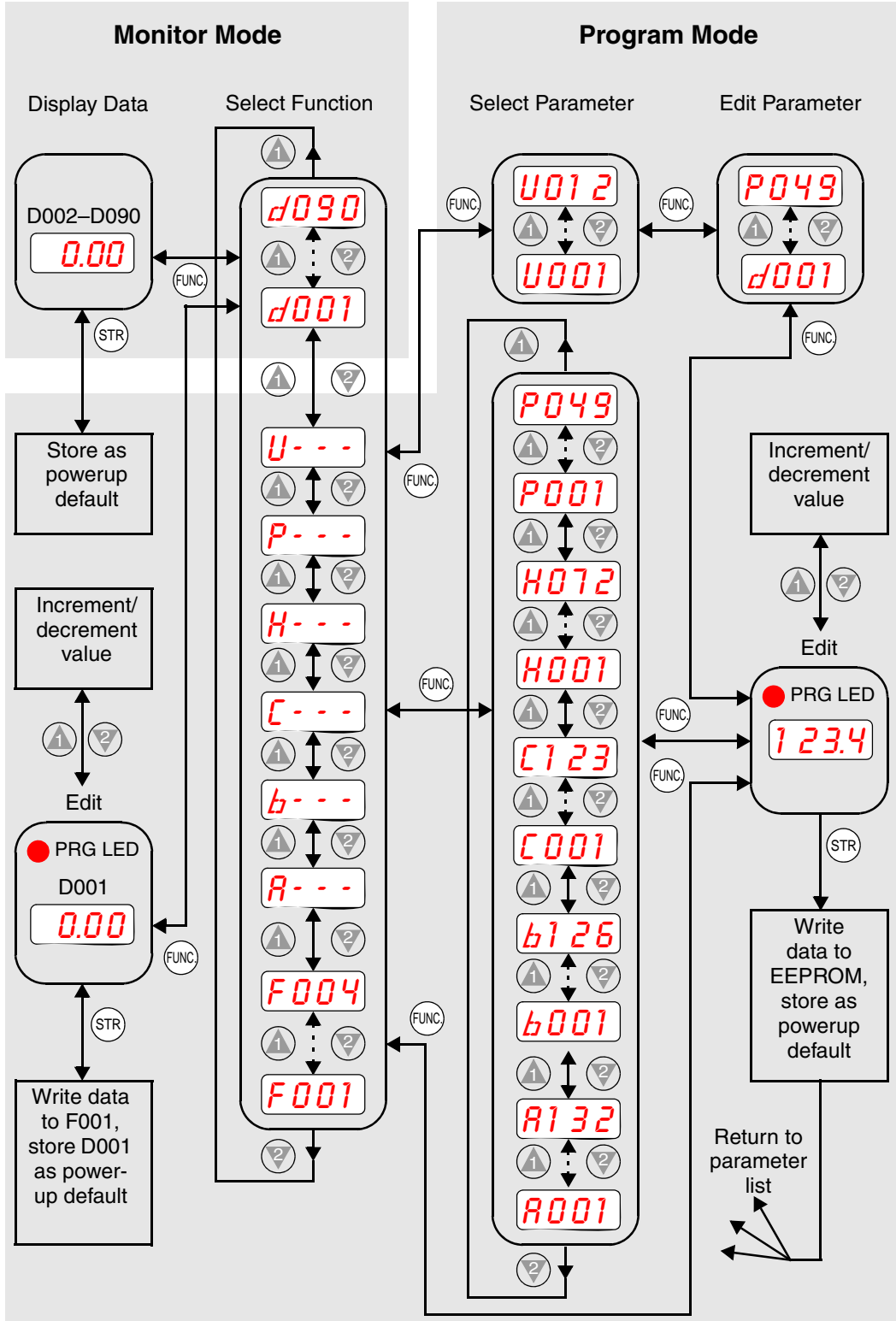


Key and Indicator Legend

- **Run/Stop LED** – ON when the inverter output is ON and the motor is developing torque, and OFF when the inverter output is OFF (Stop Mode).
- **Program/Monitor LED** – This LED is ON when the inverter is ready for parameter editing (Program Mode). It is normally OFF when the parameter display is monitoring data (Monitor Mode). However, the PRG LED will be ON whenever you are monitoring the value of parameter D001. (When the keypad is enabled as the frequency source via A001=02, you can edit the inverter frequency directly from D001 monitor display by using the Up/Down keys.)
- **Run Key** – Press this key to run the motor (the Run Enable LED must be ON first). Parameter F004, Keypad Run Key Routing, determines whether the Run key generates a Run FWD or Run REV command.
- **Run Key Enable LED** – is ON when the inverter is ready to respond to the Run key, OFF when the Run key is disabled.
- **Stop/Reset Key** – Press this key to stop the motor when it is running (uses the programmed deceleration rate). This key will also reset an alarm that has tripped.
- **Potentiometer** (OPE-SRE only) – allows an operator to directly set the motor speed when the potentiometer is enabled for output frequency control
- **Potentiometer Enable LED** – ON when the potentiometer is enabled for value entry (OPE-SRE only).
- **Parameter Display** – a 4-digit, 7-segment display for parameters and function codes.
- **Display Units: Hertz/Volts/Amperes/kW/%** - These LEDs indicate the units associated with the parameter display. When the display is monitoring a parameter, the appropriate LED is ON. In the case of kW units, both Volts and Amperes LEDs will be ON. An easy way to remember this is that $kW = (V \times A)/1000$.
- **Power LED** – This LED is ON when the power input to the inverter is ON.
- **Alarm LED** – This LED is ON when an alarm condition has tripped the inverter. Clearing the alarm will turn this LED OFF again. See Chapter 6 for details on clearing alarms.
- **Function Key** – This key is used to navigate through the lists of parameters and functions for setting and monitoring parameter values.
- **Up/Down (▲, ▼) Keys** – Use these keys to alternately move up or down the lists of parameter and functions shown in the display, and increment/decrement values.
- **Store (Ⓢ) Key** – When the unit is in Program Mode and the operator has edited a parameter value, press the Store key to write the new value to the EEPROM. This parameter is then displayed at powerup by default. If you want to change the powerup default, navigate to a new parameter value and press the Store key.

Keypad Navigational Map

Whether you use the keypad on the inverter or the read-write copy unit, each navigates the same way. The diagram below shows the basic navigational map of parameters and functions.



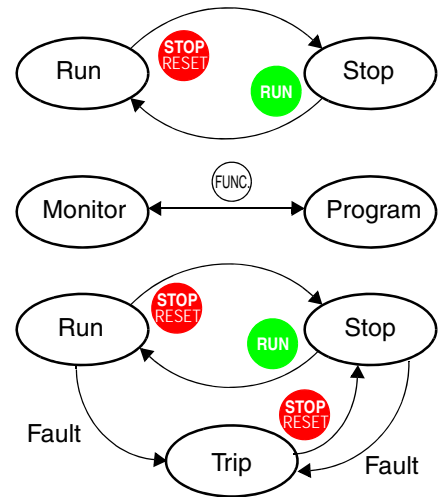
Configuring Drive Parameters



NOTE: The inverter 7-segment display shows lower case “b” and “d”, meaning the same as the upper case letters “B” and “D” used in this manual (for uniformity “A to F”).

Operational Modes

The RUN and PGM LEDs tell just part of the story; Run Mode and Program Modes are independent modes, not opposite modes. In the state diagram to the right, Run alternates with Stop, and Program Mode alternates with Monitor Mode. This is a very important ability, for it shows that a technician can approach a running machine and change some parameters without shutting down the machine.



The occurrence of a fault during operation will cause the inverter to enter the Trip Mode as shown. An event such as an output overload will cause the inverter to exit the Run Mode and turn OFF its output to the motor. In the Trip Mode, any request to run the motor is ignored. You must clear the error by pressing the Stop/Reset switch. See [“Monitoring Trip Events, History, & Conditions” on page 6-5](#).

Run Mode Edits

The inverter can be in Run Mode (inverter output is controlling motor) and still allow you to edit certain parameters. This is useful in applications that must run continuously, yet need some inverter parameter adjustment.

The parameter tables in this chapter have a column titled “Run Mode Edit.” An Ex mark ✘ means the parameter cannot be edited; a Check mark ✓ means the parameter can be edited. You’ll notice in the table example to the right the two adjacent marks: “✘ ✓”. The two marks (that can also be “✘ ✘” or “✓ ✓”) correspond to these levels of access to editing:

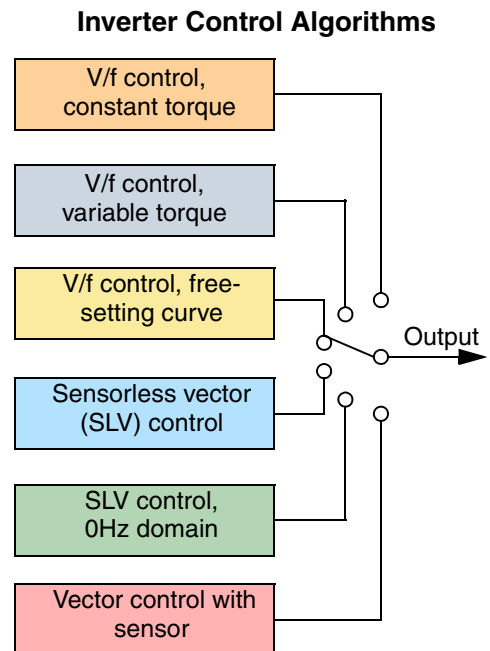
| | Run Mode Edit | |
|--|---------------|----|
| | Lo | Hi |
| | ✘ | ✓ |

- Low-access level to Run Mode edits (indicated by *left-most* mark)
- High-access level to Run Mode edits (indicated by *right-most* mark)

The Software Lock Setting (parameter B031) determines the particular access level that is in effect during Run Mode and access in other conditions, as well. It is the responsibility of the user to choose a useful and safe software lock setting for the inverter operating conditions and personnel. Please refer to [“Software Lock Mode” on page 3-36](#) for more information.

Control Algorithms

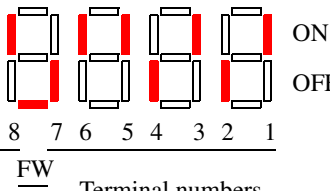
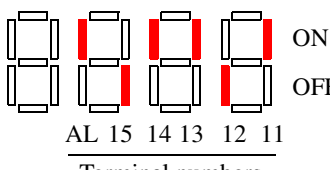
The motor control program in the SJ300 inverter has several sinusoidal PWM switching algorithms. The intent is that you select the best algorithm for the motor characteristics in your application. Each algorithm generates the frequency output in a unique way. Once configured, the algorithm is the basis for other parameter settings as well (see [“Torque Control Algorithms” on page 3-14](#)). Therefore, choose the best algorithm early in your application design process.



“D” Group: Monitoring Functions

Parameter Monitoring Functions

You can access important system parameter values with the “D” Group monitoring functions, whether the inverter is in Run Mode or Stop Mode. After selecting the function code number for the parameter you want to monitor, press the Function key once to show the value on the display. In Functions D005 and D006 the intelligent terminals use individual segments of the display to show ON/OFF status.

| “D” Function | | | Run Mode Edit | Range and Units | SRW Display |
|--------------|---|--|---------------|-----------------|------------------|
| Func. Code | Name | Description | | | |
| D001 | Output frequency monitor | Real-time display of output frequency to motor, from 0.0 to 400.0 Hz | — | 0.0 to 400.0 Hz | FM 0000.00Hz |
| D002 | Output current monitor | Filtered display of output current to motor (100 mS internal filter time constant) | — | A | Iout 0000.0A |
| D003 | Rotation direction monitor | Three different indications: “F”. Forward “o”. Stop “r” Reverse | — | — | Dir STOP |
| D004 | Process variable (PV), PID feedback monitor | Displays the scaled PID process variable (feedback) value (A75 is scale factor) | — | — | PID-FB 0000.00% |
| D005 | Intelligent input terminal status | Displays the state of the intelligent input terminals:  Terminal numbers | — | — | IN-TM LLLLLLLLLL |
| D006 | Intelligent output terminal status | Displays the state of the intelligent output terminals:  Terminal numbers | — | — | OUT-TM LLLLLL |
| D007 | Scaled output frequency monitor | Displays the output frequency scaled by the constant in B86. Decimal point indicates range: XX.XX 0.00 to 99.99 XXX.X 100.0 to 999.9 XXXX. 1000 to 9999 XXXXX 10000 to 99990 | — | User-defined | F-CHV 000000.00 |
| D012 | Torque monitor | Estimated output torque value, range is -300.0 to +300.0% | — | % | TRQ +000% |
| D013 | Output voltage monitor | Voltage of output to motor, range is 0.0 to 600.0V | — | VAC | Vout 000.0V |

| “D” Function | | | Run Mode Edit | Range and Units | SRW Display |
|--------------|---------------------------------------|---|---------------|-----------------|---------------|
| Func. Code | Name | Description | | | |
| D014 | Power monitor | 0.0 to 999.9 | — | kW | Power 000.0kW |
| D016 | Cumulative operation RUN time monitor | Displays total time the inverter has been in RUN mode in hours. Range is 0 to 9999 / 1000 to 9999/ 100 to 999 (10,000 to 99,900) hrs. | — | hours | RUN 0000000hr |
| D017 | Cumulative power-on time monitor | Displays total time the inverter has had input power (ON) in hours. Range is: 0 to 9999 / 100.0 to 999.9 / 1000 to 9999 / 100 to 999 hrs. | — | hours | ON 0000000hr |

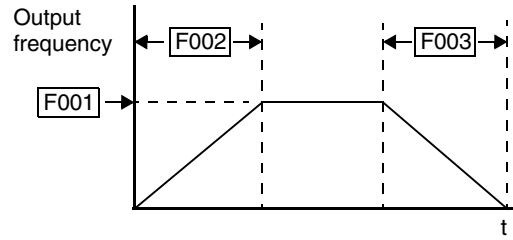
Trip Event and Programming Error Monitoring

The trip event and history monitoring feature lets you cycle through related information using the keypad. See [“Monitoring Trip Events, History, & Conditions”](#) on page 6-5 for more details. Programming errors generate an error code that begins with the special **H** character. See [“Programming Error Codes”](#) on page 3-68 for more information.

| “D” Function | | | Run Mode Edit Lo Hi | Range and Units | SRW Display |
|--------------|---------------------------|---------------------------------|---------------------|-----------------|-------------------|
| Func. Code | Name | Description | | | |
| D080 | Trip Counter | Number of trip events | — | — | ERR COUNT 00000 |
| D081 to D086 | Trip monitor 1 to 6 | Displays trip event information | — | — | (Trip event type) |
| D090 | Programming error monitor | Displays programming error code | — | — | XXXX |

“F” Group: Main Profile Parameters

The basic frequency (speed) profile is defined by parameters contained in the “F” Group as shown to the right. The output frequency is set in Hz, but acceleration and deceleration are specified in seconds (the time to ramp from zero to maximum frequency, or from maximum frequency to zero). The motor direction parameter determines whether the keypad Run key produces a FW or RV command. This parameter does not affect the [FW] terminal or [RV] intelligent terminal function, which you configure separately.



Acceleration 1 and Deceleration 1 are the standard default accel and decel values for the main profile. Accel and decel values for an alternative profile are specified by using parameters Ax92 through Ax93. The motor direction selection (F004) determines the direction of rotation as commanded only from the keypad. This setting applies to any motor profile (1st, 2nd, or 3rd) in use at a particular time.

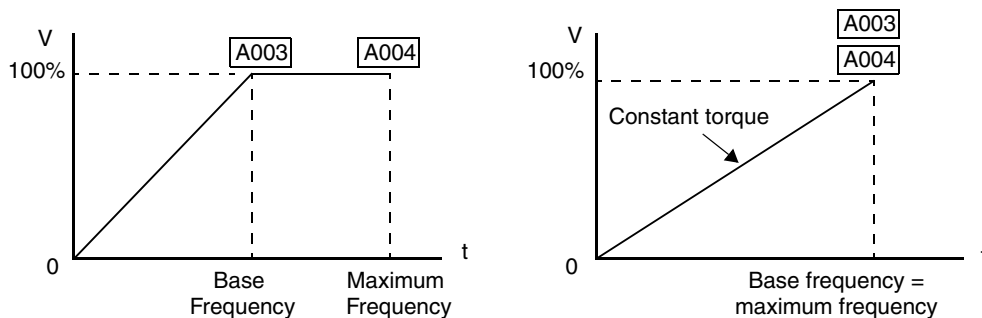
| “F” Function | | | Run Mode Edit Lo Hi | Defaults | | | Units | SRW Display |
|--------------|--|--|------------------------|----------|----------|----------|-------|---|
| Func. Code | Name | Description | | -FE (EU) | -FU (US) | -FR (JP) | | |
| F001 | Output frequency setting | Standard default target frequency that determines constant motor speed Range is 0 to 400 Hz | ✓ ✓ | 0.00 | 0.00 | 0.00 | Hz | >F001 SET-Freq. TM 0000.00Hz 2FS 0000.00Hz 3FS 0000.00Hz TM 0000.00Hz JG 0000.00Hz 1S 0000.00Hz 15S 0000.00Hz OP1 0000.00Hz OP2 0000.00Hz RS485 0000.00Hz |
| F002 | Acceleration (1) time setting | Standard default acceleration Range is 0.01 to 3600 sec. | ✓ ✓ | 30.0 | 30.0 | 30.0 | sec. | >F002 ACCEL TIME1 0030.00s |
| F202 | Acceleration (1) time setting, 2nd motor | Standard default acceleration, 2nd motor Range is 0.01 to 3600 sec. | ✓ ✓ | 30.0 | 30.0 | 30.0 | sec. | >F202 2ACCEL TIME1 0030.00s |
| F302 | Acceleration (1) time setting, 3rd motor | Standard default acceleration, 3rd motor Range is 0.01 to 3600 sec. | ✓ ✓ | 30.0 | 30.0 | 30.0 | sec. | >F302 3ACCEL TIME1 0030.00s |
| F003 | Deceleration (1) time setting | Standard default deceleration Range is 0.01 to 3600 sec. | ✓ ✓ | 30.0 | 30.0 | 30.0 | sec. | >F003 DECEL TIME1 0030.00s |
| F203 | Deceleration (1) time setting, 2nd motor | Standard default deceleration, 2nd motor Range is 0.01 to 3600 sec. | ✓ ✓ | 30.0 | 30.0 | 30.0 | sec. | >F203 2DECEL TIME1 0030.00s |
| F303 | Deceleration (1) time setting, 3rd motor | Standard default deceleration, 3rd motor Range is 0.01 to 3600 sec. | ✓ ✓ | 30.0 | 30.0 | 30.0 | sec. | >F303 3DECEL TIME1 0030.00s |
| F004 | Keypad Run key routing | Two options; select codes: 00 Forward 01 Reverse | ✗ ✗ | 00 | 00 | 00 | — | >F004 DIG-RUN SELECT FW |

“A” Group: Standard Functions

Basic Parameter Settings

These settings affect the most fundamental behavior of the inverter—the outputs to the motor. The frequency of the inverter’s AC output determines the motor speed. You may select from three different sources for the reference speed. During application development you may prefer using the potentiometer, but you may switch to an external source (control terminal setting) in the finished application, for example.

The base frequency and maximum frequency settings interact according to the graph below (left). The inverter output operation follows the constant V/f curve until it reaches the full-scale output voltage. This initial straight line is the constant-torque part of the operating characteristic. The horizontal line over to the maximum frequency serves to let the motor run faster, but at a reduced torque. This is the constant-horsepower part of the characteristic. If you want the motor to output constant torque over its entire operating range (limited to the motor nameplate voltage and frequency rating), then set the base frequency and maximum frequency equal as shown (below right).



NOTE: The “2nd motor” and “3rd motor” settings in the tables in this chapter store an alternate set of parameters for additional motors. The inverter can use the 1st, 2nd, or 3rd set of parameters to generate the output frequency to the motor. See [“Configuring the Inverter for Multiple Motors” on page 4-72](#).

| “A” Function | | | Run Mode Edit Lo Hi | Defaults | | | Units | SRW Display |
|--------------|----------------------------|--|---------------------|----------|----------|----------|-------|---------------------------|
| Func. Code | Name | Description | | -FE (EU) | -FU (US) | -FR (JP) | | |
| A001 | Frequency source setting | Six options; select codes: 00 Keypad potentiometer 01 Control terminal 02 Function F001 setting 03 RS485 serial command 04 Expansion board 1 05 Expansion board 2 | XX | 01 | 01 | 02 | — | >A001 F-SET SELECT TRM |
| A002 | Run command source setting | Five options; select codes: 01 Input terminal [FW] or [RV] (assignable) 02 Run key on keypad, or digital operator 03 RS485 serial command 04 Start/Stop, expansion card #1 05 Start/Stop, expansion card #2 | XX | 01 | 01 | 02 | — | >A002 F/R SELECT TRM |
| A003 | Base frequency setting | Settable from 30 Hz to the maximum frequency | XX | 50. | 60. | 60. | Hz | >A003 F-BASE F 0060Hz |

Configuring Drive Parameters

| "A" Function | | | Run Mode Edit Lo Hi | Defaults | | | Units | SRW Display |
|--------------|--------------------------------------|--|------------------------|----------|----------|----------|-------|---------------------------|
| Func. Code | Name | Description | | -FE (EU) | -FU (US) | -FR (JP) | | |
| A203 | Base frequency setting, 2nd motor | Settable from 30 Hz to the maximum frequency | × × | 50. | 60. | 60. | Hz | >A203 2F-BASE F 0060Hz |
| A303 | Base frequency setting, 3rd motor | Settable from 30 Hz to the maximum frequency | × × | 50. | 60. | 60. | Hz | >A303 3F-BASE F 0060Hz |
| A004 | Maximum frequency setting | Settable from 30 Hz to 400 Hz | × × | 50. | 60. | 60. | Hz | >A004 F-max F 0060Hz |
| A204 | Maximum frequency setting, 2nd motor | Settable from 30 Hz to 400 Hz | × × | 50. | 60. | 60. | Hz | >A204 2F-max F 0060Hz |
| A304 | Maximum frequency setting, 3rd motor | Settable from 30 Hz to 400 Hz | × × | 50. | 60. | 60. | Hz | >A304 3F-max F 0060Hz |

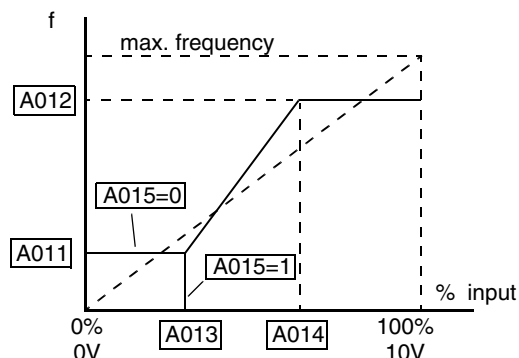


NOTE: The base frequency must be less than or equal to the maximum frequency (ensure that $A003 \leq A004$).

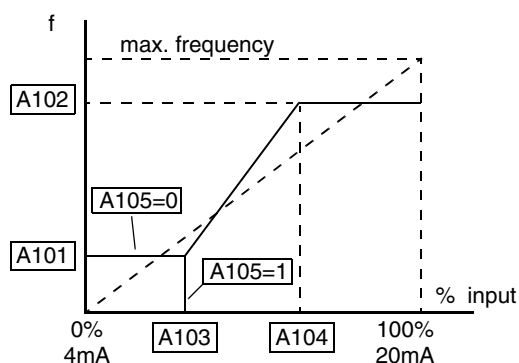
Analog Input Settings

The inverter has the capability to accept external analog inputs that can command the output frequency to the motor. Signals including voltage input (0 to +10V) at terminal [O], bipolar input (-10 to +10V) at terminal [O2], and current input (4 to 20mA) at terminal [OI] are available. Terminal [L] serves as signal ground for the three analog inputs. The analog input settings adjust the curve characteristics between the analog input and the frequency output.

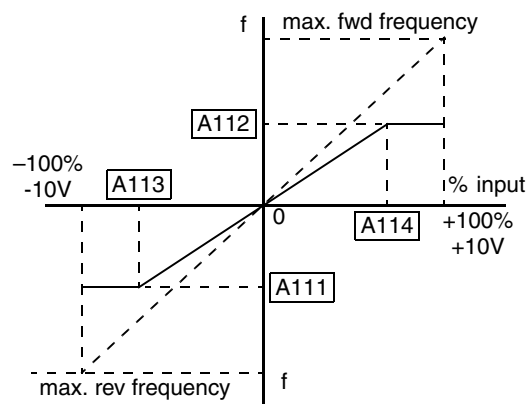
Adjusting [O-L] characteristics – In the graph to the right, A013 and A014 select the active portion of the input voltage range. Parameters A011 and A012 select the start and end frequency of the converted output frequency range, respectively. Together, these four parameters define the major line segment as shown. When the line does not begin at the origin (A011 and A013 > 0), then A015 defines whether the inverter outputs 0Hz or the A011-specified frequency when the analog input value is less than the A013 setting. When the input voltage is greater than the A014 ending value, the inverter outputs the ending frequency specified by A012.



Adjusting [OI-L] characteristics – In the graph to the right, A103 and A104 select the active portion of the input current range. Parameters A101 and A102 select the start and end frequency of the converted output frequency range, respectively. Together, these four parameters define the major line segment as shown. When the line does not begin at the origin (A101 and A103 > 0), then A105 defines whether the inverter outputs 0Hz or the A101-specified frequency when the analog input value is less than the A103 setting. When the input voltage is greater than the A104 ending value, the inverter outputs the ending frequency specified by A102.



Adjusting [O2-L] characteristics – In the graph to the right, A113 and A114 select the active portion of the input voltage range. Parameters A111 and A112 select the start and end frequency of the converted output frequency range, respectively. Together, these four parameters define the major line segment as shown. When the input voltage is less than the A113 input starting value, the inverter outputs the starting frequency specified by A111. When the input voltage is greater than the A114 ending value, the inverter outputs the ending frequency specified by A112.



| “A” Function | | | Run Mode Edit Lo Hi | Defaults | | | Units | SRW Display |
|--------------|--|--|---------------------|----------|----------|----------|---------|--------------------------------|
| Func. Code | Name | Description | | -FE (EU) | -FU (US) | -FR (JP) | | |
| A005 | [AT] selection | Two options; select codes: 00 Select between [O] and [OI] at [AT] 01 Select between [O] and [O2] at [AT] | ✕ ✕ | 00 | 00 | 00 | — | >A005 AT SELECT 0/OI |
| A006 | [O2] selection | Four options; select codes: 00 No summing, [O2] and [OI] 01 Sum of [O2] and [OI], neg. sum (reverse speed reference) inhibited 02 Sum of [O2] and [OI], neg. sum (reverse speed reference) allowed 03 Disable [O2] input | ✕ ✕ | 03 | 03 | 03 | — | >A006 O2 SELECT 02 |
| A011 | [O]–[L] input active range start frequency | The output frequency corresponding to the voltage input range starting point Range is 0.00 to 400.00 Hz | ✕ ✓ | 0.00 | 0.00 | 0.00 | Hz | >A011 INPUT-0 EXS 0000.00Hz |
| A012 | [O]–[L] input active range end frequency | The output frequency corresponding to the voltage input range ending point Range is 0.00 to 400.00 Hz | ✕ ✓ | 0.00 | 0.00 | 0.00 | Hz | >A012 INPUT-0 EXE 0000.00Hz |
| A013 | [O]–[L] input active range start voltage | The starting point for the voltage input range Range is 0 to 100% | ✕ ✓ | 0. | 0. | 0. | % | >A013 INPUT-0 EX%S 000% |
| A014 | [O]–[L] input active range end voltage | The ending point for the voltage input range Range is 0 to 100% | ✕ ✓ | 100. | 100. | 100. | % | >A014 INPUT-0 EX%E 100% |
| A015 | [O]–[L] input start frequency enable | Two options; select codes: 00 Use A011 start value 01 Use 0 Hz | ✕ ✓ | 01 | 01 | 01 | — | >A015 INPUT-0 LEVEL 0Hz |
| A016 | External frequency filter time constant | Range n = 1 to 30, where n = number of samples for avg. | ✕ ✓ | 8. | 8. | 8. | Samples | >A016 INPUT F-SAMP 08 |

Multi-speed and Jog Frequency Settings

The SJ300 inverter has the capability to store and output up to 16 preset frequencies to the motor (A020 to A035). As in traditional motion terminology, we call this *multi-speed profile* capability. These preset frequencies are selected by means of digital inputs to the inverter. The inverter applies the current acceleration or deceleration setting to change from the current output frequency to the new one. The first multi-speed setting is duplicated for the second motor settings (the remaining 15 multi-speeds apply only to the first motor).

The jog speed setting is used whenever the Jog command is active. The jog speed setting range is arbitrarily limited to 10 Hz to provide safety during manual operation. The acceleration to the jog frequency is instantaneous, but you can choose from six modes for the best method for stopping the jog operation.

| "A" Function | | | Run Mode Edit Lo Hi | Defaults | | | Units | SRW Display |
|--------------|--|--|---------------------|----------|----------|----------|-------|------------------------------|
| Func. Code | Name | Description | | -FE (EU) | -FU (US) | -FR (JP) | | |
| A019 | Multi-speed operation selection | Two options; select codes: 00 Binary; up to 16-stage speed using 4 intelligent terminals 01 Single-bit; up to 8-stage speed using 7 intelligent terminals | ✗ ✗ | 00 | 00 | 00 | — | >A019 SPEED SELECT BINARY |
| A020 | Multi-speed frequency setting | Defines the first speed of a multi-speed profile, range is 0 to 360 Hz A020 = Speed 0 (1st motor) | ✓ ✓ | 0.00 | 0.00 | 0.00 | Hz | >A020 SPEED FS 0000.00Hz |
| A220 | Multi-speed frequency setting, 2nd motor | Defines the first speed of a multi-speed profile for 2nd motor, range is 0 to 360 Hz A220 = Speed 0 (2nd motor) | ✓ ✓ | 0.00 | 0.00 | 0.00 | Hz | >A220 SPEED 2FS 0000.00Hz |
| A320 | Multi-speed frequency setting, 3rd motor | Defines the first speed of a multi-speed profile for 3rd motor, range is 0 to 360 Hz A320 = Speed 0 (3rd motor) | ✓ ✓ | 0.00 | 0.00 | 0.00 | Hz | >A320 SPEED 3FS 0000.00Hz |
| A021 to A035 | Multi-speed frequency settings (for both motors) | Defines 15 more speeds, range is 0 to 360 Hz. A021 = Speed 1... A035 = Speed 15 | ✓ ✓ | 0.00 | 0.00 | 0.00 | Hz | >A021 SPEED 01S 0000.00Hz |
| A038 | Jog frequency setting | Defines limited speed for jog, range is 0.5 to 9.99 Hz | ✓ ✓ | 1.00 | 1.00 | 1.00 | Hz | >A038 Jogging F 01.00Hz |
| A039 | Jog stop mode | Define how end of jog stops the motor; six options: 00 Free-run stop, jogging disabled during motor run 01 Controlled deceleration, jogging disabled during motor run 02 DC braking to stop, jogging disabled during motor run 03 Free-run stop, jogging always enabled 04 Controlled deceleration, jogging always enabled 05 DC braking to stop, jogging always enabled | ✗ ✓ | 00 | 00 | 00 | — | >A039 Jogging Mode FRS |

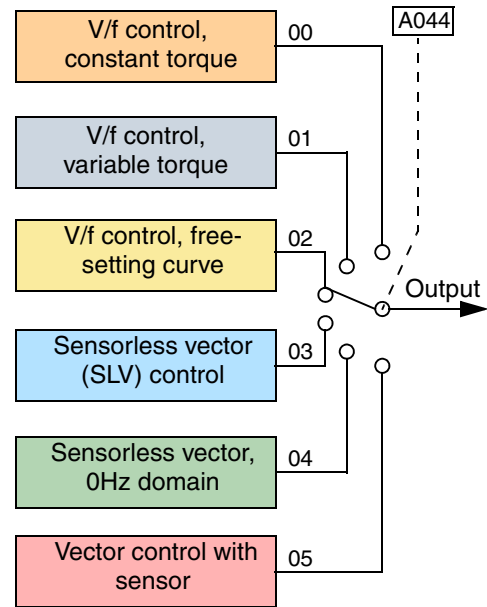
Torque Control Algorithms

The inverter generates the motor output according to the V/f algorithm or the sensorless vector control algorithm. Parameter A044 selects the inverter torque control algorithm for generating the frequency output, as shown in the diagram to the right (A244 and A344 for 2nd and 3rd motors, respectively). The factory default is 00 (constant torque V/f control).

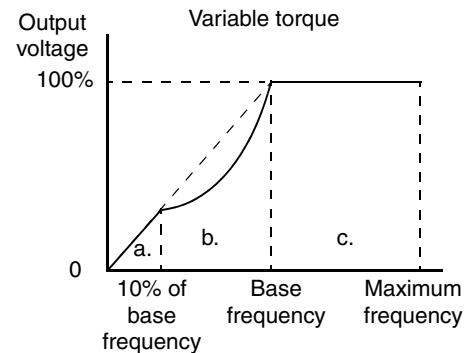
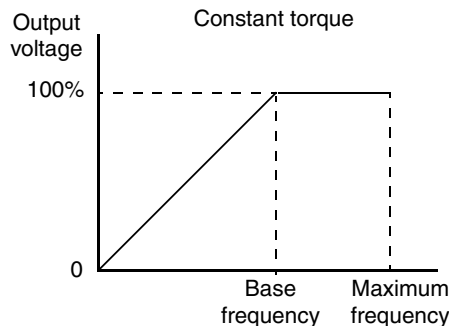
Review the following descriptions to help you choose the best torque control algorithm for your application.

- The built-in V/f curves are oriented toward developing constant torque or variable torque characteristics (see graphs below).
- The free-setting curve provides an even more flexible characteristic, but it requires more parameter settings.
- Sensorless vector control calculates an ideal torque vector based on current motor position, winding currents, and so on. It is a more robust control method than the V/f control methods. However, it is more dependent on actual motor parameters and will require you to set these values carefully or to perform the auto-tuning procedure (see ["Auto-tuning of Motor Constants" on page 4-67](#)) to obtain optimum performance.
- Sensorless vector control, 0Hz domain increases the low-speed torque performance (0–2.5Hz) via an advanced Hitachi torque control algorithm. However, you will need to size the inverter for one frame size larger than the motor for proper operation.
- Vector control with sensor requires expansion card SJ-FB encoder feedback board and a motor shaft encoder. Choose this method when precise position/velocity control is required.

Inverter Torque Control Algorithms



Constant and Variable Torque – The graph below (left) shows the constant torque characteristic from 0Hz to the base frequency A003. The voltage remains constant for output frequencies higher than the base frequency.



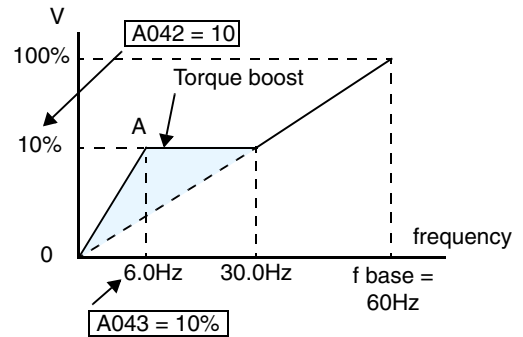
The graph above (right) shows the general characteristic for variable torque. The curve may be best described in three sections, as follows:

- The range from 0Hz to 10% of the base frequency is the constant torque characteristic. For example, a base frequency of 60Hz ends the constant torque characteristic segment at 6Hz.
- The range from 10% of the base frequency to the base frequency is the variable (reduced) torque characteristic. The voltage is output in the curve of frequency to the 1.7 power.

- c. After reaching the base frequency, the characteristic maintains a constant output voltage for higher frequencies.

Using parameter A045 you can modify the voltage gain of the inverter. This is specified as a percentage of the full-scale setting AVR (Automatic Voltage Regulation) in parameter A082. The gain can be set from 20% to 100%. It must be adjusted in accordance with the motor specifications.

Torque Boost – The Constant and Variable Torque algorithms feature an adjustable *torque boost* curve. When the motor load has a lot of inertia or starting friction, you may need to increase the low frequency starting torque characteristics by boosting the voltage above the normal V/f ratio (shown at right). The boost is applied from zero to 1/2 the base frequency. You set the breakpoint of the boost (point A on the graph) by using parameters A042 and A043. The manual boost is calculated as an addition to the standard straight V/f line (constant torque curve).



Be aware that running the motor at a low speed for a long time can cause motor overheating. This is particularly true when manual torque boost is ON or if the motor relies on a built-in fan for cooling.



NOTE: Manual torque boost applies only to constant torque (A044=00) and variable torque (A044=01) V/f control.

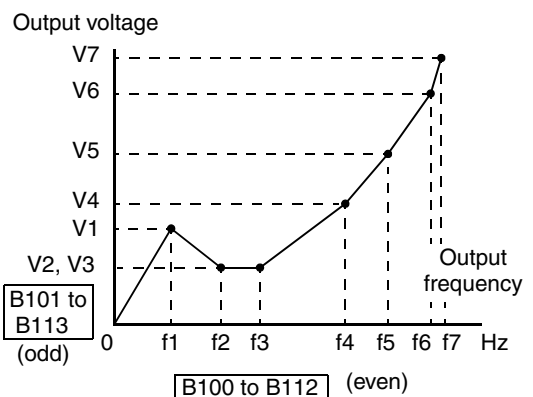


NOTE: The motor stabilization parameter H006 is effective for constant torque (A044=00) and variable torque (A044=01) V/f control.

V/f Free-setting – The free-setting V/f inverter mode of operation uses voltage and frequency parameter pairs to define seven points on a V/f graph. This provides a way to define a multi-segment V/f curve that best suits your application.

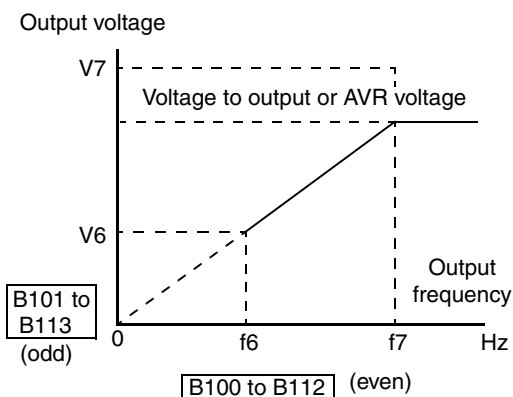
The frequency settings do require that $F1 \leq F2 \leq F3 \leq F4 \leq F5 \leq F6 \leq F7$; their values must have this ascending order relationship. However, the voltages V1 to V7 may either increase or decrease from one to the next. The example to the right shows the definition of a complex curve by following the setting requirements.

Free-setting f7 (B112) becomes the maximum frequency of the inverter. Therefore, we recommend setting f7 first, since the initial value of all default frequencies f1–f7 is 0Hz.



NOTE: The using of V/f free-setting operation specifies parameters that override (make invalid) certain other parameters. The parameters that become invalid are torque boost (A041/A241), base frequency (A003/A203/A303), and maximum frequency (A004/A204/A304). In this case, we recommend leaving their settings at the factory default values.

The V/f free-setting endpoint f7/V7 parameters must stay within the more basic inverter limits in order for the specified free-setting characteristic curve to be achieved. For example, the inverter cannot output a higher voltage than the input voltage or the AVR setting voltage (Automatic Voltage Regulation), set by parameter A082. The graph to the right shows how the inverter input voltage would clip (limit) the characteristic curve if exceeded.



Sensorless Vector Control and, Sensorless Vector Control, 0Hz Domain – These advanced torque control algorithms improve the torque performance at very low speeds:

- Sensorless Vector Control – improved torque control at output frequencies down to 0.5 Hz
- Sensorless Vector Control, 0Hz Domain – improved torque control at output frequencies from 0 to 2.5 Hz.

These low-speed torque control algorithms must be tuned to match the characteristics of the particular motor connected to your inverter. Simply using the default motor parameters in the inverter will not work satisfactorily for these control methods. Chapter 4 discusses motor/inverter size selection and how to set the motor parameters either manually or by using the built-in auto-tuning. Before using the sensorless vector control methods, please refer to [“Setting Motor Constants for Vector Control” on page 4-65](#).



NOTE: When the inverter is in SLV (sensorless vector) mode, use B083 to set the carrier frequency greater than 2.1 kHz for proper operation.



NOTE: You must disable sensorless vector operation when two or more motors are connected (parallel operation) to the inverter.

Vector Control with Encoder Feedback – This method of torque control uses an encoder as a motor shaft position sensor. Accurate position feedback allows the inverter to close the velocity loop and provide very accurate speed control, even with variations in motor loads. To use encoder feedback you will need to add an SJ-FB Encoder Feedback Card in the inverter’s expansion bay. Please refer to [“Expansion Cards” on page 5-5](#) in this manual or the SJ-FB manual for details.

The following table shows the methods of torque control selection.

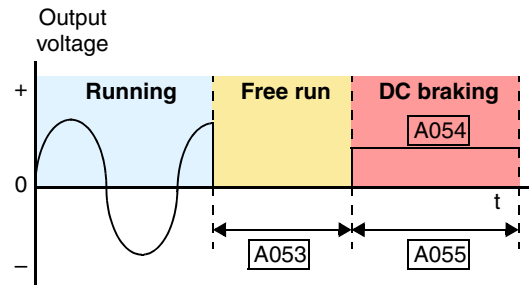
| “A” Function | | | Run Mode Edit Lo Hi | Defaults | | | Units | SRW Display |
|--------------|--|---|---------------------|----------|----------|----------|-------|----------------------------|
| Func. Code | Name | Description | | -FE (EU) | -FU (US) | -FR (JP) | | |
| A041 | Torque boost method selection | Two options: 00 Manual torque boost 01 Automatic torque boost | XX | 00 | 00 | 00 | — | >A041 V-Boost Mode MANUAL |
| A241 | Torque boost method selection, 2nd motor | Two options (for 2nd motor): 00 Manual torque boost 01 Automatic torque boost | XX | 00 | 00 | 00 | — | >A241 2V-Boost Mode MANUAL |

| “A” Function | | | Run Mode Edit Lo Hi | Defaults | | | Units | SRW Display |
|--------------|---|--|------------------------|----------|----------|----------|-------|------------------------------|
| Func. Code | Name | Description | | -FE (EU) | -FU (US) | -FR (JP) | | |
| A042 | Manual torque boost value | Can boost starting torque between 0 and 20% above normal V/f curve, from 0 to 1/2 base frequency | ✓✓ | 1.0 | 1.0 | 1.0 | — | >A042 V-Boost Code 01.0% |
| A242 | Manual torque boost value, 2nd motor | Can boost starting torque between 0 and 20% above normal V/f curve, from 0 to 1/2 base frequency | ✓✓ | 1.0 | 1.0 | 1.0 | — | >A242 2V-Boost Code 01.0% |
| A342 | Manual torque boost value, 3rd motor | Can boost starting torque between 0 and 20% above normal V/f curve, from 0 to 1/2 base frequency | ✓✓ | 1.0 | 1.0 | 1.0 | — | >A342 3V-Boost Code 01.0% |
| A043 | Manual torque boost frequency adjustment | Sets the frequency of the V/f breakpoint A in graph (top of previous page) for torque boost | ✓✓ | 5.0 | 5.0 | 5.0 | % | >A043 V-Boost F 05.0% |
| A243 | Manual torque boost frequency adjustment, 2nd motor | Sets the frequency of the V/f breakpoint A in graph (top of previous page) for torque boost | ✓✓ | 5.0 | 5.0 | 5.0 | % | >A243 2V-Boost F 05.0% |
| A343 | Manual torque boost frequency adjustment, 3rd motor | Sets the frequency of the V/f breakpoint A in graph (top of previous page) for torque boost | ✓✓ | 5.0 | 5.0 | 5.0 | % | >A343 3V-Boost F 05.0% |
| A044 | V/f characteristic curve selection, 1st motor | Six torque control modes: 00 V/f constant torque 01 V/f variable torque 02 V/f free-setting curve 03 Sensorless vector SLV 04 0Hz domain SLV 05 Vector control with encoder feedback | ✕✕ | 00 | 00 | 00 | — | >A044 Control 1st VC |
| A244 | V/f characteristic curve selection, 2nd motor | Six torque control modes: 00 V/f constant torque 01 V/f variable torque 02 V/f free-setting curve 03 Sensorless vector SLV 04 0Hz domain SLV 05 Vector control with encoder feedback | ✕✕ | 00 | 00 | 00 | — | >A244 2Control 2nd VC |
| A344 | V/f characteristic curve selection, 3rd motor | Six torque control modes: 00 V/f constant torque 01 V/f variable torque 02 V/f free-setting curve 03 Sensorless vector SLV 04 0Hz domain SLV 05 Vector control with encoder feedback | ✕✕ | 00 | 00 | 00 | — | >A344 3Control 3rd VC |
| A045 | V/f gain setting | Sets voltage gain of the inverter from 20 to 100% | ✓✓ | 100. | 100. | 100. | % | >A045 V-Gain Gain 100% |

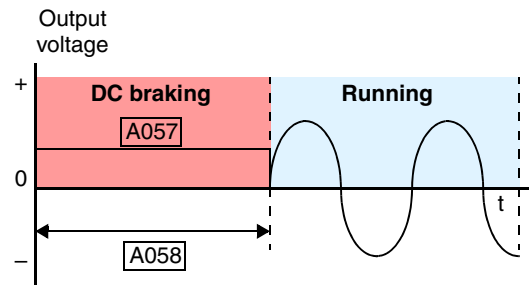
DC Braking Settings

The DC braking feature can provide additional stopping torque when compared to a normal deceleration to a stop. It can also ensure the motor and load are stopped before acceleration.

When decelerating – DC braking is particularly useful at low speeds when normal deceleration torque is minimal. During deceleration, the inverter injects a DC voltage into the motor windings during deceleration below a frequency you can specify (A052). The braking power (A054) and duration (A055) can both be set. You can optionally specify a wait time before DC braking (A053), during which the motor will free run (coast).



When starting – You can also apply DC braking upon the application of a Run command, specifying both the DC braking force level (A057) and the duration (A058). This will serve to stop the rotation of the motor and the load, when the load is capable of driving the motor. This effect, sometimes called “windmilling,” is common in fan applications. Often, air moving in duct work will drive the fan in a backward direction.



If an inverter is started into such a backward-rotating load, over-current trips can occur. Use DC braking as an “anti-windmilling” technique to stop the motor and load, and allow a normal acceleration from a stop. See also the [“Acceleration Pause Function” on page 3-21](#).

You can configure the inverter to apply DC braking at stopping only, at starting only, or both. DC braking power (0–100%) can be set separately for stopping and starting cases.

You can configure DC braking to initiate in one of two ways:

1. **Internal DC braking** – Set A051=01 to enable internal braking. The inverter automatically applies DC braking as configured (during stopping, starting, or both).
2. **External DC braking** – Configure an input terminal with option code 7 [DB] (see [“External Signal for DC Injection Braking” on page 4-17](#) for more details). Leave A051=00, although this setting is ignored when a [DB] input is configured. The DC braking force settings (A054 and A057) still apply. However, the braking time settings (A055 and A058) do not apply (see level and edge triggered descriptions below). Use A056 to select level or edge detection for the external input.
 - a. **Level triggered** – When the [DB] input signal is ON, the inverter immediately applies DC injection braking, whether the inverter is in Run Mode or Stop Mode. You control DC braking time by the duration of the [DB] pulse.
 - b. **Edge triggered** – When the [DB] input transitions OFF-to-ON and the inverter is in Run Mode, it will apply DC braking only until the motor stops... then DC braking is OFF. During Stop Mode, the inverter ignores OFF-to-ON transitions. Therefore, do not use edge triggered operation when you need DC braking before acceleration.

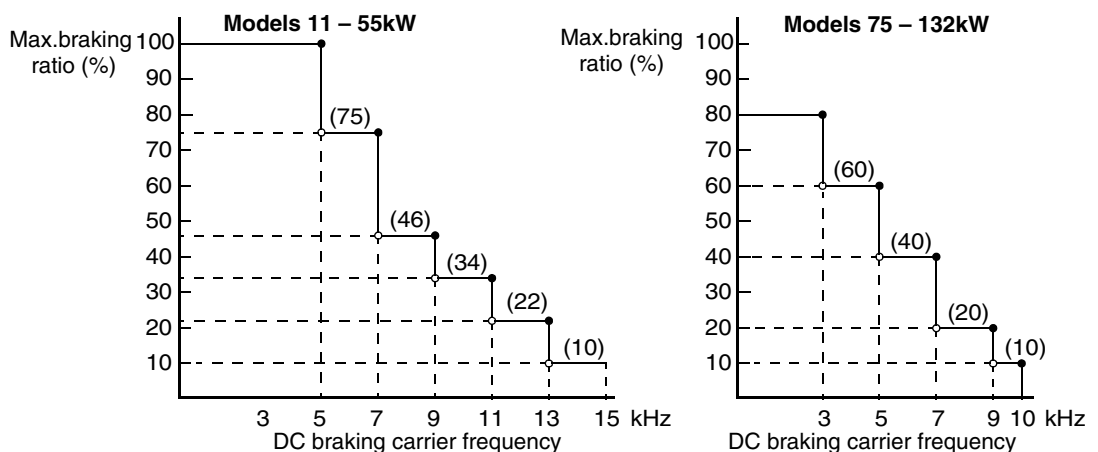


CAUTION: Be careful to avoid specifying a braking time that is long enough to cause motor overheating. If you use DC braking, we recommend using a motor with a built-in thermistor and wiring it to the inverter’s thermistor input (see [“Thermistor Thermal Protection” on page 4-28](#)). Also refer to the motor manufacturer’s specifications for duty-cycle recommendations during DC braking.

| "A" Function | | | Run Mode Edit Lo Hi | Defaults | | | Units | SRW Display |
|--------------|---|---|---------------------|----------|----------|----------|-------|---------------------------|
| Func. Code | Name | Description | | -FE (EU) | -FU (US) | -FR (JP) | | |
| A051 | DC braking enable | Two options; select codes: 00 Disable 01 Enable | ✗ ✓ | 00 | 00 | 00 | — | >A051 DCB Mode OFF |
| A052 | DC braking frequency setting | The frequency at which DC braking activates during decel. Range is 0.00 to 60.00 Hz | ✗ ✓ | 0.50 | 0.50 | 0.50 | Hz | >A052 DCB F 00.50Hz |
| A053 | DC braking wait time | The delay after reaching the DC braking frequency, or [DB] signal, before DC braking begins. Range is 0.0 to 5.0 seconds | ✗ ✓ | 0.0 | 0.0 | 0.0 | sec. | >A053 DCB WAIT 0.0s |
| A054 | DC braking force during deceleration | Variable DC braking force. Range is from 0% to 100% | ✗ ✓ | 0. | 0. | 0. | % | >A054 DCB STP-V 000% |
| A055 | DC braking time for deceleration | Sets the duration for DC braking during decel. Range is 0.0 to 60.0 seconds | ✗ ✓ | 0.0 | 0.0 | 0.0 | sec. | >A055 DCB STP-T 00.0s |
| A056 | DC braking / edge or level detection for [DB] input | Two options; select codes: 00 Edge detection 01 Level detection | ✗ ✓ | 01 | 01 | 01 | — | >A056 DCB KIND LEVEL |
| A057 | DC braking force for starting | Variable DC braking force. Range is 0 to 100% | ✗ ✓ | 0. | 0. | 0. | % | >A057 DCB STA-V 000% |
| A058 | DC braking time for starting | Sets the duration for DC braking before accel. Range is 0.0 to 60.0 seconds | ✗ ✓ | 0.0 | 0.0 | 0.0 | sec. | >A058 DCB STA-T 00.0s |
| A059 | DC braking carrier frequency setting | Range is 0.5 to 15 kHz for models up to -550xxx, range is 0.5 to 10kHz for 750xxx to 1500xxx models | ✗ ✗ | 3.0 | 3.0 | 3.0 | kHz | >A059 DCB CARRIER 05.0kHz |

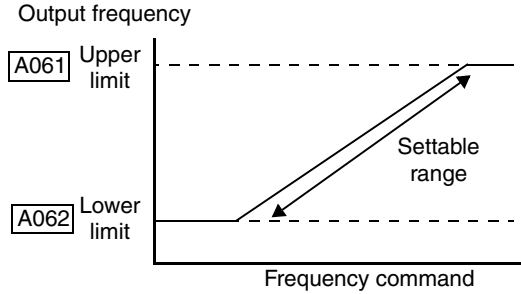
Configuring Drive Parameters

Derating of DC Braking – The inverter uses an internal carrier frequency (set by A059) to generate a DC braking voltage (do not confuse with main inverter output carrier frequency set by B083). The maximum DC braking force available to the inverter is more limited with higher DC braking carrier frequency settings for A059 according to the graphs below.



Frequency-related Functions

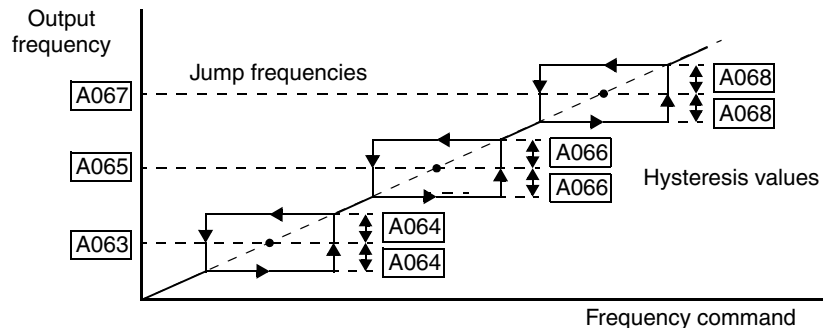
Frequency Limits – Upper and lower limits can be imposed on the inverter output frequency. These limits will apply regardless of the source of the speed reference. You can configure the lower frequency limit to be greater than zero as shown in the graph to the right. The upper limit must not exceed the rating of the motor or capability of the machinery.



Configuring Drive Parameters

| "A" Function | | | Run Mode Edit Lo Hi | Defaults | | | Units | SRW Display |
|--------------|--|--|---------------------|----------|----------|----------|-------|-----------------------------|
| Func. Code | Name | Description | | -FE (EU) | -FU (US) | -FR (JP) | | |
| A061 | Frequency upper limit setting | Sets a limit on output frequency less than the maximum frequency (A004) Range is 0.50 to 400.0 Hz 0.00 setting is disabled >0.10 setting is enabled | X ✓ | 0.00 | 0.00 | 0.00 | Hz | >A061 LIMIT HIGH 0000.00Hz |
| A261 | Frequency upper limit setting, 2nd motor | Sets a limit on output frequency less than the maximum frequency (A004) Range is 0.50 to 400.0 Hz 0.00 setting is disabled >0.10 setting is enabled | X ✓ | 0.00 | 0.00 | 0.00 | Hz | >A261 2LIMIT HIGH 0000.00Hz |
| A062 | Frequency lower limit setting | Sets a limit on output frequency greater than zero Range is 0.50 to 400.0 Hz 0.00 setting is disabled >0.1 setting is enabled | X ✓ | 0.00 | 0.00 | 0.00 | Hz | >A062 LIMIT LOW 0000.00Hz |
| A262 | Frequency lower limit setting, 2nd motor | Sets a limit on output frequency greater than zero Range is 0.50 to 400.0 Hz 0.00 setting is disabled >0.10 setting is enabled | X ✓ | 0.00 | 0.00 | 0.00 | Hz | >A262 2LIMIT LOW 0000.00Hz |

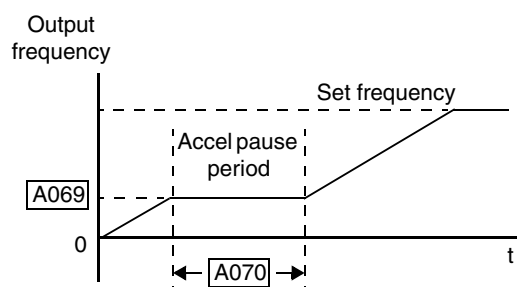
Jump Frequencies – Some motors or machines exhibit resonances at particular speed(s), which can be destructive for prolonged running at those speeds. The inverter has up to three *jump frequencies* as shown in the graph. The hysteresis around the jump frequencies causes the inverter output to skip around the sensitive frequency values.



| “A” Function | | | Run Mode Edit Lo Hi | Defaults | | | Units | SRW Display |
|----------------------|---|---|---------------------|----------|----------|----------|-------|--|
| Func. Code | Name | Description | | -FE (EU) | -FU (US) | -FR (JP) | | |
| A063 A065 A067 | Jump (center) frequency setting | Up to 3 output frequencies can be defined for the output to jump past to avoid motor resonances (center frequency) Range is 0.00 to 400.0 Hz | X ✓ | 0.00 | 0.00 | 0.00 | Hz | >A063 JUMP F1 0000.00Hz >A065 JUMP F2 0000.00Hz >A067 JUMP F3 0000.00Hz |
| A064 A066 A068 | Jump (hysteresis) frequency width setting | Defines the distance from the center frequency at which the jump occurs Range is 0.0 to 10.0 Hz | X ✓ | 0.50 | 0.50 | 0.50 | Hz | >A064 JUMP W1 00.50Hz >A066 JUMP W2 00.50Hz >A068 JUMP W3 00.50Hz |

Acceleration Pause Function

The acceleration pause function can be used to minimize the occurrence of over-current trips when accelerating high inertia loads. It introduces a dwell or pause in the acceleration ramp. You can control the frequency at which this dwell occurs (A069), and the duration of the pause time (A070). This function can also be used as an anti-windmilling tool, when the load might have a tendency to drive the motor in a reverse direction while the inverter is in a Stop mode. Initiating a normal acceleration in such a situation may result in over-current trips. This function can be used to keep the inverter output frequency and voltage at low levels long enough to bring the load to a stop, and commence turning in the desired direction before the acceleration ramp resumes. See also [“DC Braking Settings” on page 3-18.](#)



Configuring Drive Parameters

| “A” Function | | | Run Mode Edit Lo Hi | Defaults | | | Units | SRW Display |
|--------------|--------------------------------------|---------------------------|---------------------|----------|----------|----------|-------|----------------------------|
| Func. Code | Name | Description | | -FE (EU) | -FU (US) | -FR (JP) | | |
| A069 | Acceleration pause frequency setting | Range is 0.00 to 400.0Hz | X ✓ | 0.00 | 0.00 | 0.00 | Hz | >A069 F-STOP F 0000.00H |
| A070 | Acceleration pause time setting | Range is 0.0 to 60.0 sec. | X ✓ | 0.0 | 0.0 | 0.0 | sec. | >A070 F-STOP T 00.0s |

PID Control

When enabled, the built-in PID loop calculates an ideal inverter output value to cause a loop feedback process variable (PV) to move closer in value to the setpoint (SP). The current frequency command serves as the SP. The PID loop algorithm will read the analog input for the process variable (you specify either current or voltage input) and calculate the output.

- A scale factor in A075 lets you multiply the PV by a factor, converting it into engineering units for the process.
- Proportional, integral, and derivative gains are all adjustable.
- Optional – You can assign an intelligent input terminal the option code 23, PID Disable. When active, this input disables PID operation. See [“Intelligent Input Terminal Overview” on page 3-49](#).
- See [“PID Loop Operation” on page 4-71](#) for more information.

| "A" Function | | | Run Mode Edit Lo Hi | Defaults | | | Units | SRW Display |
|--------------|------------------------------|---|---------------------|----------|----------|----------|-------|-----------------------|
| Func. Code | Name | Description | | -FE (EU) | -FU (US) | -FR (JP) | | |
| A071 | PID Enable | Enables PID function, two option codes: 00 PID operation OFF 01 PID operation ON | ✗ ✓ | 00 | 00 | 00 | — | >A071 PID SW OFF |
| A072 | PID proportional gain | Proportional gain has a range of 0.2 to 5.0 | ✓ ✓ | 1.0 | 1.0 | 1.0 | — | >A072 PID P 1.0 |
| A073 | PID integral time constant | Integral time constant has a range of 0.0 to 3600 seconds | ✓ ✓ | 1.0 | 1.0 | 1.0 | sec. | >A073 PID I 0001.0s |
| A074 | PID derivative time constant | Derivative time constant has a range of 0.0 to 100 seconds | ✓ ✓ | 0.0 | 0.0 | 0.0 | sec. | >A074 PID D 000.00 |
| A075 | PV scale conversion | Process Variable (PV) scale factor (multiplier), range of 0.01 to 99.99 | ✗ ✓ | 1.00 | 1.00 | 1.00 | — | >A075 PID CONV 001.00 |
| A076 | PV source setting | Selects source of Process Variable (PV), option codes: 00 [OI] terminal (current input) 01 [O] terminal (voltage input) | ✗ ✓ | 00 | 00 | 00 | — | >A076 PID INPUT 01 |



NOTE: The setting A073 for the integrator is the integrator's time constant T_i , not the gain. The integrator gain $K_i = 1/T_i$. When you set A073 = 0, the integrator is disabled.

Automatic Voltage Regulation (AVR) Function

The automatic voltage regulation (AVR) feature keeps the inverter output voltage at a relatively constant amplitude during power input fluctuations. This can be useful if the installation is subject to input voltage disturbances. However, the inverter cannot boost its motor output to a voltage higher than the power input voltage. If you enable this feature, be sure to select the proper voltage class setting for your motor.

| “A” Function | | | Run Mode Edit Lo Hi | Defaults | | | Units | SRW Display |
|--------------|---------------------|--|---------------------|----------|----------|----------|-------|---------------------|
| Func. Code | Name | Description | | -FE (EU) | -FU (US) | -FR (JP) | | |
| A081 | AVR function select | Automatic (output) voltage regulation, selects from three type of AVR functions, three option codes: 00 AVR enabled 01 AVR disabled 02 AVR enabled except during deceleration | ✕ ✕ | 00 | 00 | 00 | — | >A081 AVR MODE DOFF |
| A082 | AVR voltage select | 200V class inverter settings: 200/215/220/230/240 400V class inverter settings: 380/400/415/440/460/480 | ✕ ✕ | 230/400 | 230/460 | 200/400 | V | >A082 AVR AC 230 |

Configuring Drive Parameters

Energy Savings Mode / Optimal Accel/Decel

Energy Savings Mode – This function allows the inverter to deliver the minimum power necessary to maintain speed at any given frequency. This works best when driving variable torque characteristic loads such as fans and pumps. Parameter A085=01 enables this function and A086 controls the degree of its effect. A setting of 0.0 yields slow response but high accuracy, while a setting of 100 will yield a fast response with lower accuracy.

| “A” Function | | | Run Mode Edit Lo Hi | Defaults | | | Units | SRW Display |
|--------------|---------------------------|--|---------------------|----------|----------|----------|-------|-----------------------|
| Func. Code | Name | Description | | -FE (EU) | -FU (US) | -FR (JP) | | |
| A085 | Operation mode selection | Three options: 00 Normal operation 01 Energy-saver operation 02 Optimal accel/decel operation | ✕ ✕ | 00 | 00 | 00 | — | >A085 RUN MODE NOR |
| A086 | Energy saving mode tuning | Range is 0.0 to 100 sec. | ✓ ✓ | 50.0 | 50.0 | 50.0 | sec. | >A086 RUN ECO 0050.0s |

Optimal Accel/Decel Operation – This feature uses “fuzzy” logic to optimize acceleration and deceleration curves in real time. It is enabled by A085=02. Optimal accel/decel operation automatically adjusts the acceleration and deceleration times in response to changes in load or inertia to take advantage of the maximum output current capability of the inverter. In general, optimal accel/decel will allow for the shortest accel and decel times based on the actual load conditions. The function continuously monitors output current and DC bus voltage to avoid reaching their respective trip levels.



NOTE: In this mode, the settings of acceleration and deceleration times (F002 and F003) are disregarded.

Optimal Accel/Decel Operation, continued...

The acceleration time is controlled to maintain output current below the level set by the Overload Restriction Function if enabled (Parameters B021/B024, B022/B025, and B023/B026). If Overload Restriction is not enabled, then the current limit used is 150% of the inverter's rated output current.

The deceleration time is controlled so that the output current is maintained below 150% of the inverter's rated current, *and* the DC bus voltage is maintained below the OV Trip level (358V or 770V).



NOTE: DO NOT use Optimal Accel/Decel (A085 = 02) when an application...

- has a requirement for constant acceleration or deceleration
- has a load inertia more than (approx.) 20 times the motor inertia
- uses internal or external regenerative braking
- uses any of the vector control modes (A044 = 03, 04, or 05). This function is **ONLY** compatible with V/F control.



NOTE: If the load exceeds the rating of the inverter, the acceleration time may be increased.



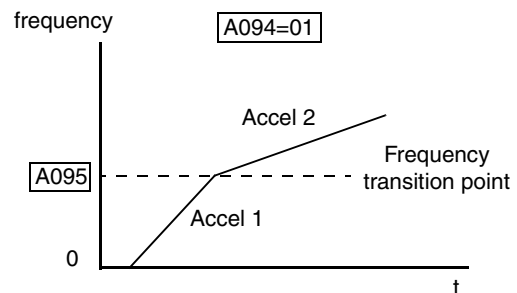
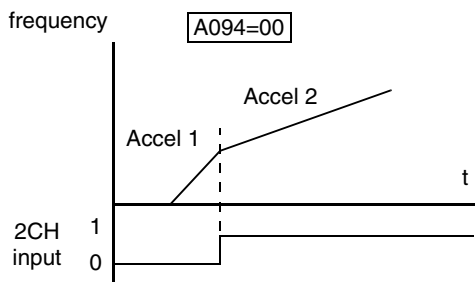
NOTE: If using a motor with a capacity that is one size smaller than the inverter rating, enable the Overload Restriction function (B021/B024) and set the Overload Restriction Level (B022/B025) to 1.5 times the motor nameplate current.



NOTE: Be aware that the acceleration and deceleration times will vary, depending on the actual load conditions during each individual operation of the inverter.

Second Acceleration and Deceleration Functions

The SJ300 inverter features two-stage acceleration and deceleration ramps. This gives flexibility in the profile shape. You can specify the frequency transition point, the point at which the standard acceleration (F002) or deceleration (F003) changes to the second acceleration (A092) or deceleration (A093). These profile options are also available for the second motor settings and third motor settings. All acceleration and deceleration times are time to ramp from zero speed to full speed or full speed to zero speed. Select a transition method via A094 as depicted below. Be careful not to confuse the *second acceleration/deceleration settings* with settings for the *second motor*!



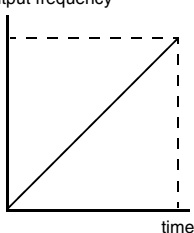
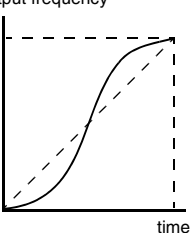
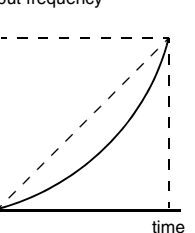
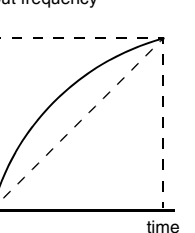
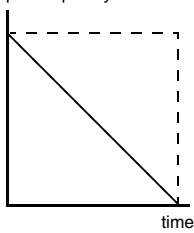
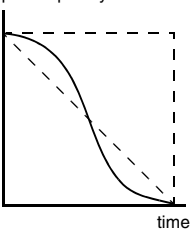
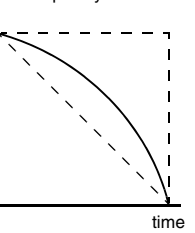
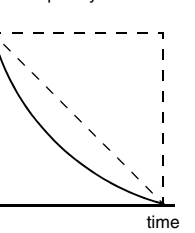
| "A" Function | | | Run Mode Edit Lo Hi | Defaults | | | Units | SRW Display |
|--------------|---|---|---------------------|----------|----------|----------|-------|-----------------------------|
| Func. Code | Name | Description | | -FE (EU) | -FU (US) | -FR (JP) | | |
| A092 | Acceleration (2) time setting | Duration of 2nd segment of acceleration, range is: 0.01 to 3600 sec. | ✓✓ | 15.0 | 15.0 | 15.0 | sec. | >A092 ACCEL TIME2 0015.00s |
| A292 | Acceleration (2) time setting, 2nd motor | Duration of 2nd segment of acceleration, 2nd motor, range is: 0.01 to 3600 sec. | ✓✓ | 15.0 | 15.0 | 15.0 | sec. | >A292 2ACCEL TIME2 0015.00s |
| A392 | Acceleration (2) time setting, 3rd motor | Duration of 2nd segment of acceleration, 2nd motor, range is: 0.01 to 3600 sec. | ✓✓ | 15.0 | 15.0 | 15.0 | sec. | >A392 3ACCEL TIME2 0015.00s |
| A093 | Deceleration (2) time setting | Duration of 2nd segment of deceleration, range is: 0.01 to 3600 sec. | ✓✓ | 15.0 | 15.0 | 15.0 | sec. | >A093 DECEL TIME2 0015.00s |
| A293 | Deceleration (2) time setting, 2nd motor | Duration of 2nd segment of deceleration, 2nd motor, range is: 0.01 to 3600 sec. | ✓✓ | 15.0 | 15.0 | 15.0 | sec. | >A293 2DECEL TIME2 0015.00s |
| A393 | Deceleration (2) time setting, 3rd motor | Duration of 2nd segment of deceleration, 2nd motor, range is: 0.01 to 3600 sec. | ✓✓ | 15.0 | 15.0 | 15.0 | sec. | >A393 3DECEL TIME2 0015.00s |
| A094 | Select method to switch to Acc2/Dec2 profile | Two options for switching from 1st to 2nd accel/decel: 00 2CH input from terminal 01 transition frequency | ✗✗ | 00 | 00 | 00 | — | >A094 ACCEL CHANGE TM |
| A294 | Select method to switch to Acc2/Dec2 profile, 2nd motor | Two options for switching from 1st to 2nd accel/decel: 00 2CH input from terminal 01 transition frequency (2nd motor) | ✗✗ | 00 | 00 | 00 | — | >A294 ACCEL CHANGE TM |
| A095 | Acc1 to Acc2 frequency transition point | Output frequency at which Accel1 switches to Accel2, range is 0.00 to 400.0 Hz | ✗✗ | 0.0 | 0.0 | 0.0 | Hz | >A095 ACCEL CHFr 0000.00Hz |
| A295 | Acc1 to Acc2 frequency transition point, 2nd motor | Output frequency at which Accel1 switches to Accel2, range is 0.00 to 400.0 Hz (2nd motor) | ✗✗ | 0.0 | 0.0 | 0.0 | Hz | >A295 2ACCEL CHFr 0000.00Hz |
| A096 | Dec1 to Dec2 frequency transition point | Output frequency at which Decel1 switches to Decel2, range is 0.00 to 400.0 Hz | ✗✗ | 0.0 | 0.0 | 0.0 | Hz | >A096 DECEL CHFr 0000.00Hz |
| A296 | Dec1 to Dec2 frequency transition point, 2nd motor | Output frequency at which Decel1 switches to Decel2, range is 0.00 to 400.0 Hz (2nd motor) | ✗✗ | 0.0 | 0.0 | 0.0 | Hz | >A296 2DECEL CHFr 0000.00Hz |



NOTE: For A095 and A096 (and for 2nd motor settings), if you set a very rapid Acc1 or Dec1 time (less than 1.0 second), the inverter may not be able to change rates to Acc2 or Dec2 before reaching the target frequency. In that case, the inverter decreases the rate of Acc1 or Dec1 in order to achieve the second ramp to the target frequency.

Accel/Decel Characteristics

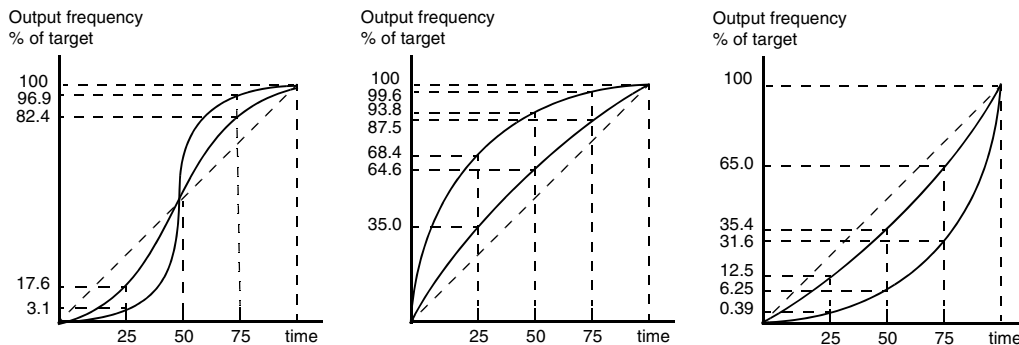
Standard (default) acceleration and deceleration is linear with time. The inverter CPU can also calculate other curves shown in the graphs below. The sigmoid, U-shape, and reverse U-shape curves are useful for favoring the load characteristics in particular applications. Curve settings for acceleration and deceleration are independently selected via parameters A097 and A098, respectively. You can use the same or different curve types for acceleration and deceleration.

| Set value | 00 | 01 | 02 | 03 |
|----------------------|---|---|--|---|
| Curve | Linear | Sigmoid | U-shape | Reverse U-shape |
| Accel A97 |  |  |  |  |
| Decel A98 |  |  |  |  |
| Typical applications | Linear acceleration and deceleration for general-purpose use | Avoid jerk on start/stop for elevators; use for delicate loads on conveyors | Tension control for winding applications, web presses, roller/accumulators | |

Configuring Drive Parameters

| “A” Function | | | Run Mode Edit Lo Hi | Defaults | | | Units | SRW Display |
|--------------|------------------------------|---|---------------------|----------|----------|----------|-------|----------------------------|
| Func. Code | Name | Description | | -FE (EU) | -FU (US) | -FR (JP) | | |
| A097 | Acceleration curve selection | Set the characteristic curve of Accel1 and Accel2, four options: 00 Linear 01 S-curve 02 U-shape 03 Reverse U-shape | ✕ ✕ | 00 | 00 | 00 | — | >A097 ACCEL LINE Linear |
| A098 | Deceleration curve selection | Set the characteristic curve of Decel1 and Decel2, four options: 00 Linear 01 S-curve 02 U-shape 03 Reverse U-shape | ✕ ✕ | 00 | 00 | 00 | — | >A098 DECEL LINE Linear |

The acceleration and deceleration curves can deviate from a straight line to a varying degree. Parameters A131 and A132 control the amount of deviation for the acceleration and deceleration curves respectively. The following graphs show intermediate output frequency points as a percentage of the target frequency, for 25%, 50%, and 75% acceleration time intervals.



| "A" Function | | | Run Mode Edit Lo Hi | Defaults | | | Units | SRW Display |
|--------------|--------------------------------------|--|---------------------------|----------|----------|----------|-------|---------------------|
| Func. Code | Name | Description | | -FE (EU) | -FU (US) | -FR (JP) | | |
| A131 | Acceleration curve constants setting | Sets the curve deviation from straight-line acceleration in ten levels: 01 smallest deviation 10 largest deviation | X ✓ | 02 | 02 | 02 | — | >A131 ACCEL GAIN 02 |
| A132 | Deceleration curve constants setting | Sets the curve deviation from straight-line deceleration in ten levels: 01 smallest deviation 10 largest deviation | X ✓ | 02 | 02 | 02 | — | >A132 DECEL GAIN 02 |

Additional Analog Input Settings

The parameters in the following table adjust the input characteristics of the analog inputs. When using the inputs to command the inverter output frequency, these parameters adjust the starting and ending ranges for the voltage or current, as well as the output frequency range. Related characteristic diagrams are located in [“Analog Input Settings” on page 3-11](#).

| “A” Function | | | Run Mode Edit Lo Hi | Defaults | | | Units | SRW Display |
|--------------|---|---|---------------------|----------|----------|----------|-------|---------------------------------|
| Func. Code | Name | Description | | -FE (EU) | -FU (US) | -FR (JP) | | |
| A101 | [OI]-[L] input active range start frequency | The output frequency corresponding to the current input range starting point. Range is 0.00 to 400.0 Hz | X ✓ | 00.0 | 00.0 | 00.0 | Hz | >A101 INPUT-OI EXS 0000.00Hz |
| A102 | [OI]-[L] input active range end frequency | The output frequency corresponding to the current input range ending point. Range is 0.00 to 400.0 Hz | X ✓ | 00.0 | 00.0 | 00.0 | Hz | >A102 INPUT-OI EXE 0000.00Hz |
| A103 | [OI]-[L] input active range start current | The starting point for the current input range. Range is 0 to 100% | X ✓ | 20. | 20. | 20. | % | >A103 INPUT-OI EX%S 020% |
| A104 | [OI]-[L] input active range end current | The ending point for the current input range. Range is 0 to 100% | X ✓ | 100. | 100. | 100. | % | >A104 INPUT-OI EX%E 100% |
| A105 | [OI]-[L] input start frequency enable | Two options: 00 Use A101 start value 01 Use 0Hz | X ✓ | 01 | 01 | 01 | Hz | >A105 INPUT-OI LEVEL 0Hz |
| A111 | [O2]-[L] input active range start frequency | The output frequency corresponding to the bipolar voltage input range starting point. Range is -400. to 400. Hz | X ✓ | 0.00 | 0.00 | 0.00 | Hz | >A111 INPUT-O2 EXS +000.00Hz |
| A112 | [O2]-[L] input active range end frequency | The output frequency corresponding to the bipolar voltage input range ending point. Range is -400. to 400. Hz | X ✓ | 0.00 | 0.00 | 0.00 | Hz | >A112 INPUT-O2 EXE +000.00Hz |
| A113 | [O2]-[L] input active range start voltage | The starting point for the bipolar voltage input range. Range is -100 to 100% | X ✓ | -100. | -100. | -100. | % | >A113 INPUT-O2 EX%S -100% |
| A114 | [O2]-[L] input active range end voltage | The ending point for the bipolar voltage input range. Range is -100 to 100% | X ✓ | 100. | 100. | 100. | % | >A114 INPUT-O2 EX%E +100% |

“B” Group: Fine-Tuning Functions

The “B” Group of functions and parameters adjust some of the more subtle but useful aspects of motor control and system configuration.

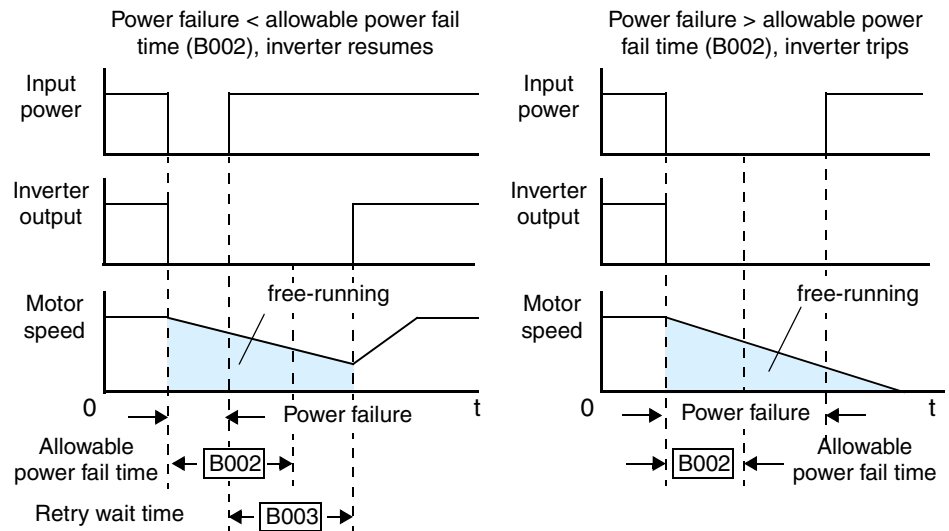
Automatic Restart Mode and Phase Loss

The restart mode determines how the inverter will resume operation after a fault causes a trip event. The four options provide advantages for various situations. Frequency matching allows the inverter to read the motor speed by virtue of its residual magnetic flux and restart the output at the corresponding frequency. The inverter can attempt a restart a certain number of times depending on the particular trip event:

- Over-current trip, restart up to 3 times
- Over-voltage trip, restart up to 3 times
- Under-voltage trip, restart up to 16 times

When the inverter reaches the maximum number of restarts (3 or 16), you must power-cycle the inverter to reset its operation.

Other parameters specify the allowable under-voltage level and the delay time before restarting. The proper settings depend on the typical fault conditions for your application, the necessity of restarting the process in unattended situations, and whether restarting is always safe.



Configuring Drive Parameters

| “B” Function | | | Run Mode Edit Lo Hi | Defaults | | | Units | SRW Display |
|--------------|-------------------------------------|---|------------------------|----------|----------|----------|-------|------------------------|
| Func. Code | Name | Description | | -FE (EU) | -FU (US) | -FR (JP) | | |
| B001 | Selection of automatic restart mode | Select inverter restart method, four option codes: 00 Alarm output after trip, automatic restart disabled 01 Restart at 0Hz 02 Resume operation after frequency matching 03 Resume previous freq. after freq. matching, then decelerate to stop and display trip info | ✗ ✓ | 00 | 00 | 00 | — | >b001 IPS POWER ALM |

| “B” Function | | | Run Mode Edit Lo Hi | Defaults | | | Units | SRW Display |
|--------------|---|---|---------------------|----------|----------|----------|-------|--------------------------|
| Func. Code | Name | Description | | -FE (EU) | -FU (US) | -FR (JP) | | |
| B002 | Allowable under-voltage power failure time | The amount of time a power input under-voltage can occur without tripping the power failure alarm. If under-voltage exists longer than this time, the inverter trips, even if the restart mode is selected. If it exists less than this time retry will be attempted. Range is 0.3 to 25.0 sec. | X ✓ | 1.0 | 1.0 | 1.0 | sec. | >b002 IPS TIME 1.0s |
| B003 | Retry wait time before motor restart | Time delay after a trip condition goes away before the inverter restarts the motor. Range is 0.3 to 100 seconds. | X ✓ | 1.0 | 1.0 | 1.0 | sec. | >b003 IPS WAIT 001.0s |
| B004 | Instantaneous power failure / under-voltage trip alarm enable | Three option codes: 00 Disable 01 Enable 02 Disable during stop and ramp to stop | X ✓ | 00 | 00 | 00 | — | >b004 IPS TRIP OFF |
| B005 | Number of restarts on power failure / under-voltage trip events | Two option codes: 00 Restart 16 times 01 Always restart | X ✓ | 00 | 00 | 00 | — | >b005 IPS RETRY 16 |
| B006 | Phase loss detection enable | Two option codes: 00 Disable – no trip on phase loss 01 Enable – trip on phase loss | X ✓ | 00 | 00 | 00 | — | >b006 PH-FAIL SELECT OFF |
| B007 | Restart frequency threshold | When the frequency of the motor is less than this value, the inverter will restart at 0 Hz. Range is 0.00 to 400.0 Hz | X ✓ | 0.00 | 0.00 | 0.00 | Hz | >b007 IPS F 0000.00Hz |

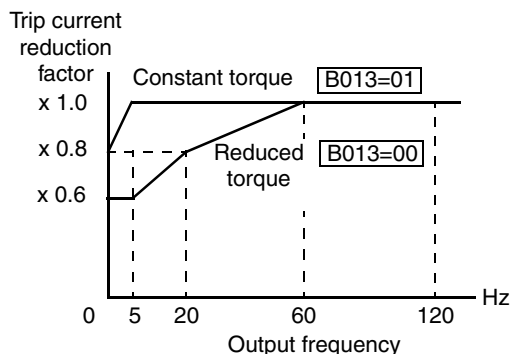


CAUTION: When a loss of phase occurs, increased ripple current will markedly reduce main capacitor life over time. Diode bridge failure can also result. If phase loss occurs under load, the inverter could be damaged. Please pay particular attention to the setting of function B006.

Electronic Thermal Overload Alarm Setting

The thermal overload detection protects the inverter and motor from overheating due to an excessive load. It uses a current/inverse time curve to determine the trip point. The thermal overload alarm [THM] is the resulting intelligent output.

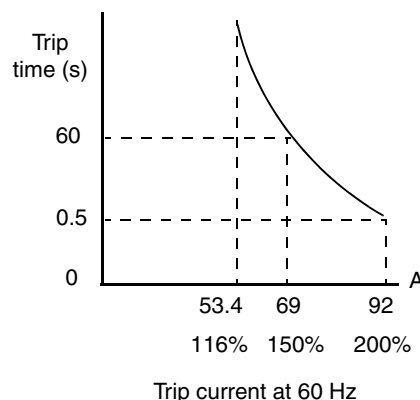
First, use B013 to select the torque characteristic that matches your load. This allows the inverter to utilize the best thermal overload characteristic for your application.



The torque developed in a motor is directly proportional to the current in the windings, which is also proportional to the heat generated (and temperature, over time). Therefore, you must set the thermal overload threshold in terms of current (amperes) with parameter B012. The range is 50% to 120% of the rated current for each inverter model. If the current exceeds the level you specify, the inverter will trip and log an event (error E5) in the history table. The inverter turns the motor output OFF when tripped. Separate settings are available for the second and third motors (if applicable), as shown in the table below.

| Function Code | Function/Description | Data or Range |
|------------------|---|---|
| B012/B212 / B312 | Electronic thermal setting (calculated within the inverter from current output) | Range is 0.2 * rated current to 1.2 * rated current |

For example, suppose you have inverter model SJ300-110LFE. The rated motor current is 46A. The setting range is (0.2 * 46) to (1.2 * 46), or 9.2A to 55.2A. For a setting of B012 = 46A (current at 100%), the figure to the right shows the curve.



The electronic thermal characteristic adjusts the way the inverter calculates thermal heating, based on the type of load connected to the motor, as set by parameter B013.

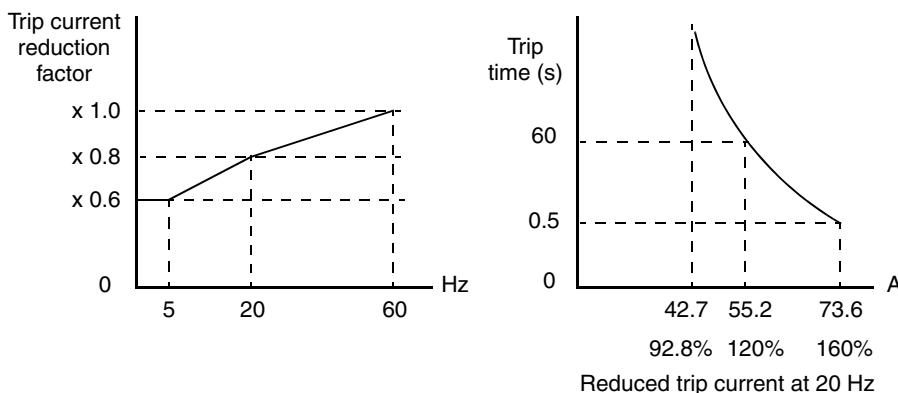


CAUTION: When the motor runs at lower speeds, the cooling effect of the motor's internal fan decreases.

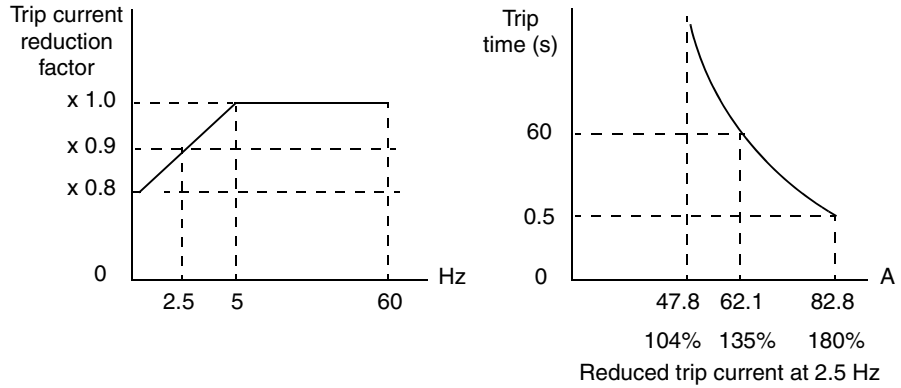
The table below shows the torque profile settings. Use the one that matches your load.

| Function Code | Data | Function/Description |
|--------------------|------|----------------------|
| B013 / B213 / B313 | 00 | Reduced torque |
| | 01 | Constant torque |
| | 02 | Free-setting |

Reduced Torque Characteristic – The example below shows the effect of the reduced torque characteristic curve (for example motor and current rating). At 20Hz, the output current is reduced by a factor of 0.8 for given trip times.



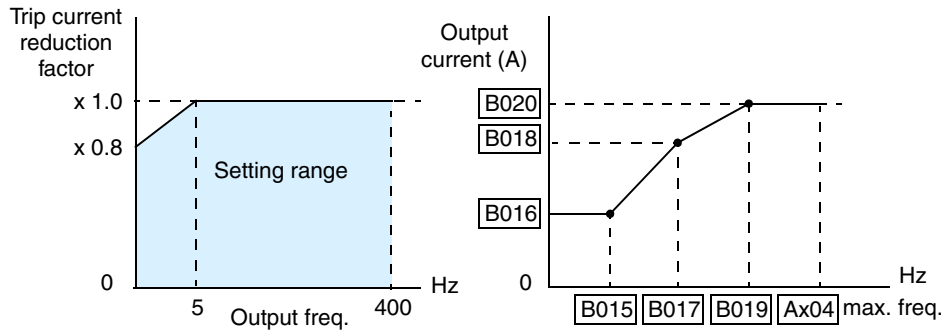
Constant Torque Characteristic – Selecting the constant torque characteristic for the example motor gives the curves below. At 2.5 Hz, the output current is reduced by a factor of 0.9 for given trip times.



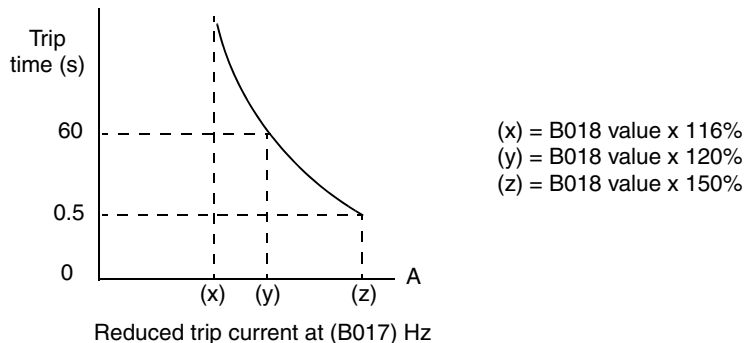
Free Thermal Characteristic - It is possible to set the electronic thermal characteristic using a free-form curve defined by three data points, according to the table below.

| Function Code | Name | Description | Range |
|--------------------|---|--|---------------------------------|
| B015 / B017 / B019 | Free-setting electronic thermal frequency 1, 2, 3 | Data point coordinates for Hz axis (horizontal) in the free-form curve | 0 to 400Hz |
| B016 / B018 / B020 | Free setting electronic thermal current 1, 2, 3 | Data point coordinates for Ampere axis (vertical) in the free-form curve | 0.0 = (disable) 0.1 to 1000. |

The left graph below shows the region for possible free-setting curves. The right graph below shows an example curve defined by three data points specified by B015 – B020.



Suppose the electronic thermal setting (B012) is set to 44 Amperes. The left graph below shows the effect of the free setting torque characteristic curve. For example, at (B017) Hz, the output current level to cause overheating in a fixed time period is reduced by a factor of (B018). The right graph below shows the reduced trip current levels in those conditions for given trip times.

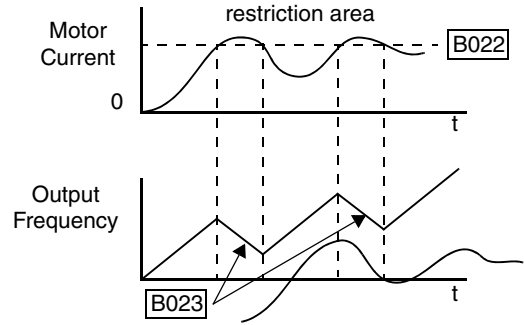


Any intelligent output terminal may be programmed to indicate a thermal warning [THM]. Parameter C061 determines the warning threshold. Please see [“Thermal Warning Signal” on page 4-55](#) for more details.

| “B” Function | | | Run Mode Edit Lo Hi | Defaults | | | Units | SRW Display |
|--------------|--|---|------------------------|---------------------------------------|----------|----------|-------|-------------------------------|
| Func. Code | Name | Description | | -FE (EU) | -FU (US) | -FR (JP) | | |
| B012 | Level of electronic thermal setting | Set a level between 50% and 120% of the inverter rated current | X ✓ | rated current for each inverter model | | | A | >b012 E-THM LEVEL 0016.5A |
| B212 | Level of electronic thermal setting, 2nd motor | Set a level between 50% and 120% of the inverter rated current | X ✓ | rated current for each inverter model | | | A | >b212 2E-THM LEVEL 0016.5A |
| B312 | Level of electronic thermal setting, 3rd motor | Set a level between 50% and 120% of the inverter rated current | X ✓ | rated current for each inverter model | | | A | >b312 3E-THM LEVEL 0016.5A |
| B013 | Electronic thermal characteristic | Select from three curves, option codes: 00 Reduced torque 01 Constant torque 02 V/f free-setting | X ✓ | 01 | 01 | 00 | — | >b013 E-THM CHAR CRT |
| B213 | Electronic thermal characteristic, 2nd motor | Select from three curves, option codes: 00 Reduced torque 01 Constant torque 02 V/f free-setting | X ✓ | 01 | 01 | 00 | — | >b213 2E-THM CHAR CRT |
| B313 | Electronic thermal characteristic, 3rd motor | Select from three curves, option codes: 00 Reduced torque 01 Constant torque 02 V/f free-setting | X ✓ | 01 | 01 | 00 | — | >b313 3E-THM CHAR CRT |
| B015 | Free setting, electronic thermal frequency (1) | Range is 0.0 to 400.0 Hz | X ✓ | 0. | 0. | 0. | Hz | >b015 E-THM F1 0000Hz |
| B016 | Free setting, electronic thermal current (1) | Range is 0.0 to 1000. A | X ✓ | 0.0 | 0.0 | 0.0 | A | >b016 E-THM A1 0000.0A |
| B017 | Free setting, electronic thermal frequency (2) | Range is 0.0 to 400.0 Hz | X ✓ | 0. | 0. | 0. | Hz | >b017 E-THM F2 0000Hz |
| B018 | Free setting, electronic thermal current (2) | Range is 0.0 to 1000. A | X ✓ | 0.0 | 0.0 | 0.0 | A | >b018 E-THM A2 0000.0A |
| B019 | Free setting, electronic thermal frequency (3) | Range is 0.0 to 400.0 Hz | X ✓ | 0. | 0. | 0. | Hz | >b019 E-THM F3 0000Hz |
| B020 | Free setting, electronic thermal current (3) | Range is 0.0 to 1000. A | X ✓ | 0.0 | 0.0 | 0.0 | A | >b020 E-THM A3 0000.0A |

Overload Restriction

If the inverter's output current exceeds a preset current level you specify during acceleration or constant speed, the overload restriction feature automatically reduces the output frequency to restrict the overload. This feature does not generate an alarm or trip event. You can instruct the inverter to apply overload restriction only during constant speed, thus allowing higher currents for acceleration. Or, you may use the same threshold for both acceleration and constant speed. In the case of controlled deceleration, the inverter monitors both output current and DC bus voltage. The inverter will increase output frequency to try to avoid a trip due to over-current or over-voltage (due to regeneration).



When the inverter detects an overload, it must decelerate the motor to reduce the current until it is less than the threshold. You can choose the rate of deceleration that the inverter uses to lower the output current.

| "B" Function | | | Run Mode Edit Lo Hi | Defaults | | | Units | SRW Display |
|--------------|---|---|---------------------|--------------------------|----------|----------|-------|----------------------------|
| Func. Code | Name | Description | | -FE (EU) | -FU (US) | -FR (JP) | | |
| B021 | Overload restriction operation mode | Select the operating mode during overload conditions, four options, option codes: 00 Disabled 01 Enabled for acceleration and constant speed 02 Enabled for constant speed only 03 Enabled for accel, decel, and constant speed | X ✓ | 01 | 01 | 01 | — | >b021 OLOAD 1MODE ON |
| B022 | Overload restriction setting | Sets the level for overload restriction, between 50% and 200% of the rated current of the inverter, setting resolution is 1% of rated current | X ✓ | rated current times 1.50 | | | A | >b022 OLOAD 1LEVEL 0024.8A |
| B023 | Deceleration rate at overload restriction | Sets the deceleration rate when inverter detects overload, range is 0.1 to 30.0, resolution is 0.1. | X ✓ | 1.00 | 1.00 | 1.00 | sec. | >b023 OLOAD 1CONST 01.00 |
| B024 | Overload restriction operation mode (2) | Select the operating mode during motor overload conditions, four options, option codes: 00 Disabled 01 Enabled for acceleration and constant speed 02 Enabled for constant speed only 03 Enabled for accel, decel, and constant speed | X ✓ | 01 | 01 | 01 | — | >b024 OLOAD 2MODE ON |

| "B" Function | | | Run Mode Edit Lo Hi | Defaults | | | Units | SRW Display |
|--------------|---|---|------------------------|-----------------------------|----------|----------|-------|-------------------------------|
| Func. Code | Name | Description | | -FE (EU) | -FU (US) | -FR (JP) | | |
| B025 | Overload restriction setting (2) | Sets the level for overload restriction (2), between 50% and 200% of the rated current of the inverter, setting resolution is 1% of rated current | X ✓ | rated current times 1.50 | | | A | >b025 OLOAD 2LEVEL 0024.8A |
| B026 | Deceleration rate at overload restriction (2) | Sets the deceleration rate (2) when inverter detects overload, range is 0.1 to 30.0, resolution is 0.1. | X ✓ | 1.00 | 1.00 | 1.00 | sec. | >b026 OLOAD 2CONST 01.00 |



NOTE: Two sets of overload restriction parameters are available. The set that is in use may be selected by means of an intelligent input terminal (see ["Overload Restriction" on page 4-35](#)).

Software Lock Mode

The software lock function keeps personnel from accidentally changing parameters in the inverter memory. Use B031 to select from various protection levels.

The table below lists all combinations of B031 option codes and the ON/OFF state of the [SFT] input. Each Check ✓ or Ex ✗ indicates whether the corresponding parameter(s) can be edited. The Standard Parameters column below lists Low and High level access for some lock modes. These refer to the parameter tables throughout this chapter, each of which includes a column titled *Run Mode Edit* as shown to the right. The two marks (Check ✓ or Ex ✗) under the “Lo Hi” subtitle indicate whether Low-level and/or High-level access applies to each parameter as defined in the table below. In some lock modes, you can edit only F001 and the Multi-speed parameter group that includes A020, A220, A320, A021–A035, and A038 (Jog). However, it does not include A019, Multi-speed operation selection. The editing access to B031 itself is unique, and is specified in the right-most two columns below.

| | | |
|--|----------------------|--|
| | Run Mode Edit | |
| | Lo Hi | |
| | ✗ ✓ | |

| B031 Lock Mode | [SFT] Intelligent Input | Standard Parameters | | F001 and Multi-speed | B031 | |
|----------------|-------------------------|---------------------|------------|----------------------|------|-----|
| | | Stop | Run | Stop or Run | Stop | Run |
| 00 | OFF | ✓ | Low-level | ✓ | ✓ | ✗ |
| | ON | ✗ | ✗ | ✗ | ✓ | ✗ |
| 01 | OFF | ✓ | Low-level | ✓ | ✓ | ✗ |
| | ON | ✗ | ✗ | ✓ | ✓ | ✗ |
| 02 | (ignored) | ✗ | ✗ | ✗ | ✓ | ✗ |
| 03 | (ignored) | ✗ | ✗ | ✓ | ✓ | ✗ |
| 10 | (ignored) | ✓ | High-level | ✓ | ✓ | ✓ |



NOTE: Since the software lock function B031 is always accessible when the motor is stopped, this feature is not the same as password protection used in other industrial control devices.

Configuring Drive Parameters

| “B” Function | | | Run Mode Edit Lo Hi | Defaults | | | Units | SRW Display |
|--------------|------------------------------|---|------------------------|----------|----------|----------|-------|-----------------------|
| Func. Code | Name | Description | | -FE (EU) | -FU (US) | -FR (JP) | | |
| B031 | Software lock mode selection | Prevents parameter changes in five options: 00 Low-level access, [SFT] input blocks all edits 01 Low-level access, [SFT] input blocks edits (except F001 and Multi-speed parameters) 02 No access to edits 03 No access to edits except F001 and Multi-speed parameters 10 High-level access, including B031 | ✗ ✓ | 01 | 01 | 01 | — | >b031 S-LOCK Mode MD1 |



NOTE: To disable parameter editing when using B031 lock modes 00 and 01, assign the [SFT] function to one of the intelligent input terminals. See “[Software Lock](#)” on page 4-25.

Miscellaneous Settings

The miscellaneous settings include scaling factors, initialization modes, and others. This section covers some of the most important settings you may need to configure.

| "B" Function | | | Run Mode Edit Lo Hi | Defaults | | | Units | SRW Display |
|--------------|----------------------------------|--|---------------------|----------|----------|----------|-------|-----------------------|
| Func. Code | Name | Description | | -FE (EU) | -FU (US) | -FR (JP) | | |
| B034 | Run/power-on warning time | Range is 0 to 65,530 hours | ✗ ✓ | 0. | 0. | 0. | hrs. | >b034 TIME WARN 00000 |
| B035 | Rotational direction restriction | Three option codes: 00 Enable for both dir. 01 Enable for forward only 02 Enable for reverse only | ✗ ✗ | 00 | 00 | 00 | — | >b035 LIMIT F/R FREE |
| B036 | Reduced voltage start selection | Seven option codes: 00 Short 01, 02, 03, 04, 05 (middle) 06 Long | ✗ ✓ | 06 | 06 | 06 | — | >b036 RVS ADJUST 06 |

Function Code Display Restriction – The inverter has the (optional) capability to suppress the display and editing of certain parameters. Use B037 to select the display options. The purpose of this feature is to hide particular secondary parameters that become unused or not applicable based on more fundamental parameter settings. For example, setting A001 = 01 configures the inverter to get its frequency command from the front keypad potentiometer. In this case, the inverter will not use the analog inputs nor their adjustment parameters for an external frequency command.

| "B" Function | | | Run Mode Edit Lo Hi | Defaults | | | Units | SRW Display |
|--------------|-----------------------------------|--|---------------------|----------|----------|----------|-------|---------------------|
| Func. Code | Name | Description | | -FE (EU) | -FU (US) | -FR (JP) | | |
| B037 | Function code display restriction | Three option codes: 00 Display all 01 Display only utilized functions (see table below) 02 Display user-selected functions only (configure with U01 to U12) | ✗ ✓ | 00 | 00 | 00 | — | >b037 DISP Mode ALL |

For example, you can set B037=01 to have the inverter suppress the displaying of all analog input parameters when A001=01, as shown in the first row of the following table.

| Function Code | Data | Resulting Non-displayed Functions (when B37 = 01) | Notes |
|---------------|----------------|--|------------------------------------|
| A001 | 01 | A005, A006, A011 – A016, A101 – A114, C081 – C083, C121 – C123 | [O], [OI], [O2] terminal functions |
| A002 | 01, 03, 04, 05 | B087 | Stop key function |
| A019 | 00 | A028 – A035 | Multi-speed function |
| C001 – C008 | 02, 03, 04, 05 | | |

| Function Code | Data | Resulting Non-displayed Functions (when B37 = 01) | Notes |
|------------------|------------|--|---------------------------------|
| A044, A244 | 02 | B100 – B113 | Control methods |
| A051 | 01 | A052 – A059 | DC braking |
| A071 | 01 | A072 – A076, C044 | PID function |
| A094 | 01 | A095 – A096 | 2-stage adjustable frequency |
| A294 | 01 | A0295 – A296 | |
| B013, B213, B313 | 02 | B015 – B020 | Electric thermal characteristic |
| B021 | 01, 02 | B022, B023 | Overload restriction |
| B024 | 01, 02 | B025, B026 | Overload restriction 2 |
| B095 | 01, 02 | B090 – B096 | Dynamic braking function |
| C001 – C008 | 06 | A038, A039 | Jogging |
| | 08 | F202, F203, A203, A204, A220, A241 – A244, A261, A262, A292 – A296, B212, B213, H202 – H206, H220 – H224, H230 – H234, H250 – H252, H260 | 2nd motor control |
| | 11 | B088 | Free-run stop |
| | 17 | F302, F303, A303, A304, A320, A342 – A344, A392, A393, B312, B313, H306 | 3rd motor control |
| | 18 | C102 | Reset |
| | 27, 28, 29 | C101 | UP/DWN |
| A044 | 00, 01 | A041 – A043 | Torque boost function |
| | 04 | H060 | 0Hz domain SLV limiter |
| A244 | 00, 01 | A241 – A243 | Torque boost function |
| | 04 | H260 | 0Hz SLV limiter |
| A044 | 03, 04, 05 | B040 – B046, H001, H070 – H072, H002, H005, H020 – H024, H030 – H034, H050 – H052, H060 | Vector control |
| A244 | 03, 04 | B040 – B046, H001, H070 – H072, H202, H205, H220 – H224, H230 – H234, H250 – H252, H260 | Vector control |
| A097 | 01, 02, 03 | A131 | Acceleration pattern constant |
| A098 | 01, 02, 03 | A132 | Deceleration pattern constant |
| B098 | 01, 02 | B099, C085 | Thermistor function |
| B050 | 01 | B051 – B054 | Instantaneous power failure |
| B120 | 01 | B121 – B126 | External brake control |

| Function Code | Data | Resulting Non-displayed Functions (when B37 = 01) | Notes |
|-------------------|--------|---|------------------------------|
| C021 – C025, C026 | 02, 06 | C042, C043 | Frequency arrival signal |
| | 03 | C040, C041 | Overload advance notice |
| | 07 | C055 – C058 | Over-torque |
| | 21 | C063 | Zero-speed detection signal |
| | 24, 25 | C045, C046 | Frequency arrival signal |
| | 26 | C011 | Overload advance notice 2 |
| H002 | 00 | H020 – H024 | Motor constant |
| | 01, 02 | H030 – H034 | Motor constant (auto-tuning) |
| H202 | 00 | H220 – H224 | Motor constant |
| | 01, 02 | H023 – H0234 | Motor constant (auto-tuning) |
| P010 | 01 | P011 – P023, P025 – P027 | Expansion card function |

| “B” Function | | | Run Mode Edit Lo Hi | Defaults | | | Units | SRW Display |
|--------------|--|--|---------------------|----------|----------|----------|-------|-----------------------------|
| Func. Code | Name | Description | | -FE (EU) | -FU (US) | -FR (JP) | | |
| B040 | Torque limit selection | Five option codes: 00 4-quadrant mode 01 Selected by 2 input terminals (see p. 4-37) 02 From analog [O2] input (0 to 10V = 0 to 200%) 03 From expansion card 1 04 From expansion card 2 | ✗ ✓ | 00 | 00 | 00 | — | >b040 TRQ-LIMIT Mode 4-SET |
| B041 | Torque limit (1) (forward-driving in 4-quadrant mode) | Range is 0 to 200% (torque limit disabled) | ✗ ✓ | 150. | 150. | 150. | % | >b041 RQ-LIMIT LEVEL1 150% |
| B042 | Torque limit (2) (reverse-regenerating in 4-quadrant mode) | Range is 0 to 200% (torque limit disabled) | ✗ ✓ | 150. | 150. | 150. | % | >b042 TRQ-LIMIT LEVEL2 150% |
| B043 | Torque limit (3) (reverse-driving in 4-quadrant mode) | Range is 0 to 200% (torque limit disabled) | ✗ ✓ | 150. | 150. | 150. | % | >b043 TRQ-LIMIT LEVEL3 150% |
| B044 | Torque limit (4) (forward-regenerating in 4-quadrant mode) | Range is 0 to 200% (torque limit disabled) | ✗ ✓ | 150. | 150. | 150. | % | >b044 TRQ-LIMIT LEVEL4 150% |
| B045 | Torque limit LADSTOP enable | Temporarily stops accel/ decel ramps during torque limit. Available for SLV, 0 Hz domain, or vector control with feedback mode. Two option codes: 00 Disable 01 Enable | ✗ ✓ | 00 | 00 | 00 | — | >b045 TRQ-LIMIT SELECT OFF |

| “B” Function | | | Run Mode Edit Lo Hi | Defaults | | | Units | SRW Display |
|--------------|-------------------------------|--|---------------------|----------|----------|----------|-------|----------------------|
| Func. Code | Name | Description | | -FE (EU) | -FU (US) | -FR (JP) | | |
| B046 | Reverse Run protection enable | Prohibits reverse motor rotation. Two option codes: 00 Disable 01 Enable | ✗ ✓ | 00 | 00 | 00 | — | >b046 LIMIT PREV OFF |

Controlled Deceleration at Power Loss – When enabled, this feature permits the inverter to control final motor deceleration upon loss of inverter input power. First, you must make a wiring change to the inverter. See [“Optional Controlled Decel and Alarm at Power Loss” on page 4-4](#) for complete instructions including wiring and signal timing diagrams for using the *controlled deceleration at power loss* feature.

After making the wiring change, use function B050 to enable the feature. Use B051 to determine the point at which a decaying DC bus voltage will trigger the controlled deceleration. Use parameter B054 to specify an initial step-wise deceleration at power loss, and B053 to specify the duration of the linear deceleration.

During the controlled deceleration the inverter itself acts as a load to decelerate the motor. With either a high-inertia load or a short deceleration time (or both), it is possible that the inverter impedance will not be low enough to continue linear deceleration and avoid an over-voltage condition on the DC bus. Use parameter B052 to specify a threshold for the over-voltage. In this case, the inverter pauses deceleration (runs at constant speed). When the DC bus decays again below the threshold, linear deceleration resumes. The pause/resume process will repeat as necessary until the DC bus energy is depleted (under-voltage condition occurs).

| “B” Function | | | Run Mode Edit Lo Hi | Defaults | | | Units | SRW Display |
|--------------|---|--|---------------------|----------|----------|----------|-------|-------------------------------|
| Func. Code | Name | Description | | -FE (EU) | -FU (US) | -FR (JP) | | |
| B050 | Controlled deceleration and stop on power loss | Allows inverter control using regenerative energy to decelerate after loss of input power (requires jumper change) Two option codes: 00 Disable 01 Enable | ✗ ✗ | 00 | 00 | 00 | — | >b050 IPS-DECEL Mode OFF |
| B051 | DC bus voltage trigger level during power loss | Sets trigger for controlled deceleration and stop on power loss function. Range is 0.0 to 1000.V | ✗ ✗ | 0.0 | 0.0 | 0.0 | VDC | >b051 IPS-DECEL V1 0000.0Vdc |
| B052 | Over-voltage threshold during power loss | Sets over-voltage threshold for controlled deceleration function. Range is 0.0 to 1000.V | ✗ ✗ | 0.0 | 0.0 | 0.0 | VDC | >b052 IPS-DECEL V2 0000.0Vdc |
| B053 | Deceleration time setting during power loss | Range is 0.01 to 99.99 sec. / 100.0 to 999.9 sec. / 1000 to 3600 sec. | ✗ ✗ | 1.00 | 1.00 | 1.00 | sec. | >b053 IPS-DECEL TIME 0001.00s |
| B054 | Initial output frequency decrease during power loss | Sets the initial decrease in output frequency upon power loss. Range is 0.00 to 10.00 Hz | ✗ ✗ | 0.00 | 0.00 | 0.00 | Hz | >b054 IPS-DECEL DEC-F 00.00Hz |

Miscellaneous functions, continued...

B083: Carrier frequency adjustment – The internal *switching frequency* of the inverter circuitry (also called the *chopper frequency*). It is called the carrier frequency because the lower AC output frequency of the inverter “rides” the carrier. The faint, high-pitched sound you hear when the inverter is in Run Mode is characteristic of switching power supplies in general. The carrier frequency is adjustable from 500 Hz to 15 kHz (the upper limit varies, depending on the inverter rating). The audible sound decreases at the higher frequencies, but RFI noise and leakage current may be increased. Refer to the specification derating curves in Chapter 1 to determine the maximum allowable carrier frequency setting for your particular inverter and environmental conditions.



NOTE: When the inverter is in sensorless vector mode, use B083 to set the carrier frequency greater than 2.1 kHz for proper operation.



NOTE: The carrier frequency setting must stay within specified limits for inverter-motor applications that must comply with particular regulatory agencies. For example, a European CE-approved application requires the inverter carrier to be less than 5 kHz.

B084, B085: Initialization codes – These functions allow you to restore the factory default settings. Please refer to [“Restoring Factory Default Settings” on page 6-9](#).

B086: Frequency display scaling – You can convert the output frequency monitor on D001 to a scaled number (engineering units) monitored at function D007. For example, the motor may run a conveyor that is monitored in feet per minute. Use this formula:

$$\text{Scaled output frequency (D007)} = \text{Output frequency (D001)} \times \text{Factor (B086)}$$

| “B” Function | | | Run Mode Edit Lo Hi | Defaults | | | Units | SRW Display |
|--------------|--|---|---------------------|----------|----------|----------|-------|-----------------------------|
| Func. Code | Name | Description | | -FE (EU) | -FU (US) | -FR (JP) | | |
| B080 | [AM] terminal analog meter adjustment | Adjust 8-bit gain to analog meter connected to terminal [AM], range is 0 to 255 | ✓ ✓ | 180 | 180 | 180 | — | >b080 AM-MONITOR ADJUST 180 |
| B081 | [FM] terminal analog meter adjustment | Adjust 8-bit gain to analog meter connected to terminal [FM], range is 0 to 255 | ✓ ✓ | 60 | 60 | 60 | — | >b081 FM-MONITOR ADJUST 060 |
| B082 | Start frequency adjustment | Sets the starting frequency for the inverter output, range is 0.10 to 9.99 Hz | ✗ ✓ | 0.50 | 0.50 | 0.50 | Hz | >b082 fmin F 00.50Hz |
| B083 | Carrier frequency setting | Sets the PWM carrier (internal switching frequency) Range is 0.5 to 15.0 kHz, or 0.5 to 10 kHz when derated | ✗ ✓ | 5.0 | 5.0 | 5.0 | kHz | >b083 CARRIER F 05.0kHz |
| B084 | Initialization mode (parameters or trip history) | Select the type of initialization to occur, three option codes: 00 Trip history clear 01 Parameter initialization 02 Trip history clear and parameter initialization | ✗ ✗ | 00 | 00 | 00 | — | >b084 INITIAL MODE TRP |

| "B" Function | | | Run Mode Edit Lo Hi | Defaults | | | Units | SRW Display |
|--------------|-------------------------------------|---|------------------------|----------|----------|----------|-------|-----------------------------|
| Func. Code | Name | Description | | -FE (EU) | -FU (US) | -FR (JP) | | |
| B085 | Country code for initialization | Select default parameter values for country on initialization, four option codes: 00 Japan version 01 Europe version 02 US version 03 reserved (do not set) | ✕ ✕ | 01 | 02 | 00 | — | >b085 INITIAL SELECT USA |
| B086 | Frequency scaling conversion factor | Specify a constant to scale D007 to display in engineering units. Range is 0.1 to 99.9 | ✓ ✓ | 1.0 | 1.0 | 1.0 | — | >b086 F-CONV Gain 001.0 |
| B087 | STOP key enable | Select whether the STOP key on the keypad is enabled (req. A002=01, 03, 04, or 05). Two option codes: 00 Enable 01 Disable | ✕ ✓ | 00 | 00 | 00 | — | >b087 STOP-SW SELECT ON |

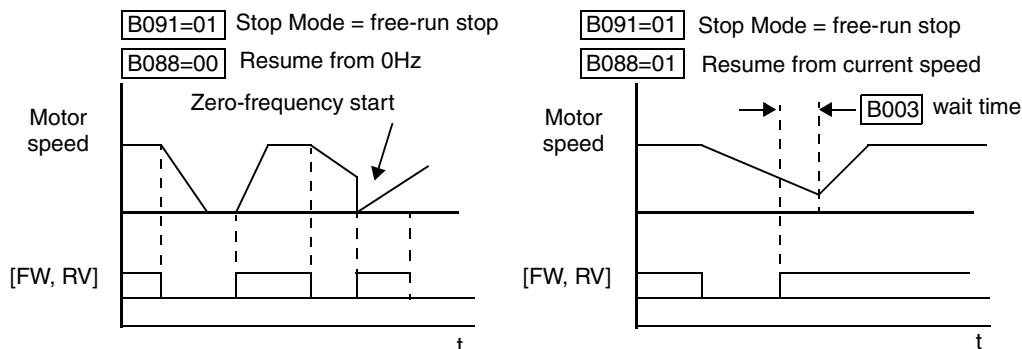
B091/B088: Stop Mode / Restart Mode Configuration – You can configure how the inverter performs a standard stop (each time Run FWD and REV signals turn OFF). Setting B091 determines whether the inverter will control the deceleration, or whether it will perform a free-run stop (coast to a stop). When using the free-run stop selection, it is imperative to also configure how you want the inverter to resume control of motor speed. Setting B088 determines whether the inverter will ensure the motor always resumes at 0 Hz, or whether the motor resumes from its current coasting speed (also called *frequency matching*). The Run command may turn OFF briefly, allowing the motor to coast to a slower speed from which normal operation can resume.

In most applications a controlled deceleration is desirable, corresponding to B091=00. However, applications such as HVAC fan control will often use a free-run stop (B091=01). This practice decreases dynamic stress on system components, prolonging system life. In this case, you will typically set B088=01 in order to resume from the current speed after a free-run stop (see diagram below, right). Note that using the default setting, B088=00, can cause trip events when the inverter attempts to force the load quickly to zero speed.



NOTE: Other events can cause (or be configured to cause) a free-run stop, such as power loss (see “Automatic Restart Mode and Phase Loss” on page 3-29), and inverter trip events in general (see “Miscellaneous Functions” on page 3-61). If all free-run stop behavior is important to your application (such as HVAC), be sure to configure each event accordingly.

Some additional parameters further configure all instances of a free-run stop. Parameter B003, Retry Wait Time Before Motor Restart, sets the minimum time the inverter will free-run. For example, if B003 = 4 seconds (and B091=01) and the cause of the free-run stop lasts 10 seconds, the inverter will free-run (coast) for a total of 14 seconds before driving the motor again. Parameter B007, Restart Frequency Threshold, sets the motor frequency at which the inverter will no longer resume and accelerate, instead resuming from 0 Hz (complete stop).



| “B” Function | | | Run Mode Edit Lo Hi | Defaults | | | Units | SRW Display |
|--------------|------------------------|---|---------------------|----------|----------|----------|-------|-------------------|
| Func. Code | Name | Description | | -FE (EU) | -FU (US) | -FR (JP) | | |
| B088 | Restart mode after FRS | Selects how the inverter resumes operation when the free-run stop (FRS) is cancelled, two option codes: 00 Restart from 0Hz 01 Restart from frequency detected from actual speed of motor | X ✓ | 00 | 00 | 00 | — | >b088 RUN FRS ZST |

| “B” Function | | | Run Mode Edit Lo Hi | Defaults | | | Units | SRW Display |
|--------------|---|---|------------------------|-------------|-------------|-------------|-------|------------------------------|
| Func. Code | Name | Description | | -FE (EU) | -FU (US) | -FR (JP) | | |
| B090 | Dynamic braking usage ratio | Selects the braking duty cycle for the dynamic braking resistor (total brake % ON-time per 100 sec. interval). Range is 0.0 to 100.0% 0% Dynamic braking disabled >0% Enabled, per value | X ✓ | 00 | 00 | 00 | — | >b090 BRD %ED 000.0% |
| B091 | Stop mode selection | Selects how the inverter stops the motor, two option codes: 00 DEC (decelerate and stop) 01 FRS (free run to stop) | X X | 00 | 00 | 00 | — | >b091 RUN STOP DEC |
| B092 | Cooling fan control (see note below) | Two option codes: 00 Fan always ON 01 Fan ON during RUN, OFF during STOP | X X | 00 | 00 | 00 | — | >b092 INITIAL FAN-CTL OFF |
| B095 | Dynamic braking control | Three option codes: 00 Disable 01 Enable during RUN only 02 Enable always | X ✓ | 00 | 00 | 00 | — | >b095 BRD Mode OFF |
| B096 | Dynamic braking activation level | Range is: 330 to 380V (200V class), 660 to 760V (400V class) | X ✓ | 360/ 720 | 360/ 720 | 360/ 720 | V | >b096 BRD LEVEL 360Vdc |
| B098 | Thermistor for thermal protection control | Three option codes: 00 Disable 01 Enable-PTC thermistor 02 Enable-NTC thermistor | X ✓ | 00 | 00 | 00 | — | >b098 THERM SELECT OFF |
| B099 | Thermal protection level setting | Thermistor resistance threshold at which trip occurs. Range is 0.0 to 9999 Ohms | X ✓ | 3000 | 3000 | 3000 | Ohms | >b099 THERM LEVEL 3000ohm |

B090: Dynamic braking usage ratio – This parameter limits the amount of time the inverter can use the dynamic braking accessory device without entering the Trip Mode. Please refer to [“Dynamic Braking” on page 5–6](#) for more information on dynamic braking accessories.



NOTE: When cooling fan control is enabled (B092=01) the inverter always turns the fan ON for 5 minutes immediately after powerup. This will cool the inverter in case the inverter / motor is still warm from prior running before a short power outage.

Free-setting V/f Pattern

The free-setting V/f inverter mode of operation uses voltage and frequency parameter pairs to define seven points on a V/f graph. This provides a way to define a multi-segment V/f curve that best suits your application.

The frequency settings do require that $F1 \leq F2 \leq F3 \leq F4 \leq F5 \leq F6 \leq F7$; their values must have this ascending order relationship. To satisfy this criterion during initial parameter editing, set F7 (B112) and work backwards when setting these values, since the defaults are all 0 Hz.

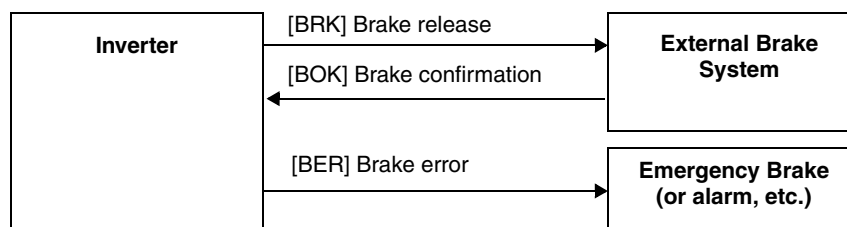
However, the voltages V1 to V7 may either increase or decrease from one to the next. Therefore, you may set these parameters in any order.

| "B" Function | | | Run Mode Edit Lo Hi | Defaults | | | Units | SRW Display |
|--------------|--------------------------------|-----------------------------------|---------------------|----------|----------|----------|-------|-----------------------------|
| Func. Code | Name | Description | | -FE (EU) | -FU (US) | -FR (JP) | | |
| B100 | Free-setting V/f frequency (1) | V/f point 1, frequency coordinate | ✕ ✕ | 0. | 0. | 0. | Hz | >b101 FREE-V/F V1 000.0V |
| B101 | Free-setting V/f voltage (1) | V.F point 1, voltage coordinate | ✕ ✕ | 0.0 | 0.0 | 0.0 | V | >b102 FREE-V/F F1 0000Hz |
| B102 | Free-setting V/f frequency (2) | V/f point 2, frequency coordinate | ✕ ✕ | 0. | 0. | 0. | Hz | >b103 FREE-V/F V2 000.0V |
| B103 | Free-setting V/f voltage (2) | V.F point 2, voltage coordinate | ✕ ✕ | 0.0 | 0.0 | 0.0 | V | >b104 FREE-V/F F2 0000Hz |
| B104 | Free-setting V/f frequency (3) | V/f point 3, frequency coordinate | ✕ ✕ | 0. | 0. | 0. | Hz | >b105 FREE-V/F V3 000.0V |
| B105 | Free-setting V/f voltage (3) | V.F point 3, voltage coordinate | ✕ ✕ | 0.0 | 0.0 | 0.0 | V | >b106 FREE-V/F F3 0000Hz |
| B106 | Free-setting V/f frequency (4) | V/f point 4, frequency coordinate | ✕ ✕ | 0. | 0. | 0. | Hz | >b107 FREE-V/F V4 000.0V |
| B107 | Free-setting V/f voltage (4) | V.F point 4, voltage coordinate | ✕ ✕ | 0.0 | 0.0 | 0.0 | V | >b108 FREE-V/F F4 0000Hz |
| B108 | Free-setting V/f frequency (5) | V/f point 5, frequency coordinate | ✕ ✕ | 0. | 0. | 0. | Hz | >b109 FREE-V/F V5 000.0V |
| B109 | Free-setting V/f voltage (5) | V.F point 5, voltage coordinate | ✕ ✕ | 0.0 | 0.0 | 0.0 | V | >b110 FREE-V/F F5 0000Hz |
| B110 | Free-setting V/f frequency (6) | V/f point 6, frequency coordinate | ✕ ✕ | 0. | 0. | 0. | Hz | >b111 FREE-V/F V6 000.0V |
| B111 | Free-setting V/f voltage (6) | V.F point 6, voltage coordinate | ✕ ✕ | 0.0 | 0.0 | 0.0 | V | >b112 FREE-V/F F6 0000Hz |
| B112 | Free-setting V/f frequency (7) | V/f point 7, frequency coordinate | ✕ ✕ | 0. | 0. | 0. | Hz | >b113 FREE-V/F V7 000.0V |
| B113 | Free-setting V/f voltage (7) | V.F point 7, voltage coordinate | ✕ ✕ | 0.0 | 0.0 | 0.0 | V | >b114 FREE-V/F F7 0000Hz |

External Brake Control

The brake control function in the inverter controls external braking used in systems such as elevators. The purpose of this function is to ensure the inverter is powering the motor before releasing external brakes that would permit the load to move or coast. This function requires the configuration and wiring of intelligent input and output terminals. See [“External Brake Control Function” on page 4-39](#) for more information.

| “B” Function | | | Run Mode Edit Lo Hi | Defaults | | | Units | SRW Display |
|--------------|----------------------------------|---|---------------------|---------------------------------------|----------|----------|-------|-----------------------------|
| Func. Code | Name | Description | | -FE (EU) | -FU (US) | -FR (JP) | | |
| B120 | Brake Control Enable | Two option codes: 00 Disable 01 Enable | X ✓ | 00 | 00 | 00 | — | >b120 BRAKE Mode OFF |
| B121 | Brake Wait Time for Release | Sets time delay between arrival at release frequency and the brake release signal. Range is 0.00 to 5.00 sec. | X ✓ | 0.00 | 0.00 | 0.00 | sec. | >b121 BRAKE STA-WAIT 0.00s |
| B122 | Brake Wait Time for Acceleration | Sets time delay after brake confirmation signal is received until the inverter begins acceleration. Range is 0.00 to 5.00 sec. | X ✓ | 0.00 | 0.00 | 0.00 | sec. | >b122 BRAKE ACC-WAIT 0.00s |
| B123 | Brake Wait Time for Stopping | Sets time delay after brake confirmation signal turns OFF until decelerating the inverter to 0 Hz. Range is 0.00 to 5.00 sec. | X ✓ | 0.00 | 0.00 | 0.00 | sec. | >b123 BRAKE STP-WAIT 0.00s |
| B124 | Brake Wait Time for Confirmation | Sets the wait time for confirmation after turn ON/OFF of brake release. If confirmation is not received during the specified wait time, the inverter will trip with an external brake error. Range is 0.00 to 5.00 sec. | X ✓ | 0.00 | 0.00 | 0.00 | sec. | >b124 BRAKE BRK-WAIT 0.00s |
| B125 | Brake Release Frequency Setting | Sets the frequency at which the inverter will output the brake release signal after delay set by B121. Range is 0.00 to 99.99 / 100.0 to 400.0Hz | X ✓ | 0.00 | 0.00 | 0.00 | Hz | >b125 BRAKE OPEN-F 000.00Hz |
| B126 | Brake Release Current Setting | Sets the minimum inverter current level above which the brake release signal will be permitted. Range is 0% to 200% of rated current | X ✓ | Rated current for each inverter model | | | A | >b126 BRAKE OPEN-A 00.16.5A |



“C” Group: Intelligent Terminal Functions

The eight input terminals [1], [2], [3], [4], [5], [6], [7], and [8] can be configured for any of 44 different functions. The next two tables show how to configure the eight terminals. The inputs are logical, in that they are either OFF or ON. We define these states as OFF=0, and ON=1.

The inverter comes with default options for the eight terminals. These default settings are initially unique, each one having its own setting. Note that European and US versions have different default settings. You can use any option on any terminal, and even use the same option twice to create a logical OR (though usually not required).

Input Terminal Configuration

Functions and Options –The *function codes* in the following table let you assign one of 44 options to any of the eight logic inputs for the SJ300 inverters. The functions C001 through C008 configure the terminals [1] through [8] respectively. The “value” of these particular parameters is not a scalar value, but it is a discrete number that selects one option from many available *options*.

For example, if you set function C001=01, you have assigned option 01 (Reverse Run) to terminal [1]. The option codes and the specifics of how each one works are in Chapter 4.

| “C” Function | | | Run Mode Edit Lo Hi | Defaults | | | Units | SRW Display |
|--------------|-----------------------|--|---------------------|----------|----------|----------|-------|-------------------|
| Func. Code | Name | Description | | -FE (EU) | -FU (US) | -FR (JP) | | |
| C001 | Terminal [1] function | 44 programmable functions available for terminals (see next section) | X ✓ | 18 [RS] | 18 [RS] | 18 [RS] | — | >C001 IN-TM 1 RS |
| C002 | Terminal [2] function | | X ✓ | 16 [AT] | 16 [AT] | 16 [AT] | — | >C002 IN-TM 2 AT |
| C003 | Terminal [3] function | | X ✓ | 06 [JG] | 06 [JG] | 06 [JG] | — | >C003 IN-TM 3 JG |
| C004 | Terminal [4] function | | X ✓ | 11 [FRS] | 11 [FRS] | 11 [FRS] | — | >C004 IN-TM 4 FRS |
| C005 | Terminal [5] function | | X ✓ | 09 [2CH] | 09 [2CH] | 09 [2CH] | — | >C005 IN-TM 5 2CH |
| C006 | Terminal [6] function | | X ✓ | 03 [CF2] | 13 [USP] | 03 [CF2] | — | >C006 IN-TM 6 USP |
| C007 | Terminal [7] function | | X ✓ | 02 [CF1] | 02 [CF1] | 02 [CF1] | — | >C007 IN-TM 7 CF1 |
| C008 | Terminal [8] function | | X ✓ | 01 [RV] | 01 [RV] | 01 [RV] | — | >C008 IN-TM 8 RV |

The input logic convention is programmable for each of the six inputs. Most inputs default to normally open (active high), but you can select normally closed (active low) in order to invert the sense of the logic.

| “C” Function | | | Run Mode Edit Lo Hi | Defaults | | | Units | SRW Display |
|---------------|----------------------------|---|------------------------------|-------------|-------------|-------------|-------|--------------------------|
| Func. Code | Name | Description | | -FE (EU) | -FU (US) | -FR (JP) | | |
| C011 | Terminal [1] active state | Select logic convention, two option codes: 00 normally open N.O. 01 normally closed N.C. | X ✓ | 00 | 00 | 00 | — | >C011 IN-TM O/C-1 NO |
| C012 | Terminal [2] active state | | X ✓ | 00 | 00 | 00 | — | >C012 IN-TM O/C-2 NO |
| C013 | Terminal [3] active state | | X ✓ | 00 | 00 | 00 | — | >C013 IN-TM O/C-3 NO |
| C014 | Terminal [4] active state | | X ✓ | 00 | 00 | 00 | — | >C014 IN-TM O/C-4 NO |
| C015 | Terminal [5] active state | | X ✓ | 00 | 00 | 00 | — | >C015 IN-TM O/C-5 NO |
| C016 | Terminal [6] active state | | X ✓ | 00 | 01 | 00 | — | >C016 IN-TM O/C-6 NO |
| C017 | Terminal [7] active state | | X ✓ | 00 | 00 | 00 | — | >C017 IN-TM O/C-7 NO |
| C018 | Terminal [8] active state | | X ✓ | 00 | 00 | 00 | — | >C018 IN-TM O/C-8 NO |
| C019 | Terminal [FW] active state | | X ✓ | 00 | 00 | 00 | — | >C019 IN-TM O/C-FW NO |



NOTE: An input terminal configured for option code 18 ([RS] Reset command) cannot be configured for normally closed operation.

Intelligent Input Terminal Overview

Each of the eight intelligent terminals may be assigned any of the options in the following table. When you program one of the option codes for terminal assignments C001 to C008, the respective terminal assumes the function role of that option code. The terminal functions have a symbol or abbreviation, which we use to label a terminal using that function. For example the “Reverse Run” command is [RV]. The physical label on the terminal block connector is simply **1, 2, 3, 4, 5, 6, 7, or 8**. However, schematic examples in this manual also use the terminal function symbol (such as [RV]) to show the assigned option. The option codes for C011 to C019 determine the active state of the logical input (active high or active low).

Summary Table - This table shows all forty-four intelligent input functions at a glance. Detailed descriptions of these functions, related parameters and settings, and example wiring diagrams are in [“Using Intelligent Input Terminals” on page 4-11](#).

| Input Function Summary Table | | | | |
|------------------------------|-----------------|--|-------------|--|
| Option Code | Terminal Symbol | Function Name | Description | |
| 01 | RV | Reverse Run/Stop | ON | Inverter is in Run Mode, motor runs reverse |
| | | | OFF | Inverter is in Stop Mode, motor stops |
| 02 | CF1 | Multi-speed select, Bit 0 (LSB) | ON | Binary encoded speed select, Bit 0, logical 1 |
| | | | OFF | Binary encoded speed select, Bit 0, logical 0 |
| 03 | CF2 | Multi-speed select, Bit 1 | ON | Binary encoded speed select, Bit 1, logical 1 |
| | | | OFF | Binary encoded speed select, Bit 1, logical 0 |
| 04 | CF3 | Multi-speed select, Bit 2 | ON | Binary encoded speed select, Bit 2, logical 1 |
| | | | OFF | Binary encoded speed select, Bit 2, logical 0 |
| 05 | CF4 | Multi-speed select, Bit 3 (MSB) | ON | Binary encoded speed select, Bit 3, logical 1 |
| | | | OFF | Binary encoded speed select, Bit 3, logical 0 |
| 06 | JG | Jogging | ON | Inverter is in Run Mode, output to motor runs at jog parameter frequency A038 |
| | | | OFF | Inverter is in Stop Mode |
| 07 | DB | External Signal for DC Injection Braking | ON | DC braking will be applied during deceleration |
| | | | OFF | DC braking will not be applied |
| 08 | SET | Set (select) 2nd Motor Data | ON | The inverter uses 2nd motor parameters for generating frequency output to motor |
| | | | OFF | The inverter uses 1st (main) motor parameters for generating frequency output to motor |
| 09 | 2CH | 2-stage Acceleration and Deceleration | ON | Frequency output uses 2nd-stage acceleration and deceleration values |
| | | | OFF | Frequency output uses standard acceleration and deceleration values |
| 11 | FRS | Free-run Stop | ON | Causes output to turn OFF, allowing motor to free run (coast) to stop |
| | | | OFF | Output operates normally, so controlled deceleration stops motor |
| 12 | EXT | External Trip | ON | When assigned input transitions OFF to ON, inverter latches trip event and displays E12 |
| | | | OFF | No trip event for ON to OFF transition; any recorded trip events remain in history until Reset |

Input Function Summary Table

| Option Code | Terminal Symbol | Function Name | Description | |
|-------------|-----------------|-------------------------------------|-------------|--|
| 13 | USP | Unattended Start Protection | ON | On powerup, the inverter will not resume a Run command (mostly used in the US) |
| | | | OFF | On powerup, the inverter will resume a RUN command that was active before power loss |
| 14 | CS | Commercial Power Source | ON | OFF-to-ON transition signals the inverter that the motor is already running at powerup (via bypass), thus suppressing the inverter's motor output in Run Mode |
| | | | OFF | ON-to-OFF transition signals the inverter to apply a time delay (B003), frequency match its output to existing motor speed, and resume normal Run Mode operation |
| 15 | SFT | Software Lock | ON | The keypad and remote programming devices are prevented from changing parameters |
| | | | OFF | The parameters may be edited and stored |
| 16 | AT | Analog Input Voltage/current Select | ON | If A005=00, terminal [OI] is enabled for input. If A005=01, terminal [O2] is enabled for input. (Use terminal [L] for signal return.) |
| | | | OFF | Terminal [O] is enabled for voltage input (Use terminal [L] for signal return) |
| 17 | SET3 | Set (select) 3rd motor data | ON | The inverter uses 3rd motor parameters for generating frequency output to motor |
| | | | OFF | The inverter uses 1st (main) motor parameters for generating frequency output to motor |
| 18 | RS | Reset Inverter | ON | The trip condition is reset, the motor output is turned OFF, and powerup reset is asserted |
| | | | OFF | Normal power-on operation |
| 20 | STA | START (3-wire interface) | ON | Starts the motor rotation |
| | | | OFF | No change to present motor status |
| 21 | STP | STOP (3-wire interface) | ON | Stops the motor rotation |
| | | | OFF | No change to present motor status |
| 22 | F/R | FWD, REV (3-wire interface) | ON | Selects the direction of motor rotation: ON = FWD. While the motor is rotating, a change of F/R will start a deceleration, followed by a change in direction. |
| | | | OFF | Selects the direction of motor rotation: OFF =REV. While the motor is rotating, a change of F/R will start a deceleration, followed by a change in direction. |
| 23 | PID | PID Disable | ON | Temporarily disables PID loop control. Inverter output turns OFF as long as PID Enable is active (A071=1). |
| | | | OFF | Has no effect on PID loop operation, which operates normally if PID Enable is active (A071 = 1). |

| Input Function Summary Table | | | | |
|------------------------------|-----------------|---|-------------|--|
| Option Code | Terminal Symbol | Function Name | Description | |
| 24 | PIDC | PID Reset | ON | Resets the PID loop controller. The main consequence is that the integrator sum is forced to zero. |
| | | | OFF | No effect on PID loop controller |
| 26 | CAS | Control gain setting | ON | Selects alternate parameters H070 to H072 for the source of the internal speed loop gain |
| | | | OFF | Selects parameters H050 to H052 (or H250 to H252 for 2nd motor) for the source of internal speed loop gain |
| 27 | UP | Remote Control UP Function (motorized speed pot.) | ON | Accelerates (increases output frequency) motor from current frequency |
| | | | OFF | No change to output frequency |
| 28 | DWN | Remote Control DOWN Function (motorized speed pot.) | ON | Decelerates (decreases output frequency) motor from current frequency |
| | | | OFF | No change to output frequency |
| 29 | UDC | Remote Control Data Clearing | ON | Clears the UP/DWN frequency memory by forcing it to equal the set frequency parameter F001. Setting C101 must be set=00 to enable this function to work. |
| | | | OFF | UP/DWN frequency memory is not changed |
| 31 | OPE | Operator Control | ON | Forces the source of the output frequency setting (A001) and the source of the RUN command (A002) to be from the digital operator |
| | | | OFF | Source of output frequency set by (A001) and source of run command set by (A002) is used |
| 32 | SF1 | Multispeed bit 1 | ON | Logical 1 |
| | | | OFF | Logical 0 |
| 33 | SF2 | Multispeed bit 2 | ON | Logical 1 |
| | | | OFF | Logical 0 |
| 34 | SF3 | Multispeed bit 3 | ON | Logical 1 |
| | | | OFF | Logical 0 |
| 35 | SF4 | Multispeed bit 4 | ON | Logical 1 |
| | | | OFF | Logical 0 |
| 36 | SF5 | Multispeed bit 5 | ON | Logical 1 |
| | | | OFF | Logical 0 |
| 37 | SF6 | Multispeed bit 6 | ON | Logical 1 |
| | | | OFF | Logical 0 |
| 38 | SF7 | Multispeed bit 7 | ON | Logical 1 |
| | | | OFF | Logical 0 |

Input Function Summary Table

| Option Code | Terminal Symbol | Function Name | Description | |
|-------------|-----------------|---|-------------|--|
| 39 | OLR | Overload restriction | ON | Selects current overload parameter set 2 (B024, B025, B026) |
| | | | OFF | Selects current overload parameter set 1 (B021, B022, B023) |
| 40 | TL | Torque limit enable | ON | Enables torque limit feature |
| | | | OFF | Disables all torque limit sources. Defaults to 200% of inverter rated torque output. |
| 41 | TRQ1 | Torque limit selection, bit 1 (LSB) | ON | Logical 1 |
| | | | OFF | Logical 0 |
| 42 | TRQ2 | Torque limit selection, bit 2 (MSB) | ON | Logical 1 |
| | | | OFF | Logical 0 |
| 43 | PPI | Proportional / Proportional/Integral mode selection | ON | Selects Proportional-only control |
| | | | OFF | Selects Proportional-Integral control |
| 44 | BOK | Brake confirmation signal | ON | Indicates external brake has released (used only for external brake control function) |
| | | | OFF | Indicates the external brake has not yet released |
| 45 | ORT | Orientation (home search) | ON | The encoder is in the home (oriented) position |
| | | | OFF | The encoder position is not in the home position |
| 46 | LAC | LAC: LAD cancel | ON | Disables the Linear Accel / Decel (LAD) mode |
| | | | OFF | Normal Linear Accel / Decel mode |
| 47 | PCLR | Position deviation reset | ON | Clears the position deviation by setting the actual position equal to the desired position |
| | | | OFF | Position count operates normally |
| 48 | STAT | Pulse train position command input enable | ON | Enables the pulse train control of motor |
| | | | OFF | Disables pulse train control of motor |
| no | — | Not selected | ON | (input ignored) |
| | | | OFF | (input ignored) |

Output Terminal Configuration

The inverter provides configuration for logic (discrete) and analog outputs, shown in the table below.

| “C” Function | | | Run Mode Edit Lo Hi | Defaults | | | Units | SRW Display |
|--------------|-------------------------------|---|---------------------|-----------------|-----------------|-----------------|-------|---------------------------|
| Func. Code | Name | Description | | -FE (EU) | -FU (US) | -FR (JP) | | |
| C021 | Terminal [11] function * | 22 programmable functions available for logic (discrete) outputs (see next section) | X ✓ | 01 [FA1] | 01 [FA1] | 01 [FA1] | — | >C021 OUT-TM 11 FA1 |
| C022 | Terminal [12] function * | | X ✓ | 00 [RUN] | 00 [RUN] | 00 [RUN] | — | >C022 OUT-TM 12 RUN |
| C023 | Terminal [13] function * | | X ✓ | 03 [OL] | 03 [OL] | 03 [OL] | — | >C023 OUT-TM 13 OL |
| C024 | Terminal [14] function * | | X ✓ | 07 [OTQ] | 07 [OTQ] | 07 [OTQ] | — | >C024 OUT-TM 14 OTQ |
| C025 | Terminal [15] function | | X ✓ | 08 [IP] | 08 [IP] | 08 [IP] | — | >C025 OUT-TM 15 IP |
| C026 | Alarm relay terminal function | | X ✓ | 05 [AL] | 05 [AL] | 05 [AL] | — | >C026 OUT-TM AL AL |
| C027 | [FM] signal selection | 8 programmable functions available for analog outputs (see after next section) | X ✓ | 00 output freq. | 00 output freq. | 00 output freq. | — | >C027 FM-MONITOR KIND A-F |
| C028 | [AM] signal selection | | X ✓ | 00 output freq. | 00 output freq. | 00 output freq. | — | >C028 AM-MONITOR KIND A-F |
| C029 | [AMI] signal selection | | X ✓ | 00 output freq. | 00 output freq. | 00 output freq. | — | >C029 AMI-MON KIND A-F |



NOTE: *Terminals [11] – [13] or [11] – [14] are automatically configured as AC0 – AC2 or AC0 – AC3 when C62 is configured to enable alarm code output.

The output logic convention is programmable for terminals [11] – [15], and the alarm relay terminals. The open-collector output terminals [11] – [15] default to normally open (active low), but you can select normally closed (active high) for the terminals in order to invert the sense of the logic. You can invert the logical sense of the alarm relay output as well.

| “C” Function | | | Run Mode Edit Lo Hi | Defaults | | | Units | SRW Display |
|--------------|-----------------------------------|--|------------------------|----------|----------|----------|-------|---------------------------|
| Func. Code | Name | Description | | -FE (EU) | -FU (US) | -FR (JP) | | |
| C031 | Terminal [11] active state | Select logic convention, two option codes: 00 normally open N.O. 01 normally closed N.C. | X ✓ | 00 | 00 | 00 | — | >C031 OUT-TM O/C-11 NO |
| C032 | Terminal [12] active state | | X ✓ | 00 | 00 | 00 | — | >C032 OUT-TM O/C-12 NO |
| C033 | Terminal [13] active state | | X ✓ | 00 | 00 | 00 | — | >C033 OUT-TM O/C-13 NO |
| C034 | Terminal [14] active state | | X ✓ | 00 | 00 | 00 | — | >C034 OUT-TM O/C-14 NO |
| C035 | Terminal [15] active state | | X ✓ | 00 | 00 | 00 | — | >C035 OUT-TM O/C-15 NO |
| C036 | Alarm relay terminal active state | | X ✓ | 01 | 01 | 01 | — | >C036 OUT-TM O/C-AL NC |

Output Summary Table - This table shows all twenty-two functions for the logic output terminals [11] – [15] at a glance. Detailed function descriptions, related parameters, settings, and example wiring diagrams are in [“Using Intelligent Output Terminals”](#) on page 4-42.

| Output Function Summary Table | | | | |
|-------------------------------|-----------------|---|-------------|--|
| Option Code | Terminal Symbol | Function Name | Description | |
| 00 | RUN | Run signal | ON | Inverter is in Run Mode, motor running |
| | | | OFF | Inverter is in Stop Mode, motor stopped |
| 01 | FA1 | Frequency arrival type 1 – constant speed | ON | when output to motor is at the standard set frequency F001 |
| | | | OFF | when output to motor is not at the set frequency F001 |
| 02 | FA2 | Frequency arrival type 2 – over-frequency | ON | when output to motor is at or above the FA Threshold 1 (C042) during accel |
| | | | OFF | when the output to motor is below the FA Threshold 1 (C043) during decel |
| 03 | OL | Overload advance notice signal (1) | ON | when output current is more than the set Threshold 1 for the overload signal (set with C041) |
| | | | OFF | when output current is less than the set Threshold 1 for the overload signal |
| 04 | OD | Output deviation for PID control | ON | when PID error is more than the set threshold for the deviation signal |
| | | | OFF | when PID error is less than the set threshold for the deviation signal |
| 05 | AL | Alarm signal | ON | when the alarm condition has been met and not reset |
| | | | OFF | when the alarm had not tripped since the previous power cycle or since the previous keypad reset |

Output Function Summary Table

| Option Code | Terminal Symbol | Function Name | Description | |
|-------------|-----------------|---|-------------|---|
| 06 | FA3 | Frequency arrival type 3 – at frequency | ON | when output to motor is at the FA Threshold 1 (C042) during accel, or at C043 during decel |
| | | | OFF | when the output to motor is not at either the FA Threshold 1 (C042) during accel or at C043 during decel |
| 07 | OTQ | Over-torque signal | ON | when the over-torque feature is enabled and the motor is generating excess torque |
| | | | OFF | when the over-torque feature is disabled or the motor is not generating excess torque |
| 08 | IP | Instantaneous power failure signal | ON | when the inverter input power has decreased below the acceptable input voltage level |
| | | | OFF | when the inverter input power is within rated range |
| 09 | UV | Under-voltage signal | ON | when the inverter input power has decreased below the acceptable input voltage level |
| | | | OFF | when the inverter input power is within rated range |
| 10 | TRQ | In torque limit | ON | when the output torque exceeds level set for the particular torque/frequency quadrant in effect during operation |
| | | | OFF | when the output torque is less than the level set for the operating quadrant |
| 11 | RNT | Operation time over | ON | when the inverter Run time exceeds the limit set by Run/power-on warning time (B034) |
| | | | OFF | when the inverter Run time is less than the limit set by Run/power-on warning time (B034) |
| 12 | ONT | Plug-in time over | ON | when the inverter plug-in time exceeds the set limit |
| | | | OFF | when the inverter plug-in time is less than the limit |
| 13 | THM | Thermal alarm signal | ON | when the thermal limit for the motor is exceeded |
| | | | OFF | when the thermal limit is not exceeded |
| 19 | BRK | Brake release signal | ON | when the inverter signals the external braking system to release (open) its brake |
| | | | OFF | when the inverter is not driving the motor, and needs the external brake engaged |
| 20 | BER | Brake error signal | ON | when the output current is less than the set releasing current |
| | | | OFF | when the braking function is not in use, or when the output current to the motor is correct and it is safe to release the brake |
| 21 | ZS | Zero speed detect | ON | when the encoder pulses of the motor has stopped |
| | | | OFF | when motor rotation causes encoder pulses |
| 22 | DSE | Speed deviation maximum | ON | when the velocity error exceeds the error threshold defined for the encoder input |
| | | | OFF | when the velocity error is less than the error threshold defined for the encoder input |

| Output Function Summary Table | | | | |
|-------------------------------|-----------------|---|-------------|--|
| Option Code | Terminal Symbol | Function Name | Description | |
| 23 | POK | Positioning completion | ON | when the load position is at the target |
| | | | OFF | when the load position is not yet at the target |
| 24 | FA4 | Frequency arrival type 4 – over-frequency (2) | ON | when output to motor is at or above the FA threshold 2 (C045) during accel |
| | | | OFF | when the output to motor is below the FA threshold 2 (C046) during decel |
| 25 | FA5 | Frequency arrival type 5 – at frequency (2) | ON | when output to motor is at the FA threshold 2 (C045) during accel, or at C046 during decel |
| | | | OFF | when the output to motor is not at either the FA threshold 2 (C045) during accel or at C046 during decel |
| 26 | OL2 | Overload notice advance signal (2) | ON | when output current is more than the set Threshold 2 for the overload signal (set with C111) |
| | | | OFF | when output current is less than the set Threshold 2 for the overload signal |

Analog Summary Table - The following table shows all eight functions available for assignment to the three analog output terminals [FM], [AM], [AMI] at a glance. Detailed descriptions, related parameters and settings, and example wiring diagrams are in [“Analog Output Operation”](#) on page 4-62.

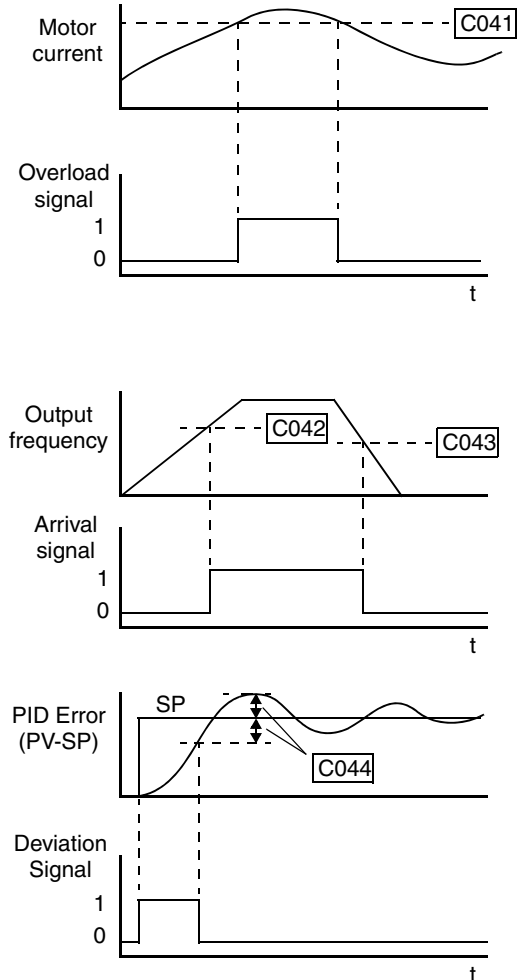
| Analog Output Function Summary Table | | | |
|--------------------------------------|-----------------------------|--|----------------------------|
| Option Code | Function Name | Description | Corresponding Signal Range |
| 00 | Output frequency | Actual motor speed, represented by PWM signal | 0 to max. frequency in Hz |
| 01 | Output current | Motor current (% of maximum rated output current), represented by PWM signal | 0 to 200% |
| 02 | Output torque | Rated output torque | 0 to 200% |
| 03 | Digital output frequency | Output frequency (available only at FM output) | 0 to max. frequency in Hz |
| 04 | Output voltage | Rated output voltage to motor | 0 to 100% |
| 05 | Input power | Rated input power | 0 to 200% |
| 06 | Electronic thermal overload | Percentage of electronic overload attained | 0 to 100% |
| 07 | LAD frequency | Internal ramp generator frequency | 0 to max. frequency in Hz |

Output Function Adjustment Parameters

The following parameters work in conjunction with the intelligent output function, when configured. The overload level parameter (C041) sets the motor current level at which the overload signal [OL] turns ON. The range of settings is from 0% to 200% of the rated current for the inverter. This function is for generating an early warning logic output, without causing either a trip event or a restriction of the motor current (those effects are available on other functions).

The frequency arrival signal, [FA1] to [FA5], is intended to indicate when the inverter output has reached (arrived at) the target frequency. You can adjust the timing of the leading and trailing edges of the signal via two parameters specific to acceleration and deceleration ramps, C042 and C043.

The Error for the PID loop is the magnitude (absolute value) of the difference between the Setpoint (desired value) and Process Variable (actual value). The PID output deviation signal [OD] (output terminal function option code 04) indicates when the error magnitude has exceeded a magnitude you define.



Configuring Drive Parameters

| "C" Function | | | Run Mode Edit Lo Hi | Defaults | | | Units | SRW Display |
|--------------|--|--|---------------------|---------------------------------|----------|----------|-------|-------------------------|
| Func. Code | Name | Description | | -FE (EU) | -FU (US) | -FR (JP) | | |
| C040 | Overload signal output mode | Choose when the overload signal is enabled; two option codes: 00 During accel / decel / const. speed 01 During constant speed only | X ✓ | 01 | 01 | 01 | — | >C040 OL Mode CRT |
| C041 | Overload level setting 1 | Range is 0.00 * rated current to 2.00 * rated current | X ✓ | Rated current for each inverter | | | A | >C041 OL LEVEL 0016.5A |
| C042 | Frequency arrival setting for acceleration | Sets the frequency arrival setting threshold for the output frequency during acceleration | X ✓ | 0.00 | 0.00 | 0.00 | Hz | >C042 ARV ACC 0000.00Hz |
| C043 | Arrival frequency setting for deceleration | Sets the frequency arrival setting threshold for the output frequency during deceleration | X ✓ | 0.00 | 0.00 | 0.00 | Hz | >C043 ARV DEC 0000.00Hz |

| “C” Function | | | Run Mode Edit Lo Hi | Defaults | | | Units | SRW Display |
|--------------|--|--|------------------------|----------|----------|----------|-------|--------------------------|
| Func. Code | Name | Description | | -FE (EU) | -FU (US) | -FR (JP) | | |
| C044 | PID deviation level setting | Sets the PID loop error threshold ISP - PVI (absolute value) to trigger intelligent output [OD]. Range is 0.0 to 100%, resolution is 0.1% | X ✓ | 3.0 | 3.0 | 3.0 | % | >C044 PID LEVEL 003.0% |
| C045 | Frequency arrival setting for acceleration (2) | Range is 0.0 to 99.99 / 100.0 to 400.0 Hz | X ✓ | 0.00 | 0.00 | 0.00 | Hz | >C045 ARV ACC2 0000.00Hz |
| C046 | Frequency arrival setting for deceleration (2) | Range is 0.0 to 99.99 / 100.0 to 400.0 Hz | X ✓ | 0.00 | 0.00 | 0.00 | Hz | >C046 ARV DEC2 0000.00Hz |
| C055 | Over-torque (forward-driving) level setting | Threshold for intelligent output terminal [OTQ], quadrant I. Range is: 0 to 200%, up to -550xxx; 0 to 180%, -750 to 1500xxx | X ✓ | 100. | 100. | 100. | % | >C055 OV-TRQ FW-V 100% |
| C056 | Over-torque (reverse regenerating) level setting | Threshold for intelligent output terminal [OTQ], quadrant II. Range is: 0 to 200%, up to -550xxx; 0 to 180%, -750 to 1500xxx | X ✓ | 100. | 100. | 100. | % | >C056 OV-TRQ RV-R 100% |
| C057 | Over-torque (reverse driving) level setting | Threshold for intelligent output terminal [OTQ], quadrant III. Range is: 0 to 200%, up to -550xxx; 0 to 180%, -750 to 1500xxx | X ✓ | 100. | 100. | 100. | % | >C057 OV-TRQ RV-V 100% |
| C058 | Over-torque (forward regenerating) level setting | Threshold for intelligent output terminal [OTQ], quadrant IV. Range is: 0 to 200%, up to -550xxx; 0 to 180%, -750 to 1500xxx | X ✓ | 100. | 100. | 100. | % | >C058 OV-TRQ FW-R 100% |
| C061 | Electronic thermal warning level setting | Sets the threshold for intelligent output [THM]. Range is 0 to 100% | X ✓ | 80. | 80. | 80. | % | >C061 E-THM WARN 000% |
| C062 | Alarm code output | Allows binary alarm codes to be output to intelligent terminals. Three option codes: 00 Disable 01 Enable – 3-bit code 02 Enable – 4-bit code | X ✓ | 00 | 00 | 00 | — | >C062 AL-CODE SELECT OFF |
| C063 | Zero speed detection level | Range is 0.00 to 99.99 / 100.0 Hz | X ✓ | 0.00 | 0.00 | 0.00 | Hz | >C063 ZS LEVEL 000.00Hz |

Serial Communications

The following table configures the communications port of the SJ300 inverter. You can have up to thirty-two devices on the serial communications network. The inverters are slaves and the computer or digital operator is the master. Thus, all inverters on the serial connection must use the same baud rate, data length, parity, and stop bits. However, each device on the serial network must have a unique node address. See [“Serial Communications” on page B-1](#) for more information.

| “C” Function | | | Run Mode Edit Lo Hi | Defaults | | | Units | SRW Display |
|--------------|-------------------------------------|---|------------------------|----------|----------|----------|-------|---------------------------------|
| Func. Code | Name | Description | | -FE (EU) | -FU (US) | -FR (JP) | | |
| C070 | Data command method | Four option codes: 02 Digital operator 03 RS485 04 Expansion card #1 05 Expansion card #2 | ✕ ✕ | 02 | 02 | 02 | — | >C070 RS485 PARAM SELECT REM |
| C071 | Communication speed selection | Five option codes: 02 (Test) 03 2400bps 04 4800bps 05 9600bps 06 19200bps | ✕ ✓ | 04 | 04 | 04 | bps | >C071 RS485 BAU 4800bps |
| C072 | Node allocation | Set the address of the inverter on the network. Range is 1 to 32. | ✕ ✓ | 1. | 1. | 1. | — | >C072 RS485 ADDRESS 01 |
| C073 | Communication data length selection | Two option codes: 07 7-bit data 08 8-bit data | ✕ ✓ | 7 | 7 | 7 | — | >C073 RS485 BIT 7BIT |
| C074 | Communication parity selection | Three option codes: 00 No parity 01 Even parity 02 Odd parity | ✕ ✓ | 00 | 00 | 00 | — | >C074 RS485 PARITY NO |
| C075 | Communication stop bit selection | Two option codes: 01 1 stop bit 02 2 stop bits | ✕ ✓ | 1 | 1 | 1 | — | >C075 RS485 STOPBIT 1BIT |
| C078 | Communication wait time | Time the inverter waits after receiving a message before it transmits. Range is 0.0 to 1000 ms | ✕ ✓ | 0. | 0. | 0. | — | >C078 RS485 WAIT 0000ms |

Analog Signal Calibration Settings

The functions in the following table configure the signals for the analog output terminals. Note that these settings do not change the current/voltage or sink/source characteristics – only the zero and span (scaling) of the signals.



NOTE: See additional settings for analog calibration: Parameter B080 [AM] Terminal Analog Meter Adjustment (gain), parameter B081 [FM] Terminal Analog Meter Adjustment (gain).

| “C” Function | | | Run Mode Edit Lo Hi | Defaults | | | Units | SRW Display |
|--------------|--------------------------------|----------------------------|------------------------|--------------------|----------|----------|-------|----------------------------------|
| Func. Code | Name | Description | | -FE (EU) | -FU (US) | -FR (JP) | | |
| C081 | [O] input span calibration | Range is 0 to 65530 | ✓ ✓ | Factory-calibrated | | | — | >C081 O-ADJUST TOP 02119 |
| C082 | [OI] input span calibration | Range is 0 to 65530 | ✓ ✓ | Factory-calibrated | | | — | >C082 OI-ADJUST TOP 02512 |
| C083 | [O2] input span calibration | Range is 0 to 65530 | ✓ ✓ | Factory-calibrated | | | — | >C083 O2-ADJUST TOP 02818 |
| C085 | Thermistor input tuning (gain) | Range is 0.0 to 1000 | ✓ ✓ | 105.0 | 105.0 | 105.0 | — | >C085 THERM ADJUST 0105.0 |
| C086 | [AM] terminal offset tuning | Range is 0.0 to 10.0V | ✓ ✓ | 0.0 | 0.0 | 0.0 | V | >C086 AM-MONITOR OFFSET 00.0V |
| C087 | [AMI] terminal meter tuning | Range is 0.0 to 250% | ✓ ✓ | 80. | 80. | 80. | % | >C087 AMI-MON ADJUST 080 |
| C088 | [AMI] terminal offset tuning | Range is 0 to 20mA | ✓ ✓ | 4.0 | 4.0 | 4.0 | mA | >C088 AMI-MON OFFSET 04.0mA |
| C121 | [O] input zero calibration | Range is 0 to 6553 (65530) | ✓ ✓ | Factory-calibrated | | | — | >C121 O-ADJUST ZERO 00000 |
| C122 | [OI] input zero calibration | Range is 0 to 6553 (65530) | ✓ ✓ | Factory-calibrated | | | — | >C122 OI-ADJUST ZERO 00000 |
| C123 | [O2] input zero calibration | Range is 0 to 6553 (65530) | ✓ ✓ | Factory-calibrated | | | — | >C123 O2-ADJUST ZERO 03622 |



NOTE: Settings C081, C082, C083, C121, C122, C123 are factory-calibrated for each inverter. Do not change these settings unless absolutely necessary. Note that if you restore factory defaults for all parameters, these settings will not change.

Miscellaneous Functions

The following table contains miscellaneous functions not in other function groups.

| “C” Function | | | Run Mode Edit Lo Hi | Defaults | | | Units | SRW Display |
|--------------|-------------------------------|--|---------------------|----------|----------|----------|-------|--------------------------|
| Func. Code | Name | Description | | -FE (EU) | -FU (US) | -FR (JP) | | |
| C091 | Debug mode enable | Two option codes: 00 No display 01 Display | ✗ ✓ | 00 | 00 | 00 | — | >C091 INITIAL DEBG OFF |
| C101 | Up/Down memory mode selection | Controls speed setpoint for the inverter after power cycle. Two option codes: 00 Clear last frequency (return to default frequency F001) 01 Keep last frequency adjusted by UP/DWN | ✗ ✓ | 00 | 00 | 00 | — | >C101 UP/DWN DATA NO-STR |

C102/C103: Reset Mode / Restart Mode – The reset mode selection, set via parameter C102, determines how the inverter responds to the [RS] intelligent input signal or keypad Stop/Reset key in a trip condition. The options allow you to cancel the trip on either the OFF-to-ON or ON-to-OFF transition of [RS], and if desired, stop the inverter if it is in Run Mode. A trip event causes the inverter output to the motor to turn OFF immediately. If in Run Mode when the trip occurred, the inverter and motor will enter free-run stop (coasting) operation. In some applications, the motor and load will still be coasting when the inverter returns to normal Run Mode operation. For that situation, you can configure the inverter output (C103=00) to resume operation from 0 Hz and accelerate normally. Or, you can configure the inverter (C103=01) to resume operation from the current speed of the motor (*frequency matching*)—often used in applications such as HVAC.

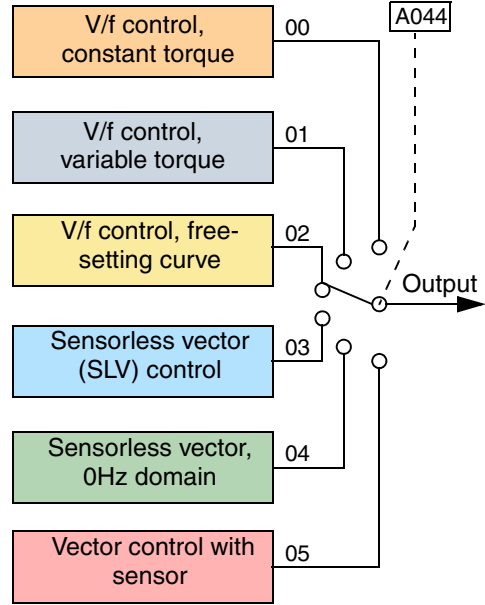
| “C” Function | | | Run Mode Edit Lo Hi | Defaults | | | Units | SRW Display |
|--------------|--------------------------|---|---------------------|---------------------------------------|----------|----------|-------|-------------------------|
| Func. Code | Name | Description | | -FE (EU) | -FU (US) | -FR (JP) | | |
| C102 | Reset mode selection | Determines response to Reset input [RST]. Three option codes: 00 Cancel trip state at input signal ON transition, Stops inverter if in Run Mode 01 Cancel trip state at signal OFF transition, Stops inverter if in Run Mode 02 Cancel trip state at input signal ON transition, no effect if in Run Mode. | ✓ ✓ | 00 | 00 | 00 | — | >C102 RESET SELECT ON |
| C103 | Restart mode after reset | Two option codes: 00 Restart at 0 Hz 01 Resume operation after frequency matching | ✗ ✓ | 00 | 00 | 00 | — | >C103 RESET f-Mode ZST |
| C111 | Overload setting (2) | Range is 0.00 times rated current to 2.00 times rated current | ✗ ✓ | Rated current for each inverter model | | | A | >C111 OL LEVEL2 0016.5A |

“H” Group: Motor Constants Functions

Introduction

The “H” Group parameters configure the inverter for the motor characteristics. You must manually set H003 and H004 values to match the motor. Most of the remaining parameters are related to vector control, and are in use only when function A044 is set for one of the vector control modes as shown in the diagram. The procedure in [“Auto-tuning of Motor Constants” on page 4-67](#) automatically sets all the parameters related to vector control. If you configure the inverter to use vector control, we highly recommend letting the auto-tuning procedure derive the values for you. If you want to reset the parameters to the factory default settings, use the procedure in [“Restoring Factory Default Settings” on page 6-9](#).

Inverter Torque Control Algorithms



NOTE: The auto-tuning procedure and related warning messages are in [“Auto-tuning of Motor Constants” on page 4-67](#). Please read these before trying to auto-tune the motor parameters.



Configuring Drive Parameters

| “H” Function | | | Run Mode Edit Lo Hi | Defaults | | | Units | SRW Display |
|--------------|---------------------------------|---|---------------------|-------------|----------|----------|-------|-------------------------|
| Func. Code | Name | Description | | -FE (EU) | -FU (US) | -FR (JP) | | |
| H001 | Auto-tuning Setting | Three states for auto-tuning function, option codes: 00 Auto-tuning OFF 01 Auto-tune (measure motor resistance and inductance, without rotating) 02 Auto-tune (rotate motor) | XX | 00 | 00 | 00 | — | >H001 AUX AUTO NOR |
| H002 | Motor data selection, 1st motor | Select one of three motor parameter sets, 3 options: 00 Standard motor data 01 Auto-tuning data 02 Adaptive tuning data | XX | 00 | 00 | 00 | — | >H002 AUX DATA NOR |
| H202 | Motor data selection, 2nd motor | Select one of three motor parameter sets, 3 options: 00 Standard motor data 01 Auto-tuning data 02 Adaptive tuning data | XX | 00 | 00 | 00 | — | >H202 2AUX DATA NOR |
| H003 | Motor capacity, 1st motor | Select 0.2 to 75.0kW for models up to -550xxx, 0.2 to 160.0kW for models -750xxx to -1500xxx | XX | Factory set | | | kW | >H003 AUX K 003.70kW |

| “H” Function | | | Run Mode Edit Lo Hi | Defaults | | | Units | SRW Display |
|--------------|---|--|------------------------|------------------------------|----------|----------|-------|----------------------------|
| Func. Code | Name | Description | | -FE (EU) | -FU (US) | -FR (JP) | | |
| H203 | Motor capacity, 2nd setting | Select 0.2 to 75.0kW for models up to -550xxx, 0.2 to 160.0kW for models -750xxx to -1500xxx | ✕ ✕ | Factory set | | | kW | >H203 2AUX K 003.70kW |
| H004 | Motor poles setting, 1st motor | Four selections: 2 / 4 / 6 / 8 | ✕ ✕ | 4 | 4 | 4 | Poles | >H004 AUX P 4P |
| H204 | Motor poles setting, 2nd motor | Four selections: 2 / 4 / 6 / 8 | ✕ ✕ | 4 | 4 | 4 | Poles | >H204 2AUX P 4P |
| H005 | Motor speed constant, 1st motor | Motor proportional gain constant (factory set), range is 0.01 to 99 | ✓ ✓ | 1.590 | 1.590 | 1.590 | — | >H005 AUX KP 1.590 |
| H205 | Motor speed constant, 2nd motor | Motor proportional gain constant (factory set) range is 0 to 99 | ✓ ✓ | 1.590 | 1.590 | 1.590 | — | >H205 2AUX KP 1.590 |
| H006 | Motor stabilization constant, 1st motor | Motor constant (factory set), range is 0 to 255 | ✓ ✓ | 100. | 100. | 100. | — | >H006 AUX KCD 00100 |
| H206 | Motor stabilization constant, 2nd motor | Motor constant (factory set), range is 0 to 255 | ✓ ✓ | 100. | 100. | 100. | — | >H206 2AUX KCD 00100 |
| H306 | Motor stabilization constant, 3rd motor | Motor constant (factory set), range is 0 to 255 | ✓ ✓ | 100. | 100. | 100. | — | >H306 3AUX KCD 00100 |
| H020 | Motor constant R1, 1st motor | Range is 0.000 to 65.53, 0.000 to 9.999 10.00 to 65.53 | ✕ ✕ | According to inverter rating | | | Ohm | >H020 AUX R1 00.489ohm |
| H220 | Motor constant R1, 2nd motor | Range is 0.000 to 65.53, 0.000 to 9.999 10.00 to 65.53 | ✕ ✕ | According to inverter rating | | | Ohm | >H220 2AUX R1 00.000ohm |
| H021 | Motor constant R2, 1st motor | Range is 0.000 to 65.53, 0.000 to 9.999 10.00 to 65.53 | ✕ ✕ | According to inverter rating | | | Ohm | >H021 AUX R2 00.355ohm |
| H221 | Motor constant R2, 2nd motor | Range is 0.000 to 65.53, 0.000 to 9.999 10.00 to 65.53 | ✕ ✕ | According to inverter rating | | | Ohm | >H221 2AUX R2 00.355ohm |
| H022 | Motor constant L, 1st motor | Range is 0.00 - 655.3 mH, 0.00 to 99.99 100.0 - 655.3 | ✕ ✕ | According to inverter rating | | | mH | >H022 AUX L 005.12mH |
| H222 | Motor constant L, 2nd motor | Range is 0.00 - 655.3 mH, 0.00 to 99.99 100.0 - 655.3 | ✕ ✕ | According to inverter rating | | | mH | >H222 2AUX L 005.12mH |
| H023 | Motor constant I ₀ , 1st motor | Range is 0.00 to 655.3 A 0.00 to 99.99 100.0 - 655.3 | ✕ ✕ | According to inverter rating | | | A | >H023 AUX I0 008.02A |
| H223 | Motor constant I ₀ , 2nd motor | Range is 0.00 to 655.3 A, 0.00 to 99.99 100.0 - 655.3 | ✕ ✕ | According to inverter rating | | | A | >H223 2AUX I0 008.02A |
| H024 | Motor Constant J, 1st motor | Ratio (unit-less), range is 1.0 to 1000 | ✕ ✕ | According to inverter rating | | | — | >H024 AUX J 000.055 |

| “H” Function | | | Run Mode Edit Lo Hi | Defaults | | | Units | SRW Display |
|--------------|--|---|---------------------|------------------------------|----------|----------|-------|-------------------------------|
| Func. Code | Name | Description | | -FE (EU) | -FU (US) | -FR (JP) | | |
| H224 | Motor constant J, 2nd motor | Ratio (unit-less), range is 1.0 to 1000 | ✕ ✕ | According to inverter rating | | | — | >H224 2AUX J 000.055 |
| H030 | Auto-tuned motor constant R1, 1st motor | Auto-tuning data | ✕ ✕ | According to inverter rating | | | Ohm | >H030 AUX A-R1 00.489ohm |
| H230 | Auto-tuned motor constant R1, 2nd motor | Auto-tuning data | ✕ ✕ | According to inverter rating | | | Ohm | >H230 2AUX A-R1 00.489ohm |
| H031 | Auto-tuned motor constant R2, 1st motor | Auto-tuning data | ✕ ✕ | According to inverter rating | | | Ohm | >H031 AUX A-R2 00.355ohm |
| H231 | Auto-tuned motor constant R2, 2nd motor | Auto-tuning data | ✕ ✕ | According to inverter rating | | | Ohm | >H231 2AUX A-R2 00.355ohm |
| H032 | Auto-tuned motor constant L, 1st motor | Auto-tuning data | ✕ ✕ | According to inverter rating | | | mH | >H032 AUX A-L 005.12mH |
| H232 | Auto-tuned motor constant L, 2nd motor | Auto-tuning data | ✕ ✕ | According to inverter rating | | | mH | >H232 2AUX A-L 005.12mH |
| H033 | Auto-tuned motor constant I ₀ , 1st motor | Auto-tuning data | ✕ ✕ | According to inverter rating | | | A | >H033 AUX A-I0 008.02A |
| H233 | Auto-tuned motor constant I ₀ , 2nd motor | Auto-tuning data | ✕ ✕ | According to inverter rating | | | A | >H233 2AUX A-I0 008.02A |
| H034 | Auto-tuned motor constant J, 1st motor | Auto-tuning data | ✕ ✕ | According to inverter rating | | | — | >H034 AUX A-J 0000.055 |
| H234 | Auto constant J, 2nd motor | Auto-tuning data | ✕ ✕ | According to inverter rating | | | — | >H234 2AUX A-J 0000.055 |
| H050 | PI proportional gain for 1st motor | Range is 0.0 to 99.9 / 100.0 to 999.9 / 1000% | ✓ ✓ | 100 | 100 | 100 | % | >H050 AUX KSP 0100.0% |
| H250 | PI proportional gain for 2nd motor | Range is 0.0 to 99.9 / 100.0 to 999.9 / 1000% | ✓ ✓ | 100 | 100 | 100 | % | >H250 2AUX KSP 0100.0% |
| H051 | PI integral gain for 1st motor | Range is 0.0 to 99.9 / 100.0 to 999.9 / 1000% | ✓ ✓ | 100 | 100 | 100 | % | >H051 AUX KSI 0100.0% |
| H251 | PI integral gain for 2nd motor | Range is 0.0 to 99.9 / 100.0 to 999.9 / 1000% | ✓ ✓ | 100 | 100 | 100 | % | >H251 2AUX KSI 0100.0% |
| H052 | P proportional gain setting for 1st motor | Range is 0.00 to 10.00 | ✓ ✓ | 1.00 | 1.00 | 1.00 | — | >H052 AUX KSP 001.00 |
| H252 | P proportional gain setting for 2nd motor | Range is 0.00 to 10.00 | ✓ ✓ | 1.00 | 1.00 | 1.00 | — | >H252 2AUX KSP 001.00 |
| H060 | 0Hz SLV limit for 1st motor | Range is 0.0 to 100.0% | ✓ ✓ | 100. | 100. | 100. | % | >H060 AUX 0SLV-LMT 100.0% |
| H260 | 0Hz SLV limit for 2nd motor | Range is 0 to 100.0% | ✓ ✓ | 100. | 100. | 100. | % | >H260 2AUX 0SLV-LMT 100.0% |
| H070 | Terminal selection PI proportional gain setting | Range is 0 to 99.9 / 100.0 to 999.9 / 1000% | ✓ ✓ | 100.0 | 100.0 | 100.0 | % | >H070 AUX CH-KSP 0100.0% |
| H071 | Terminal selection PI integral gain setting | Range is 0 to 99.9 / 100.0 to 999.9 / 1000% | ✓ ✓ | 100.0 | 100.0 | 100.0 | % | >H071 AUX CH-KSI 0100.0% |
| H072 | Terminal selection P proportional gain setting | Range is 0.00 to 10.00 | ✓ ✓ | 1.00 | 1.00 | 1.00 | — | >H072 AUX CH-KSP 001.00 |

“P” Group: Expansion Card Functions

The two (optional) expansion cards for the SJ300 have associated configuration data. The following table defines the functions and their value ranges. Please refer to the expansion card manual for more details.

| “P” Function | | | Run Mode Edit Lo Hi | Defaults | | | Units | SRW Display |
|--------------|--|--|------------------------|----------|----------|----------|-------|----------------------------------|
| Func. Code | Name | Description | | -FE (EU) | -FU (US) | -FR (JP) | | |
| P001 | Operation mode on expansion card 1 error | Two option codes: 00 Trip (stop motor) 01 Continuous operation | ✕ ✓ | 00 | 00 | 00 | — | >P001 OPTION1 SELECT TRP |
| P002 | Operation mode on expansion card 2 error | Two option codes: 00 Trip (stop motor) 01 Continuous operation | ✕ ✓ | 00 | 00 | 00 | — | >P002 OPTION2 SELECT TRP |
| P010 | Feedback option enable | Two option codes: 00 Disable 01 Enable | ✕ ✕ | 00 | 00 | 00 | — | >P010 FEEDBACK SELECT OFF |
| P011 | Encoder pulse-per-revolution (PPR) setting | Range is 128 to 65000 pulses per revolution | ✕ ✕ | 1024 | 1024 | 1024 | pulse | >P011 FEEDBACK ENC-P 01024#1s |
| P012 | Control pulse setting | Selects between automatic speed regulation (ASR) and automatic position regulation (APR) modes. Two option codes: 00 ASR mode 01 APR mode | ✕ ✕ | 00 | 00 | 00 | — | >P012 FEEDBACK CONTROL ASR |
| P013 | Pulse input mode setting | Pulse input mode setting. Three option codes: 00 quadrature 01 count and direction 02 separate forward and reverse pulse trains | ✕ ✕ | 00 | 00 | 00 | — | >P013 FEEDBACK PULSE MD0 |
| P014 | Home search stop position setting | Range is 0 to 4095 pulses | ✕ ✓ | 0. | 0. | 0. | — | >P014 FEEDBACK POS 0000#1s |
| P015 | Home search speed setting | Range is 0.00 to 99.99 / 100.0 to 120.0Hz | ✕ ✓ | 5.00 | 5.00 | 5.00 | Hz | >P015 FEEDBACK FC 005.00Hz |
| P016 | Home search direction setting | Two option codes: 00 Forward 01 Reverse | ✕ ✕ | 00 | 00 | 00 | — | >P016 FEEDBACK TURN FW |
| P017 | Home search completion range setting | Range is 0 to 10,000 pulses | ✕ ✓ | 5 | 5 | 5 | pulse | >P017 FEEDBACK L 00005#1s |
| P018 | Home search completion delay time setting | Range is 0.00 to 9.99 seconds | ✕ ✓ | 0.00 | 0.00 | 0.00 | sec. | >P018 FEEDBACK TW 000.00s |
| P019 | Electronic gear set position selection | Two option codes: 00 Position feedback side 01 Position command side | ✕ ✓ | 00 | 00 | 00 | — | >P019 FEEDBACK EGRP FB |
| P020 | Electronic gear ratio numerator setting | Range is 1 to 9999 | ✕ ✓ | 1. | 1. | 1. | — | >P020 FEEDBACK EGR-N 00001 |
| P021 | Electronic gear ratio denominator setting | Range is 1 to 9999 | ✕ ✓ | 1. | 1. | 1. | — | >P021 FEEDBACK EGR-D 00001 |

| “P” Function | | | Run Mode Edit Lo Hi | Defaults | | | Units | SRW Display |
|--------------|---|--|------------------------|----------|----------|----------|-------|---------------------------------|
| Func. Code | Name | Description | | -FE (EU) | -FU (US) | -FR (JP) | | |
| P022 | Feed-forward gain setting | Range is 0.00 top 99.99 / 100.0 | X ✓ | 0.00 | 0.00 | 0.00 | — | >P022 FEEDBACK FFWG 000.00 |
| P023 | Position loop gain setting | Range is 0.00 to 99.99 / 100.0 | X ✓ | 0.50 | 0.50 | 0.50 | — | >P023 FEEDBACK G 000.50 |
| P025 | Temperature compensation thermistor enable | Allows for motor-mounted thermistor to calibrate output to motor temperature Two option codes: 00 Disable 01 Enable | X ✓ | 00 | 00 | 00 | — | >P025 FEEDBACK R2-ADJ OFF |
| P026 | Over-speed error detection level setting | Range is 0.0 to 150.0% | X ✓ | 135.0 | 135.0 | 135.0 | % | >P026 FEEDBACK 0SPD 135.0% |
| P027 | Speed deviation error detection level setting | Range is 0.00 to 99.99 / 120Hz | X ✓ | 7.50 | 7.50 | 7.50 | — | >P027 FEEDBACK NER 007.50Hz |
| P031 | Accel/decel time input selection | Three options: 00 Inverter 01 Expansion card 1 02 Expansion card 2 | X X | 00 | 00 | 00 | — | >P031 ACC/DEC SELECT REM |
| P032 | Positioning command input selection | Three options: 00 Inverter 01 Expansion card 1 02 Expansion card 2 | X ✓ | 00 | 00 | 00 | — | >P032 P-SET SELECT REM |
| P044 | DeviceNet comm watchdog timer | Range is 0.00 99.99 seconds | X X | 1.00 | 1.00 | 1.00 | — | >P044 DEVICENET TIMER 01.00s |
| P045 | Inverter action on DeviceNet comm error | Five options: 00 Trip 01 Decelerate and trip 02 Hold last speed 03 Free run stop 04 Decelerate and stop | X X | 01 | 01 | 01 | — | >P045 DEVICENET T-OUT FTP |
| P046 | DeviceNet polled I/O: Output instance number | Three settings: 20, 21, 100 | X X | 21 | 21 | 21 | — | >P046 DEVICENET O-AS-INS 021 |
| P047 | DeviceNet polled I/O: Input instance number | Three settings: 70, 71, 101 | X X | 71 | 71 | 71 | — | >P047 DEVICENET O-AS-INS 071 |
| P048 | Inverter action on DeviceNet idle mode | Five options: 00 Trip 01 Decelerate and trip 02 Hold last speed 03 Free run stop 04 Decelerate and stop | X X | 01 | 01 | 01 | — | >P048 DEVICENET IDLE FTP |
| P049 | DeviceNet motor poles setting for RPM | Range is 00 to 38 (even numbers only) | X X | 0 | 0 | 0 | poles | >P049 DEVICENET P 00P |



NOTE: Parameters P044 to P049 are available only in inverters with manufacturing code x8K xxxxxx xxxxx or later. The manufacturing code is printed on the product specifications labels, located on the front and side of the inverter housing.

“U” Group: User-selectable Menu Functions

The user-selectable menu functions allow you to configure (select) any twelve of the other functions in the inverter and place them together in a convenient list. This feature provides quick access for the most-used functions needed for your application. Each U Group function can serve as a pointer to any of the other parameters. You do *not* have to use the Store key to retain each association; just scroll to the desired standard parameter for each U Group function and leave it. The setting can point to a monitor-only parameter (such as D001), or point to editable parameters (such as A001). In the case of pointing to an editable functions, you use the Up/Down keys to change the value and the Store key to accept the change into memory—the same procedure as a normal parameter edit.

| “U” Function | | | Run Mode Edit Lo Hi | Defaults | | | Units | SRW Display |
|--------------|------------------------|---|---------------------|----------|----------|----------|-------|------------------|
| Func. Code | Name | Description | | -FE (EU) | -FU (US) | -FR (JP) | | |
| U001 | User-selected function | “no” (disabled), or any of the functions D001 to P049 | X ✓ | no | no | no | — | >U001 USER 1 no |
| U002 | | | X ✓ | no | no | no | — | >U002 USER 2 no |
| U003 | | | X ✓ | no | no | no | — | >U003 USER 3 no |
| U004 | | | X ✓ | no | no | no | — | >U004 USER 4 no |
| U005 | | | X ✓ | no | no | no | — | >U005 USER 5 no |
| U006 | | | X ✓ | no | no | no | — | >U006 USER 6 no |
| U007 | | | X ✓ | no | no | no | — | >U007 USER 7 no |
| U008 | | | X ✓ | no | no | no | — | >U008 USER 8 no |
| U009 | | | X ✓ | no | no | no | — | >U009 USER 9 no |
| U010 | | | X ✓ | no | no | no | — | >U010 USER 10 no |
| U011 | | | X ✓ | no | no | no | — | >U011 USER 11 no |
| U012 | | | X ✓ | no | no | no | — | >U012 USER 12 no |

Configuring Drive Parameters



TIP: Function B037 selects which parameter groups are displayed. If you want to limit the displayed parameters to *only* the U Group functions, set B037=02.

Programming Error Codes

The SJ300 inverter operator keypad displays a special code (begins with the **H** character) to indicate a programming error. Programming errors exist when one parameter conflicts with the meaningful range permitted by related parameter(s). Note that particular real-time frequency (speed) input levels can cause a conflict in some situations. After a conflict exists, the error code will appear on the display, or you can view it later with D090 in Monitor Mode. Also, the PGM LED on the display will flash ON/OFF when programming. These indications are automatically cleared when the parameter is corrected to the allowed range.

| Programming Error Code | Parameter out of bounds | | Boundary defined by... | | |
|------------------------|--------------------------|--|------------------------|---|---|
| | Code | Description | <, > | Code | Description |
| H001 H201 | A061 / A261 | Frequency upper limit setting; 1st, 2nd motor | > | A004 / A204 / A304 | Maximum frequency; 1st, 2nd, 3rd motor |
| H002 H202 | A062 / A262 | Frequency lower limit setting; 1st, 2nd motor | > | | |
| H004 H204 H304 | A003 / A203 / A303 | Base frequency setting; 1st, 2nd, 3rd motor | > | | |
| H005 H205 H305 | F001, A020 / A220 / A320 | Output frequency setting, Multi-speed freq. setting; 1st, 2nd, 3rd motor | > | | |
| H006 H206 H306 | A021 to A035 | Multi-speed freq. settings | > | | |
| H012 H212 | A062 / A262 | Frequency lower limit setting; 1st, 2nd motor | > | A061 / A261 | Frequency upper limit setting; 1st, 2nd motor |
| H015 H215 | F001, A020 / A220 | Output frequency setting, Multi-speed freq. setting; 1st, 2nd motor | > | | |
| H016 H216 | A021 to A035 | Multi-speed freq. settings | > | | |
| H021 H221 | A061 / A261 | Frequency upper limit setting; 1st, 2nd motor | < | A062 / A262 | Frequency lower limit setting; 1st, 2nd motor |
| H025 H225 | F001, A020 / A220 | Output frequency setting, Multi-speed freq. setting; 1st, 2nd motor | < | | |
| H031 H231 | A061 / A261 | Frequency upper limit setting; 1st, 2nd motor | < | B082 | Start frequency adjustment |
| H032 H232 | A062 / A262 | Frequency lower limit setting; 1st, 2nd motor | < | | |
| H035 H235 H335 | F001, A020 / A220 / A320 | Output frequency setting, Multi-speed freq. setting; 1st, 2nd, 3rd motor | < | | |
| H036 | A021 to A035 | Multi-speed freq. settings | < | | |
| H037 | A038 | Jog frequency setting | < | | |
| H085 H285 H385 | F001, A020 / A220 / A320 | Output frequency setting, Multi-speed freq. setting; 1st, 2nd, 3rd motor | >f-x, <f+x | A063 ± A064 A065 ± A066 A067 ± A068 | Jump (center) frequency ± jump (hysteresis) frequency width setting (See note after table) |
| H086 | A021 to A035 | Multi-speed freq. settings | >f-x, <f+x | | |

| Programming Error Code | Parameter out of bounds | | Boundary defined by... | | | | |
|------------------------------|------------------------------------|---|------------------------|------|--|------|--------------------------------|
| | Code | Description | <, > | Code | Description | | |
| U091U291 | A061 / A261 | Frequency upper limit setting; 1st, 2nd motor | > | B112 | Free-setting V/f frequency (7) | | |
| U092U292 | A062 / A262 | Frequency lower limit setting; 1st, 2nd motor | > | | | | |
| U095U295 | F001, A020 / A220 | Output frequency setting, Multi-speed freq. setting; 1st, 2nd motor | > | | | | |
| U096 | A021 to A035 | Multi-speed freq. settings | > | | | | |
| U110 | B100, B102, B104, B106, B108, B110 | Free V/f frequency | > | B100 | Free-setting V/f frequency (1) | | |
| | B102, B104, B106, B108, B110 | Free V/f frequency | > | | | | |
| | B100 | Free V/f frequency | < | | | B102 | Free-setting V/f frequency (2) |
| | B104, B106, B108, B110 | Free V/f frequency | > | | | B104 | Free-setting V/f frequency (3) |
| | B100, B102 | Free V/f frequency | < | | | | |
| | B106, B108, B110 | Free V/f frequency | > | | | B106 | Free-setting V/f frequency (4) |
| | B100, B102, B104 | Free V/f frequency | < | | | | |
| | B108, B110 | Free V/f frequency | > | | | B108 | Free-setting V/f frequency (5) |
| | B100, B102, B104, B106 | Free V/f frequency | < | | | | |
| | B110 | Free V/f frequency | > | | | B110 | Free-setting V/f frequency (6) |
| B100, B102, B104, B106, B108 | Free V/f frequency | < | | | | | |
| U120 | B017, B019 | Free-setting electronic thermal frequency | < | B015 | Free-setting, electronic thermal frequency (1) | | |
| | B015 | Free-setting electronic thermal frequency | > | B017 | Free-setting, electronic thermal frequency (2) | | |
| | B019 | Free-setting electronic thermal frequency | < | | | | |
| | B015, B017 | Free-setting electronic thermal frequency | > | B019 | Free-setting, electronic thermal frequency (3) | | |



NOTE: Set frequency (speed) values are not permitted to be inside the jump frequency ranges, if defined. When a frequency reference value from a real-time source (such as keypad potentiometer or analog input) are inside a jump frequency range, the actual speed is automatically forced to equal the lowest point of the jump range.



Operations and Monitoring



4

| In This Chapter.... | page |
|---|--------------------|
| — Introduction | 2 |
| — Optional Controlled Decel and Alarm at Power Loss | 4 |
| — Connecting to PLCs and Other Devices | 7 |
| — Using Intelligent Input Terminals | 11 |
| — Using Intelligent Output Terminals | 42 |
| — Analog Input Operation | 59 |
| — Analog Output Operation | 62 |
| — Setting Motor Constants for Vector Control | 65 |
| — PID Loop Operation | 71 |
| — Configuring the Inverter for Multiple Motors | 72 |

Introduction

The previous material in Chapter 3 gave a reference listing of all the programmable functions of the inverter. We suggest that you first scan through the listing of inverter functions to gain a general familiarity. This chapter will build on that knowledge in the following ways:

1. **Related functions** – Some parameters interact with or depend on the settings in other functions. This chapter lists “required settings” for a programmable function to serve as a cross-reference and an aid in showing how functions interact.
2. **Intelligent terminals** – Some functions rely on an input signal from control logic terminals or generate output signals in other cases.
3. **Electrical interfaces** – This chapter shows how to make connections between the inverter and other electrical devices.
4. **Auto-tuning** – The SJ300 inverter has the ability to run a calibration procedure in which it takes measurements of the motor’s electrical characteristics. This chapter shows how to run the auto-tuning procedure to help the inverter run the motor more smoothly and efficiently.
5. **PID Loop Operation** – The SJ300 has a built-in PID loop that calculates the optimal inverter output frequency to control an external process. This chapter shows the parameters and input/output terminals associated with PID loop operation.
6. **Multiple motors** – A single SJ300 inverter may be used with two or more motors in some types of applications. This chapter shows the electrical connections and inverter parameters involved in multiple-motor applications.

The topics in this chapter can help you decide the features that are important to your application, and how to use them. The basic installation covered in Chapter 2 concluded with the powerup test and running the motor. Now, this chapter starts from that point and shows how to make the inverter part of a larger control or automation system.

Before continuing, please read the following Caution messages.

Cautions for Operating Procedures



CAUTION: The heat sink fins will have a high temperature. Be careful not to touch them. Otherwise, there is the danger of getting burned.



CAUTION: The operation of the inverter can be easily changed from low speed to high speed. Be sure check the capability and limitations of the motor and machine before operating the inverter. Otherwise, it may cause injury to personnel.



CAUTION: If you operate a motor at a frequency higher than the inverter standard default setting (50Hz/60Hz), be sure to check the motor and machine specifications with the respective manufacturer. Only operate the motor at elevated frequencies after getting their approval. Otherwise, there is the danger of equipment damage.

Warnings for Operating Procedures

Before continuing, please read the following Warning messages.



WARNING: Be sure to turn ON the input power supply only after closing the front case. While the inverter is energized, be sure not to open the front case. Otherwise, there is the danger of electric shock.



WARNING: Be sure not to operate electrical equipment with wet hands. Otherwise, there is the danger of electric shock.



WARNING: While the inverter is energized, be sure not to touch the inverter terminals even when the motor is stopped. Otherwise, there is the danger of electric shock.



WARNING: If the Retry Mode is selected, the motor may suddenly restart after a trip stop. Be sure to stop the inverter before approaching the machine (be sure to design the machine so that safety for personnel is secure even if it restarts.) Otherwise, it may cause injury to personnel.



WARNING: If the power supply is cut OFF for a short period of time, the inverter may restart operation after the power supply recovers if the Run command is active. If a restart may pose danger to personnel, so be sure to use a lock-out circuit so that it will not restart after power recovery. Otherwise, it may cause injury to personnel.



WARNING: The Stop Key is effective only when the Stop function is enabled. Be sure to enable the Stop Key separately from the emergency stop. Otherwise, it may cause injury to personnel.



WARNING: During a trip event, if the alarm reset is applied and the Run command is present, the inverter will automatically restart. Be sure to apply the alarm reset only after verifying the Run command is OFF. Otherwise, it may cause injury to personnel.



WARNING: Be sure not to touch the inside of the energized inverter or to put any conductive object into it. Otherwise, there is a danger of electric shock and/or fire.



WARNING: If power is turned ON when the Run command is already active, the motor will automatically start and injury may result. Before turning ON the power, confirm that the RUN command is not present.



WARNING: When the Stop key function is disabled, pressing the Stop key does not stop the inverter, nor will it reset a trip alarm.

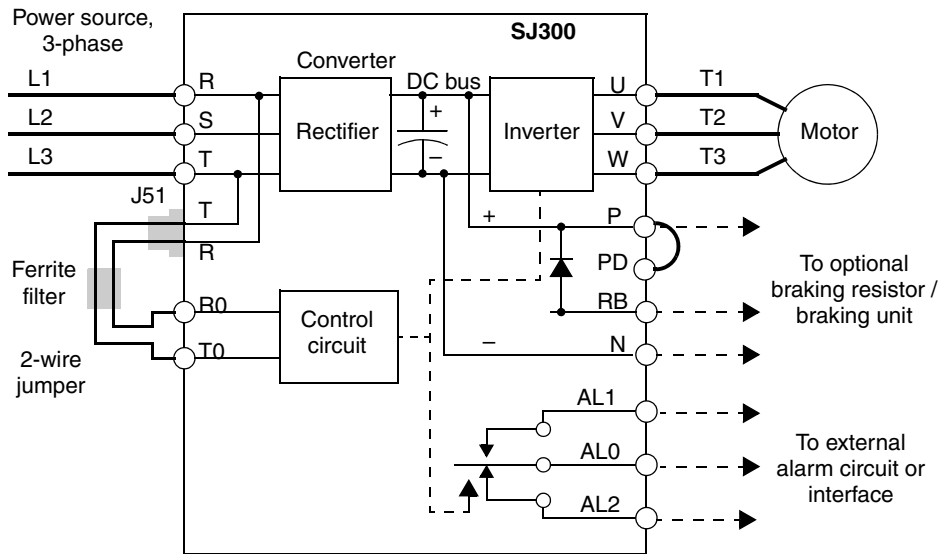


WARNING: Be sure to provide a separate, hard-wired emergency stop switch when the application warrants it.

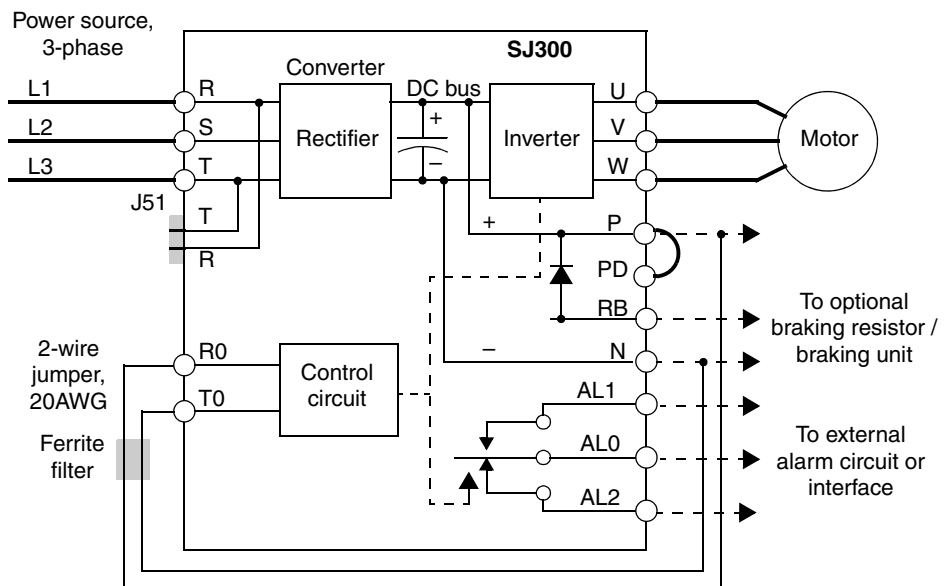
Optional Controlled Decel and Alarm at Power Loss

With the default SJ300 inverter configuration, a sudden power loss will cause the inverter to shut down immediately. If running at the time, the motor and load will coast to a stop. And without power, the inverter's alarm output will not activate. This default performance may be fine for applications with loads such as fans and pumps. However, some loads may require controlled decelerations upon power loss, or you may want an alarm signal upon power loss. This section describes how to harness regenerative energy so that the motor/load actually powers the inverter long enough to control a final deceleration and power the alarm output.

The diagram below shows the default configuration. Chapter 2 covered wiring the power source to the inverter input and the inverter output to the motor. By default, the inverter's internal control circuit gets its power from two phases (R and T) from the input. The user-accessible 2-wire jumper (R-R0 and T-T0) connects input power to the control circuit.



To provide power to the control circuit after input power loss, you must change the control circuit wiring as shown below (steps provided on following page).



Follow the steps to implement the wiring change shown in the previous diagram.

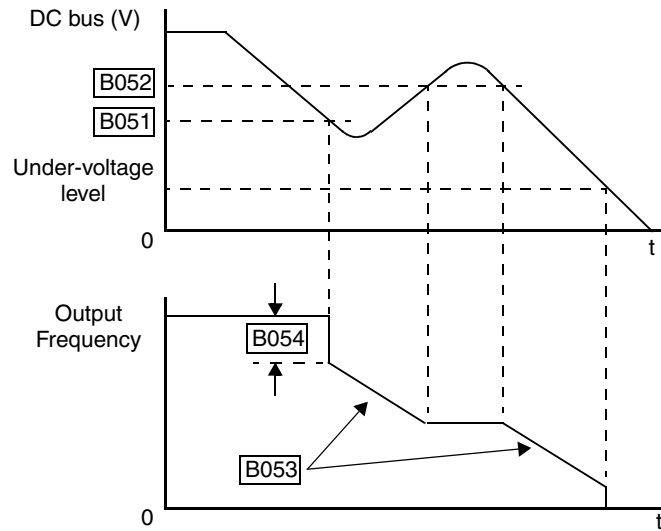
1. Remove the 2-wire jumper J51 (terminals [R0] and [T0] to connector J51).
2. Procure several inches of multi-strand 20 AWG (0.5mm²) or slightly heavier wire.
3. Connect a wire to terminal [R0] that is long enough to connect to terminal [P] (do not connect to [P] yet).
4. Connect a wire to terminal [T0] that is long enough to connect to terminal [N] (do not connect to [N] yet).
5. Remove the ferrite filter from the original jumper wire and then slide it onto the new wires connecting to terminals [R0] and [T0]. (Be sure to save the original jumper in a safe place.)
6. Connect the wire from [R0] to [P], and connect the wire from [T0] to [N] as shown.

More information on power loss related alarm functions, see [“Instantaneous Power Failure / Under-voltage Signal” on page 4-51](#).

The following table lists the functions related to the controlled deceleration at power loss feature. After making the wiring change, use function B050 to enable the feature. Use B051 to determine the point at which a decaying DC bus voltage will trigger the controlled deceleration. Use parameter B054 to specify an initial step-wise deceleration at power loss, and B053 to specify the duration of the linear deceleration. Note that this feature also affects the output signals that indicate instantaneous power fail and under-voltage conditions (see [“Instantaneous Power Failure / Under-voltage Signal” on page 4-51](#)).

| Func. Code | Name | Description | Range |
|------------|---|--|--|
| B050 | Controlled deceleration and stop on power loss | Allows inverter control using regenerative energy to decelerate after loss of input power (requires jumper change) | Two option codes: 00Disable 01Enable |
| B051 | DC bus voltage trigger level during power loss | Sets trigger for controlled deceleration and stop on power loss function | 0.0 to 1000.V |
| B052 | Over-voltage threshold during power loss | Sets over-voltage threshold for controlled deceleration function | 0.0 to 1000.V |
| B053 | Deceleration time setting during power loss | Deceleration time inverter uses only at power loss | 0.01 to 99.99 sec. / 100.0 to 999.9 sec. / 1000 to 3600 sec. |
| B054 | Initial output frequency decrease during power loss | Sets the initial decrease in output frequency upon power loss | 0.00 to 10.00 Hz |

The timing diagram below shows a power loss scenario and the related parameter settings. During the controlled deceleration the inverter itself acts as a load to decelerate the motor. With either a high-inertia load or a short deceleration time (or both), it is possible that the inverter impedance will not be low enough to continue linear deceleration and avoid an over-voltage condition on the DC bus. Use parameter B052 to specify a threshold for the over-voltage. In this case, the inverter pauses deceleration (runs at constant speed). When the DC bus decays again below the threshold, linear deceleration resumes. The pause/resume process will repeat as necessary until the DC bus energy is depleted (under-voltage condition occurs).



NOTE: (1) Be sure to set the *over-voltage threshold* greater than the *DC bus voltage trigger level* ($B052 > B051$) for proper operation.

(2) Once the power loss deceleration function starts, it will complete and stop the motor even if input power is restored. In that case, it automatically enables the Run mode again.

Connecting to PLCs and Other Devices

Hitachi inverters (drives) are useful in many types of applications. During installation, the inverter keypad (or other programming device) will facilitate the initial configuration. After installation, the inverter will generally receive its control commands through the control logic terminals or serial interface from another controlling device. In a simple application such as single-conveyor speed control, a Run/Stop switch and potentiometer will give the operator all the required control. In a sophisticated application, you may have a *programmable logic controller* (PLC) as the system controller with several connections to the inverter.

It is not possible to cover all the possible types of application in this manual. It will be necessary for you to know the electrical characteristics of the devices you want to connect to the inverter. Then, this section and the following sections on I/O terminal functions can help you quickly and safely connect those devices to the inverter.



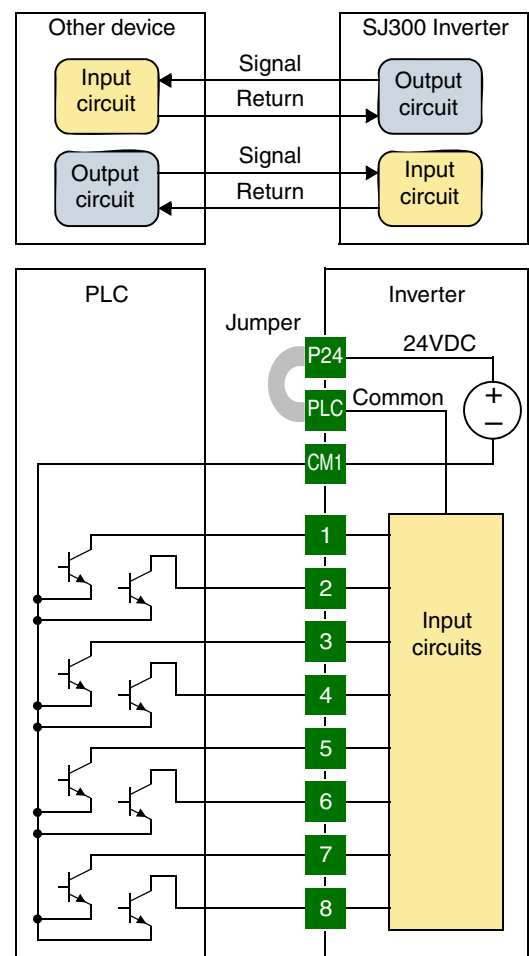
CAUTION: It is possible to damage the inverter or other devices if your application exceeds the maximum current or voltage characteristics of a connection point.

The connections between the inverter and other devices rely on the electrical input/output characteristics at both ends of each connection, shown in the diagram to the right. The inverter can accept either sourcing or sinking type inputs from an external device (such as a PLC). A terminal jumper configures the input type, connecting the input circuit *common* to the supply (+) or (-). Detailed wiring examples are in [“Using Intelligent Input Terminals” on page 4-11](#). This chapter shows the inverter’s internal electrical component(s) at each I/O terminal and how to interface them with external circuits.

In order to avoid equipment damage and get your application running smoothly, we recommend drawing a schematic of each connection between the inverter and the other device. Include the internal components of each device in the schematic, so that it makes a complete circuit loop.

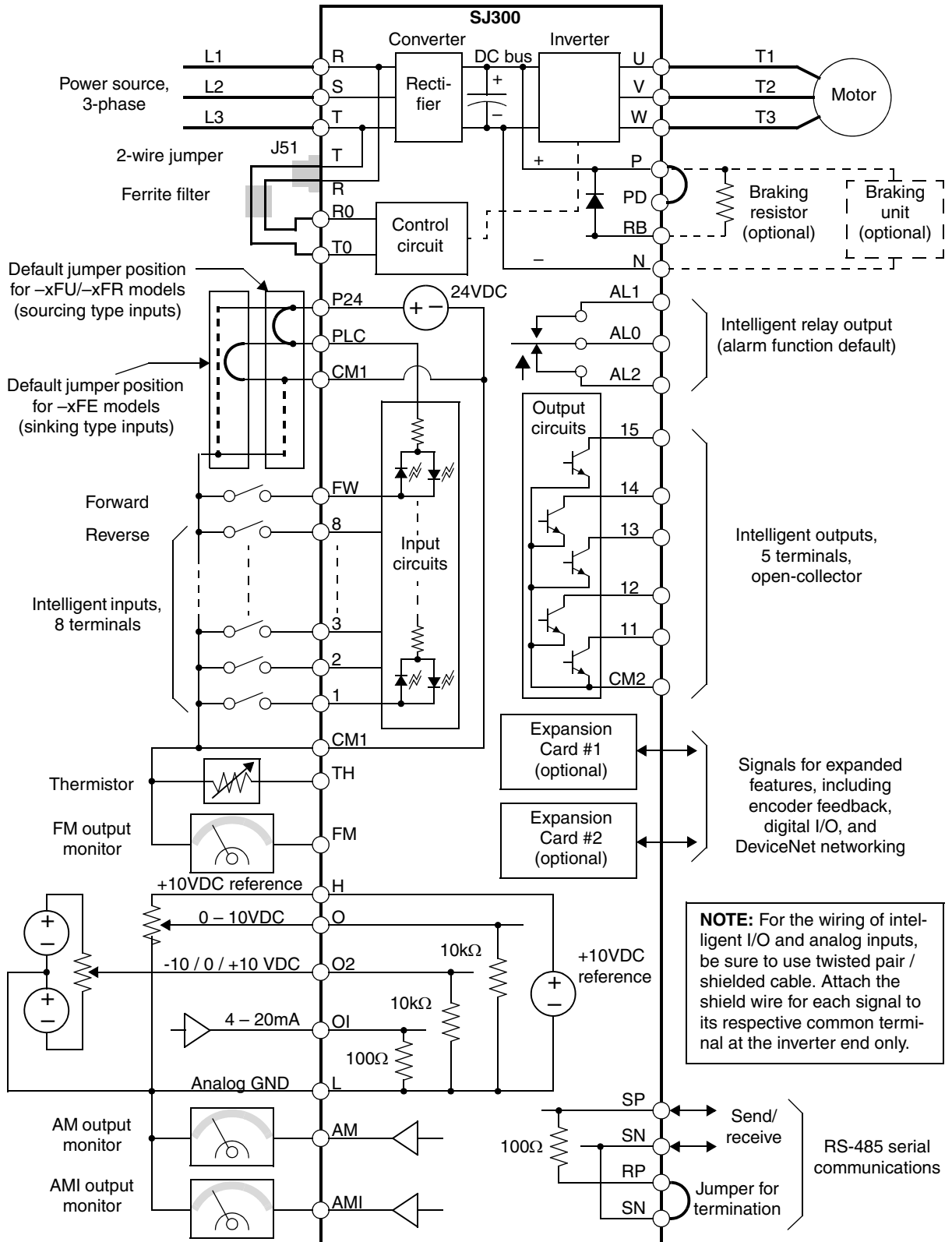
After making the schematic, then:

1. Verify that the current and voltage for each connection is within the operating limits of each device.
2. Make sure that the logic sense (active high or active low) of any ON/OFF connection is correct.
3. Verify inputs are configured correctly (sink/source) to interface to interface to any external devices (PLCs, etc.).
4. Check the zero and span (curve end points) for analog connections, and be sure the scale factor from input to output is correct.
5. Understand what will happen at the system level if any particular device suddenly loses power, or powers up after other devices.



Example Wiring Diagram

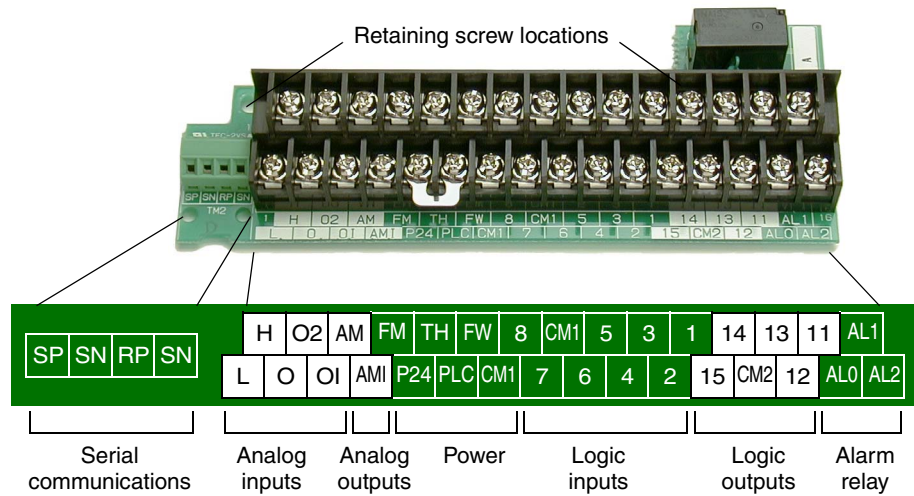
The schematic diagram below provides a general example of logic connector wiring, in addition to basic power and motor wiring covered in Chapter 2. The goal of this chapter is to help you determine the proper connections for the various terminals shown below for your specific application needs.



Operations and Monitoring

Specifications of Control and Logic Connections

The control logic connector board is removable for wiring convenience as shown below (first, remove two retaining screws). The small connector to the left is for serial communications.



Specifications for the logic connection terminals are in the following table:

| Terminal Name | Description | Ratings and Notes |
|--|---|---|
| [P24] | +24V power for inputs | 24VDC supply, 100 mA max. |
| [CM1] | +24V common | Common for 24V supply, [FW], [TH], inputs [1] to [8], and [FM]. (Note: Do not ground) |
| [PLC] | Common for logic inputs | Common for input terminals [1] to [8], jumper to CM1 for sinking, jumper to P24 for sourcing |
| [CM2] | Common for logic outputs | Common for output terminals [11] to [15] |
| [1], [2], [3], [4], [5], [6], [7], [8] | Intelligent (programmable) discrete logic inputs | 27VDC max. (use [P24] or an external supply referenced to terminal [CM1]), 4.7kΩ input impedance |
| [FW] | Forward/stop command | 27VDC max. (use [P24] or an external supply referenced to terminal [CM1]), 4.7kΩ input impedance |
| [11], [12], [13], [14], [15] | Intelligent (programmable) discrete logic outputs | Open collector type, 50mA max. ON state current, 27 VDC maximum OFF state voltage |
| [TH] | Thermistor input | Reference to [CM1], min. thermistor power 100mW |
| [FM] | PWM output | 0 to 10VDC, 1.2 mA max., 50% duty cycle |
| [AM] | Voltage analog output | 0 to 10VDC, 2 mA max. |
| [AMI] | Current analog output | 4-20 mA, nominal load impedance 250Ω |
| [L] | Common for analog inputs | Sum of [OI], [O], and [H] currents (return) |
| [OI] | Analog input, current | 4 to 19.6 mA range, 20 mA nominal, 100Ω input impedance |
| [O] | Analog input, voltage | 0 to 9.6 VDC range, 10VDC nominal, 12VDC max., input impedance 10 kΩ |
| [O2] | Analog input, voltage 2 | -9.6 to 9.6 VDC range, ±10VDC nominal, ±12VDC max., input impedance 10 kΩ |
| [H] | +10V analog reference | 10VDC nominal, 10 mA max. |
| [AL0] | Relay common contact | Contacts AL0-AL1, maximum loads: 250VAC, 2A; 30VDC, 8A resistive load 250VAC, 0.2A; 30VDC, 0.6A inductive load Contacts AL0-AL2, maximum loads: 250VAC, 1A; 30VDC 1A max. resistive load 250VAC, 0.2A; 30VDC, 0.2A max. inductive load Min. loads: 100 VAC, 10mA; 5VDC, 100mA |
| [AL1] | Relay contact, normally closed | |
| [AL2] | Relay contact, normally open | |

Terminal Listing Use the following table to locate pages for intelligent input and output material in this chapter.

| Intelligent INPUTS | | | | Intelligent OUTPUTS | | | |
|--------------------|-------|--|----------------------|---------------------|------|---|----------------------|
| Symbol | Code | Name | Page | Symbol | Code | Name | Page |
| RV | 01 | Reverse Run/Stop | 4-12 | RUN | 00 | Run signal | 4-43 |
| CF1 | 02 | Multi-speed select, Bit 0 (LSB) | 4-13 | FA1 | 01 | Freq. arrival type 1 – constant speed | 4-44 |
| CF2 | 03 | Multi-speed select, Bit 1 | 4-13 | | | | |
| CF3 | 04 | Multi-speed select, Bit 2 | 4-13 | FA2 | 02 | Freq. arrival type 2 – over-frequency | 4-44 |
| CF4 | 05 | Multi-speed select, Bit 3 (LSB) | 4-13 | | | | |
| JG | 06 | Jogging | 4-16 | OL | 03 | Overload advance notice signal | 4-46 |
| DB | 07 | External signal for DC injection braking | 4-17 | OD | 04 | Output deviation for PID control | 4-47 |
| | | | | AL | 05 | Alarm signal | 4-48 |
| SET | 08 | Set (select) second motor data | 4-18 | FA3 | 06 | Freq. arrival type 3 – at freq. | 4-44 |
| 2CH | 09 | 2-stage accel and decel | 4-19 | OTQ | 07 | Over-torque signal | 4-50 |
| FRS | 11 | Free-run stop | 4-20 | IP | 08 | Instantaneous power failure signal | 4-51 |
| EXT | 12 | External trip | 4-21 | UV | 09 | Under-voltage signal | 4-51 |
| USP | 13 | Unattended start protection | 4-22 | TRQ | 10 | In torque limit signal | 4-54 |
| CS | 14 | Commercial power source | 4-23 | RNT | 11 | Run time over | 4-54 |
| SFT | 15 | Software lock | 4-25 | ONT | 12 | Power-ON time over | 4-54 |
| AT | 16 | Analog input voltage/current sel. | 4-26 | THM | 13 | Thermal alarm signal | 4-55 |
| SET3 | 17 | Set (select) 3rd motor data | 4-18 | BRK | 19 | Brake release signal | 4-58 |
| RS | 18 | Reset inverter | 4-27 | BER | 20 | Brake error signal | 4-58 |
| STA | 20 | Start (3-wire interface) | 4-29 | ZS | 21 | Zero speed detect | 4-58 |
| STP | 21 | Stop (3-wire interface) | 4-29 | DSE | 22 | Speed deviation maximum | 4-58 |
| F/R | 22 | FW, RV (3-wire interface) | 4-29 | POK | 23 | Positioning completion | 4-58 |
| PID | 23 | PID ON/OFF | 4-30 | FA4 | 24 | Freq. arrival type 4 – over-frequency (2) | 4-44 |
| PIDC | 24 | PID Reset | 4-30 | | | | |
| CAS | 26 | Control gain setting | 4-31 | FA5 | 25 | Freq. arrival type 5 – at frequency (2) | 4-44 |
| UP | 27 | Remote control Up func. | 4-33 | | | | |
| DWN | 28 | Remote control Down func. | 4-33 | OL2 | 26 | Overload advance notice signal (2) | 4-46 |
| UDC | 29 | Remote control data clearing | 4-33 | | | | |
| OPE | 31 | Operator control | 4-34 | | | | |
| SF1-7 | 32-38 | Multi-speed bits 1 to 7 | 4-13 | | | | |
| OLR | 39 | Overload restriction | 4-35 | | | | |
| TL | 40 | Torque limit enable | 4-37 | | | | |
| TRQ1 | 41 | Torque limit select, bit 1 (LSB) | 4-37 | | | | |
| TRQ2 | 42 | Torque limit select, bit 2 (MSB) | 4-37 | | | | |
| PPI | 43 | P / PI mode selection | 4-31 | | | | |
| BOK | 44 | Brake confirmation signal | 4-39 | | | | |
| ORT | 45 | Orientation (home search) | 4-41 | | | | |
| LAC | 46 | LAC: LAD cancel | 4-41 | | | | |
| PCLR | 47 | Position deviation reset | 4-41 | | | | |
| STAT | 48 | Pulse train position cmd enable | 4-41 | | | | |

Using Intelligent Input Terminals

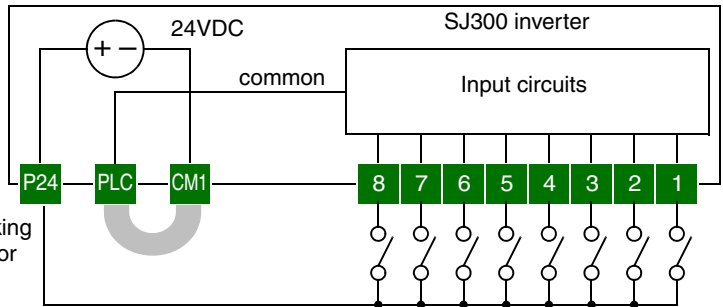
Intelligent terminals [1], [2], [3], [4], [5], [6], [7], and [8] are identical, programmable inputs for general use. The input circuits can use the inverter's internal (isolated) +24V field supply (P24) to power the inputs. The input circuits connect internally to [PLC] as a common point. To use the internal supply to power the inputs, use the jumper as shown. Remove the jumper to use an external supply, or to interface to a PLC system (or other) that has solid state outputs. If you use an external supply or PLC system, its power return must connect to the [PLC] terminal on the inverter to complete the input circuit.

Input Wiring Examples

The following four input configurations are available to interface the inverter inputs to switches or the outputs of another system, such as a PLC.

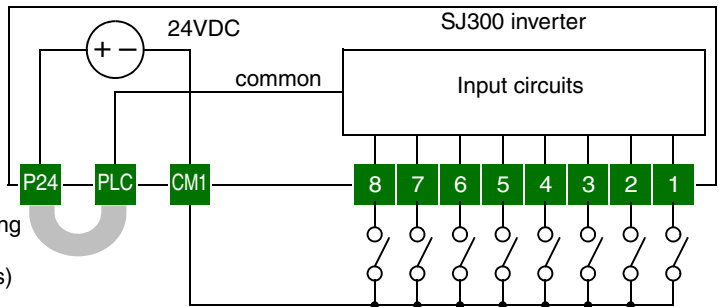
Sinking inputs, internal supply

Jumpered for sinking inputs (default for -xFE models)



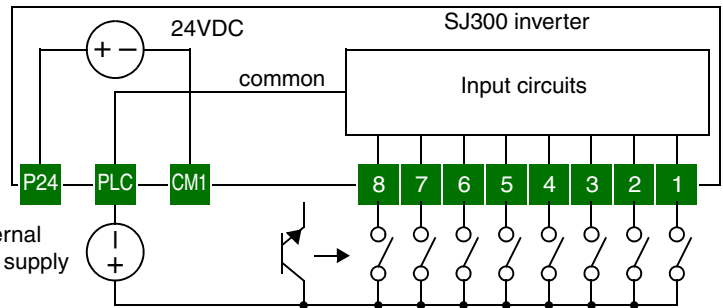
Sourcing inputs, internal supply

Jumpered for sourcing inputs (default for -xFU/-xFR models)



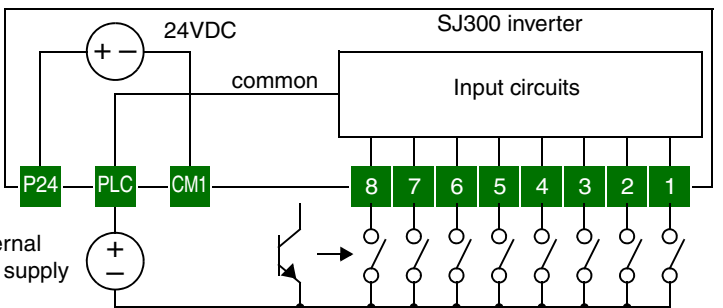
Sinking inputs, external supply

External power supply



Sourcing inputs, external supply

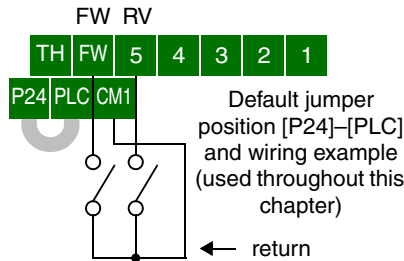
External power supply



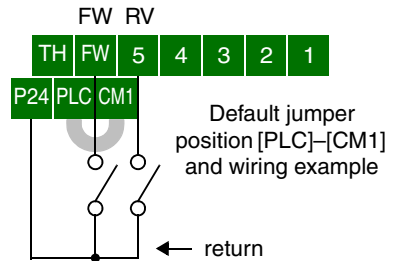
Wiring Diagram Conventions

The input wiring diagrams in this chapter are examples only. Default and non-default input terminal assignments are noted throughout; your particular assignments may be different. The wiring diagrams show the -xFU/-xFR model default [P24]-[PLC] jumper position (U.S./Jpn versions), as shown below on the left. The common (return) for inputs is [CM1] in this case. The diagram on the right shows the default jumper position and example input wiring for -xFE models (Europe version). For this case, the common (return) for inputs is [P24]. **Be sure the jumper position and return terminal used match your application wiring needs.**

-xFU/-xFR models (U.S./Jpn versions):



-xFE models (Europe version):



Forward Run/ Stop and Reverse Run/Stop Commands

When you input the Run command via the dedicated terminal [FW], the inverter executes the Forward Run command (high) or Stop command (low). When you input the Run command via the programmable terminal [RV], the inverter executes the Reverse Run command (high) or Stop command (low).

| Opt. Code | Symbol | Function Name | State | Description |
|--|--------|--|---|--|
| — | FW | Forward Run/Stop | ON | Inverter is in Run Mode, motor runs forward |
| | | | OFF | Inverter is in Stop Mode, motor stops |
| 01 | RV | Reverse Run/Stop | ON | Inverter is in Run Mode, motor runs reverse |
| | | | OFF | Inverter is in Stop Mode, motor stops |
| Valid for inputs: | | C001, C002, C003, C004, C005, C006, C007, C008 | Example: (Default input configuration shown—see page 3-47. Jumper position shown is for -xFU/-xFR models; for -xFE models, see examples above.) | |
| Required settings: | | A002 = 01 | | |
| <p>Notes:</p> <ul style="list-style-type: none"> When the Forward Run and Reverse Run commands are active at the same time, the inverter enters the Stop Mode. When a terminal associated with either [FW] or [RV] function is configured for <i>normally closed</i>, the motor starts rotation when that terminal is disconnected or otherwise has no input voltage. | | | | |
| | | | | <p>FW RV</p> <p>See I/O specs on page 4-9.</p> |



NOTE: The parameter F004, Keypad Run Key Routing, determines whether the single Run key issues a Run FWD command or Run REV command. However, it has no effect on the [FW] and [RV] input terminal operation.



WARNING: If the power is turned ON and the Run command is already active, the motor starts rotation and is dangerous! Before turning power ON, confirm that the external Run command is not active.

Multi-Speed Select

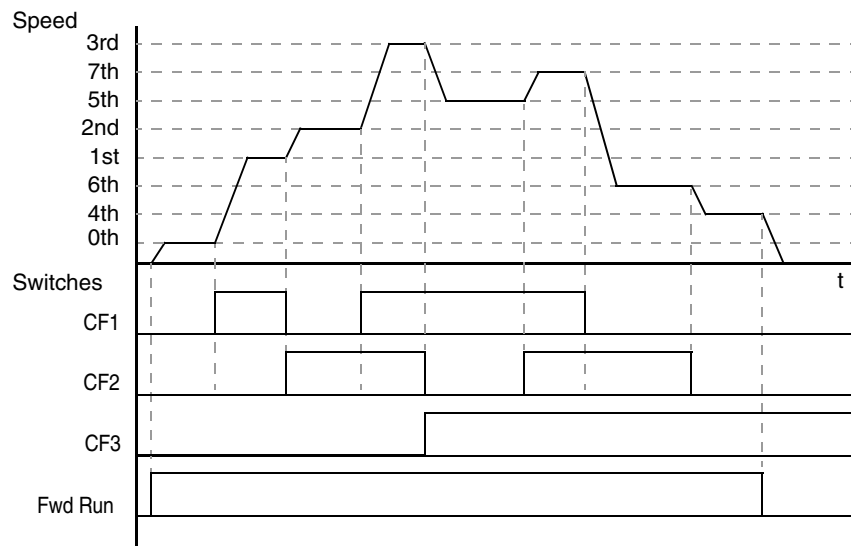
The inverter can store up to 16 different fixed target frequencies (speeds) in parameters A020 to A035. Binary inputs select the speed through four of the intelligent terminals configured as binary-encoded inputs CF1 to CF4 per the table. These can be any of the eight inputs, and in any order. You can use fewer inputs if you need eight or fewer speeds.

| Multi-speed | Input Function | | | | Multi-speed | Input Function | | | |
|-------------|----------------|-----|-----|-----|-------------|----------------|-----|-----|-----|
| | CF4 | CF3 | CF2 | CF1 | | CF4 | CF3 | CF2 | CF1 |
| Speed 0 | 0 | 0 | 0 | 0 | Speed 8 | 1 | 0 | 0 | 0 |
| Speed 1 | 0 | 0 | 0 | 1 | Speed 9 | 1 | 0 | 0 | 1 |
| Speed 2 | 0 | 0 | 1 | 0 | Speed 10 | 1 | 0 | 1 | 0 |
| Speed 3 | 0 | 0 | 1 | 1 | Speed 11 | 1 | 0 | 1 | 1 |
| Speed 4 | 0 | 1 | 0 | 0 | Speed 12 | 1 | 1 | 0 | 0 |
| Speed 5 | 0 | 1 | 0 | 1 | Speed 13 | 1 | 1 | 0 | 1 |
| Speed 6 | 0 | 1 | 1 | 0 | Speed 14 | 1 | 1 | 1 | 0 |
| Speed 7 | 0 | 1 | 1 | 1 | Speed 15 | 1 | 1 | 1 | 1 |

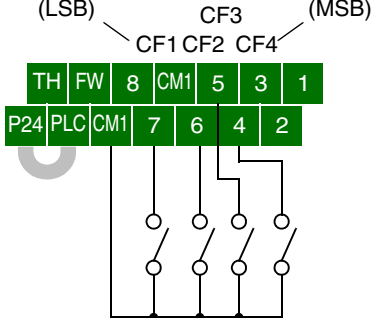


NOTE: When choosing a subset of speeds to use, always start at the top of the table, and with the least-significant bit: CF1, CF2, etc.

The example with eight speeds in the figure below shows how input switches configured for CF1 – CF3 functions can change the motor speed in real time.



Multi-speed Override Feature - The multi-speed function can selectively override the external analog speed reference input. When the Frequency Source Setting parameter A001=01, the control terminal inputs determine the output frequency. At the same time, the inverter can use multi-speed select for output frequency if one or more intelligent inputs are configured as a CF type (CF1 to CF4). When all CF input(s) are OFF, the control terminal input determines the output frequency normally. When one or more CF input(s) are ON, then the corresponding multi-speed setting (see the table above) overrides and becomes the output frequency.

| Opt. Code | Symbol | Function Name | Input State | Description |
|----------------------------|--------|--|-------------|---|
| 02 | CF1 | Binary speed select, Bit 0 (LSB) | ON | Bit 0, logical 1 |
| | | | OFF | Bit 0, logical 0 |
| 03 | CF2 | Binary speed select, Bit 1 | ON | Bit 1, logical 1 |
| | | | OFF | Bit 1, logical 0 |
| 04 | CF3 | Binary speed binary select, Bit 2 | ON | Bit 2, logical 1 |
| | | | OFF | Bit 2, logical 0 |
| 05 | CF4 | Binary speed select, Bit 3 (MSB) | ON | Bit 3, logical 1 |
| | | | OFF | Bit 3, logical 0 |
| Valid for inputs: | | C001, C002, C003, C004, C005, C006, C007, C008 | | Example: (Some CF inputs require input configuration; some are default inputs—see page 3-47. Jumper position shown is for -xFU/-xFR models; for -xFE models, see page 4-12.)  |
| Required settings: | | F001, A020 to A035 A019=00 | | |
| Notes: | | <ul style="list-style-type: none"> When programming the multi-speed settings, be sure to press the Store key each time and then set the next multi-speed setting. Note that when the Store key is not pressed, no data will be set. When a multi-speed setting more than 50Hz(60Hz) is to be set, it is necessary to program the maximum frequency A004 high enough to allow that speed. | | |
| See I/O specs on page 4-9. | | | | |

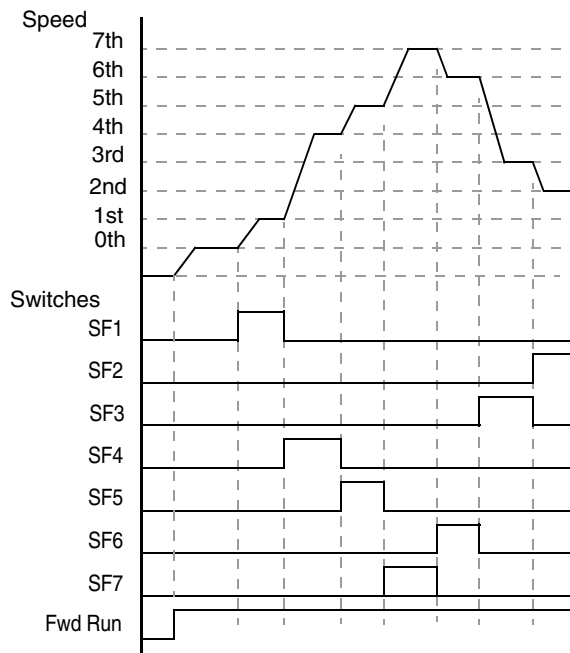
While using the multi-speed capability, you can monitor the output frequency with monitor function D001 during each segment of a multi-speed operation.

There are two ways to program the speeds into the registers A020 to A035:

1. Standard keypad programming:
 - a. Select each parameter A020 to A035.
 - b. Press the **(FUNG)** key to view the parameter value.
 - c. Use the **(↑)** and **(↓)** keys to edit the value.
 - d. Use the **(STP)** key to save the data to memory.
2. Programming using the CF switches:
 - a. Turn the Run command OFF (Stop Mode).
 - b. Turn inputs ON to select desired Multi-speed. Display the value of F001 on the digital operator.
 - c. Set the desired output frequency by pressing the **(↑)** and **(↓)** keys.
 - d. Press the **(STP)** key once to store the set frequency. When this occurs, F001 indicates the output frequency of the selected Multi-speed.
 - e. Press the **(FUNG)** key once to confirm that the indication is the same as the set frequency.
 - f. Repeat operations in 2. a) to 2. e) to set the frequency of other Multi-speeds. It can be set also by parameters A020 to A035 in the first procedure 1. a) to 1. d).

The Bit Operation method of speed control uses up to seven intelligent inputs to select from up to eight speeds. Since the all-switches-OFF combination selects the first speed, you only need N-1 switches to select N speeds. With Bit Operation speed control, only one input is normally active at a time. If multiple switches are ON, the lower numbered input takes precedence (determines the speed). The table and figure below show how the input combinations work.

| Multi-speed | Input Function | | | | | | |
|-------------|----------------|-----|-----|-----|-----|-----|-----|
| | SF7 | SF6 | SF5 | SF4 | SF3 | SF2 | SF1 |
| Speed 0 | 0 | 0 | 0 | 0 | 0 | 0 | 0 |
| Speed 1 | — | — | — | — | — | — | 1 |
| Speed 2 | — | — | — | — | — | 1 | 0 |
| Speed 3 | — | — | — | — | 1 | 0 | 0 |
| Speed 4 | — | — | — | 1 | 0 | 0 | 0 |
| Speed 5 | — | — | 1 | 0 | 0 | 0 | 0 |
| Speed 6 | — | 1 | 0 | 0 | 0 | 0 | 0 |
| Speed 7 | 1 | 0 | 0 | 0 | 0 | 0 | 0 |



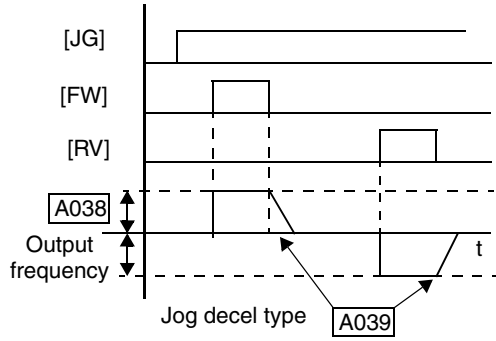
The following table lists the option codes for assigning [SF1 to [SF7] to the intelligent inputs.

| Opt. Code | Symbol | Function Name | Description |
|--|--------|--|---|
| 32 | SF1 | Bit-level speed select 1 | Bit-level speed select, Bit 0 |
| 33 | SF2 | Bit-level speed select 2 | Bit-level speed select, Bit 1 |
| 34 | SF3 | Bit-level speed select 3 | Bit-level speed select, Bit 2 |
| 35 | SF4 | Bit-level speed select 4 | Bit-level speed select, Bit 3 |
| 36 | SF5 | Bit-level speed select 5 | Bit-level speed select, Bit 4 |
| 37 | SF6 | Bit-level speed select 6 | Bit-level speed select, Bit 5 |
| 38 | SF7 | Bit-level speed select 7 | Bit-level speed select, Bit 6 |
| Valid for inputs: | | C001, C002, C003, C004, C005, C006, C007, C008 | Example: (Requires input configuration—see page 3-47. Jumper position shown is for -xFU/-xFR models; for -xFE models, see page 4-12.) SF7 SF5 SF3 SF1 SF6 SF4 SF2 |
| Required settings: | | F001, A020 to A035 A019=01 | |
| Notes: | | | |
| <ul style="list-style-type: none"> When all [SFx] inputs are OFF, the speed is set by default to the value in F001. When a multi-speed setting more than 50Hz(60Hz) is to be set, it is necessary to program the maximum frequency A004 high enough to allow that speed. | | | |

Jogging Command

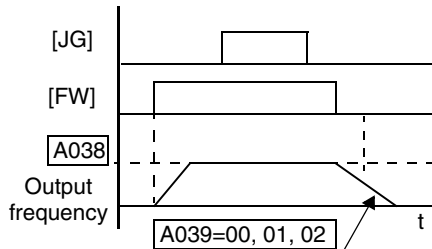
The Jog input [JG] is used to command the motor to rotate slowly in small increments for manual operation. The speed is limited to 10 Hz. The frequency for the jogging operation is set by parameter A038. Jogging does not use an acceleration ramp. Therefore setting the jogging frequency A038 too high will cause inverter tripping.

A jog command may arrive while the motor is running. You can program the inverter to either ignore or respond to a jog command in this case by using function A039. The type of deceleration used to end a motor jog is also selectable by programming function A039. Six jog mode options are defined below:

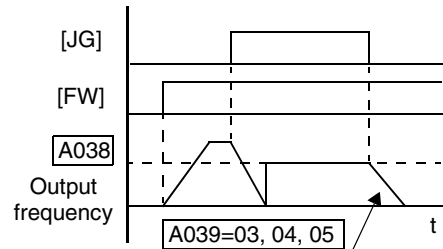


| Jogging During Motor Operation | | Jog Deceleration Method |
|--------------------------------|----------------|--------------------------------------|
| Disabled, A039= | Enabled, A039= | |
| 00 | 03 | Free-run stop (coasting) |
| 01 | 04 | Deceleration (normal level) and stop |
| 02 | 05 | Use DC braking and stop |

In the left example diagram below, the Jog command is ignored. In the right example diagram, a jog command interrupts a Run mode operation. However, if the Jog command turns ON before the [FW] or [RV] terminal turns ON, the inverter output turns OFF.



Decelerating stop (00) shown



Free-run stop (05) shown

| Opt. Code | Symbol | Function Name | Input State | Description |
|---|--------|--|-------------|--|
| 06 | JG | Jogging | ON | Enters Jog Mode if enabled (see above) |
| | | | OFF | Jog is OFF |
| Valid for inputs: | | C001, C002, C003, C004, C005, C006, C007, C008 | | Example: (Default input configuration shown—see page 3-47. Jumper position shown is for -xFU/-xFR models; for -xFE models, see page 4-12.) See I/O specs on page 4-9. |
| Required settings: | | A002= 01, A038 > B082, A038 > 0, A039=00 to 05 | | |
| Notes: | | | | |
| <ul style="list-style-type: none"> Jogging is not performed when the value of A038 jogging frequency is smaller than the start frequency B082 or the value is 0 Hz. Be sure to turn ON [FW] or [RV] after the [JG] input turns ON for a jog operation. When setting A039 to 02 or 05, you must also set the DC braking parameters. | | | | |

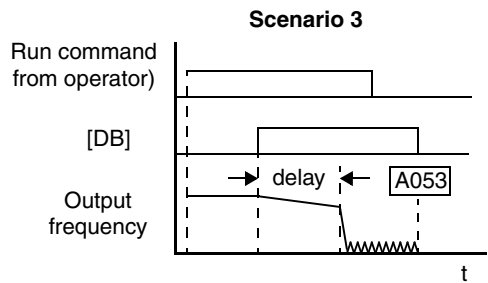
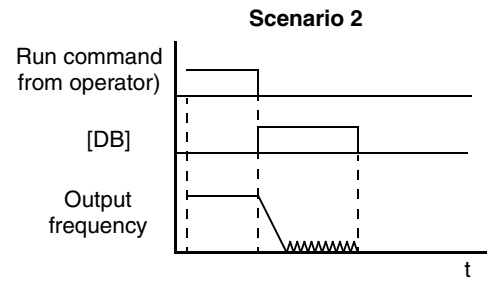
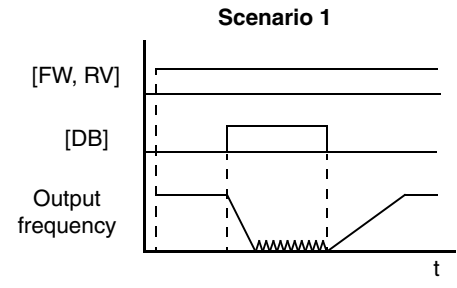
External Signal for DC Injection Braking

When the terminal [DB] is turned ON, the DC braking [DB] feature is enabled. Set the following parameters when the external DC braking terminal is to be used:

- A053 – DC braking delay time setting. The range 0.0 to 5.0 seconds.
- A054 – DC braking force setting. The range is 0 to 100%.

The scenarios to the right help show how DC braking works in various situations.

1. Scenario 1 – The [FW] Run or [RV] Run terminal is ON. When the [DB] terminal turns ON, DC braking is applied. When the [DB] terminal turns OFF again, the inverter output ramps to the previous frequency.
2. Scenario 2 – The Run command is applied from the operator keypad. When the [DB] terminal turns ON, DC braking is applied. When the [DB] terminal turns OFF again, the inverter output remains OFF.
3. Scenario 3 – The Run command is applied from the operator keypad. When the [DB] terminal turns ON, DC braking is applied after the delay time set by A053 expires. The motor is in a free-running (coasting) condition during this delay time. When the [DB] terminal turns OFF again, the inverter output remains OFF.



| Opt. Code | Symbol | Function Name | Input State | Description |
|---------------------------|--------|---|---|---|
| 07 | DB | External Signal for DC Injection Braking | ON | applies DC injection braking during deceleration |
| | | | OFF | does not apply DC injection braking during deceleration |
| Valid for inputs: | | C001, C002, C003, C004, C005, C006, C007, C008 | Example: (Requires input configuration—see page 3-47. Jumper position shown is for -xFU/-xFR models; for -xFE models, see page 4-12.) | |
| Required settings: | | A053, A054 | | |
| Notes: | | <ul style="list-style-type: none"> • Do not use the [DB] input continuously or for a long time when the DC braking force setting A054 is high (depends on the motor application). • Do not use the [DB] feature for continuous or high duty cycle as a holding brake. The [DB] input is designed to improve stopping performance. Use a mechanical brake for holding a stop position. | | |

See I/O specs on page 4-9.

Set Second or Third Motors

If you assign the [SET] or [SET3] functions to an intelligent input terminal, you can select between two or three sets of motor parameters. You may assign one or both of these functions. These second and third parameters store alternate sets of motor characteristics. When terminal [SET] or [SET3] is turned ON, the inverter will use the second or third set of parameters accordingly, generating the frequency output to the motor. When changing the state of the [SET] or [SET3] input terminal, the change will not take effect until the inverter is stopped.

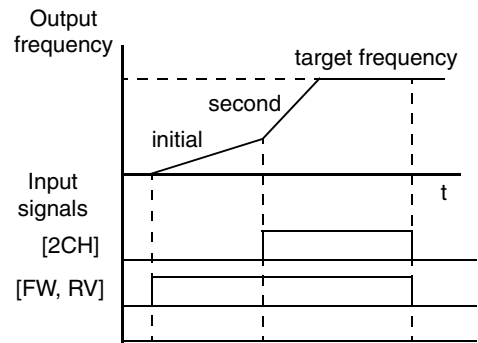
When you turn ON the [SET] or [SET3] input, the inverter operates per the second or third set of parameters, respectively. When the terminal is turned OFF, the output function returns to the original settings (first set of motor parameters). Refer to [“Configuring the Inverter for Multiple Motors”](#) on page 4-72 for details.

| Opt. Code | Symbol | Function Name | Input State | Description |
|---------------------------|--------|---|---|---|
| 08 | SET | Set 2nd Motor | ON | causes the inverter to use the 2nd set of motor parameters for generating the frequency output to motor |
| | | | OFF | causes the inverter to default to the 1st (main) set of motor parameters for generating the frequency output to motor |
| 17 | SET3 | Set 3rd Motor | ON | causes the inverter to use the 3rd set of motor parameters for generating the frequency output to motor |
| | | | OFF | causes the inverter to default to the 1st (main) set of motor parameters for generating the frequency output to motor |
| Valid for inputs: | | C001, C002, C003, C004, C005, C006, C007, C008 | Example: (Requires input configuration—see page 3-47. Jumper position shown is for -xFU/-xFR models; for -xFE models, see page 4-12.) | |
| Required settings: | | (none) | | |
| Notes: | | <ul style="list-style-type: none"> • If the terminal state is changed while the inverter is running, the inverter continues using the current set of parameters until the inverter is stopped. • If both SET and SET3 are ON at the same time, SET prevails and the 2nd motor parameters are in effect. | | |

See I/O specs on page 4-9.

Two-stage Acceleration and Deceleration

When terminal [2CH] is turned ON, the inverter changes the rate of acceleration and deceleration from the initial settings (F002 and F003) to use the second set of acceleration/deceleration values. When the terminal is turned OFF, the inverter is returned to the original acceleration and deceleration time (F002 acceleration time 1, and F003 deceleration time 1). Use A092 (acceleration time 2) and A093 (deceleration time 2) to set the second stage acceleration and deceleration times.



In the graph shown above, the [2CH] signal becomes active during acceleration. This causes the inverter to switch from using acceleration 1 (F002) to acceleration 2 (A092).

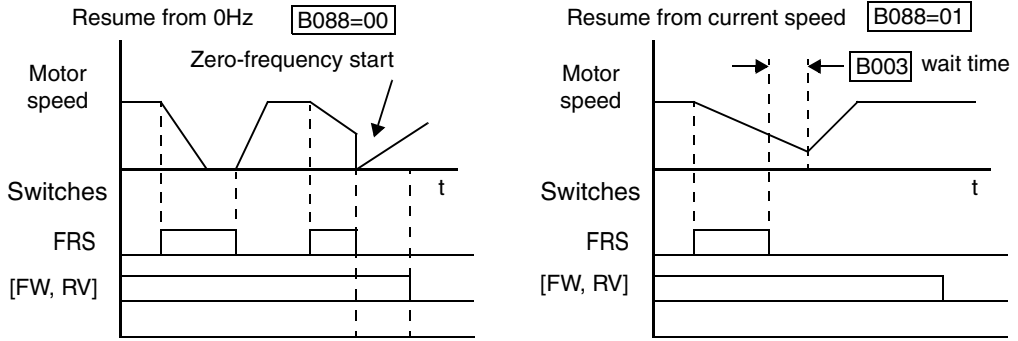
| Opt. Code | Symbol | Function Name | Input State | Description |
|---------------------------|--------|--|--|--|
| 09 | 2CH | Two-stage Acceleration and Deceleration | ON | Frequency output uses 2nd-stage acceleration and deceleration values |
| | | | OFF | Frequency output uses the initial acceleration 1 and deceleration 1 values |
| Valid for inputs: | | C001, C002, C003, C004, C005, C006, C007, C008 | Example: (Default input configuration shown—see page 3-47. Jumper position shown is for -xFU/-xFR models; for -xFE models, see page 4-12.) | |
| Required settings: | | A092, A093, A094=0 | | |
| Notes: | | <ul style="list-style-type: none"> Function A094 selects the method for second stage acceleration. It must be set = 00 to select the input terminal method in order for the [2CH] terminal assignment to operate. | | |
| | | | | See I/O specs on page 4-9. |

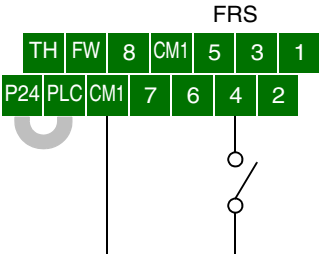
Free-run Stop

When the terminal [FRS] is turned ON, the inverter turns OFF the output and the motor enters the free-run state (coasting). If terminal [FRS] is turned OFF, the output resumes sending power to the motor if the Run command is still active. The free-run stop feature works with other parameters to provide flexibility in stopping and starting motor rotation.

In the figure below, parameter B088 selects whether the inverter resumes operation from 0 Hz (left graph) or the current motor rotation speed (right graph) when the [FRS] terminal turns OFF. The application determines the best setting.

Parameter B003 specifies a delay time before resuming operation from a free-run stop. To disable this feature, use a zero delay time.

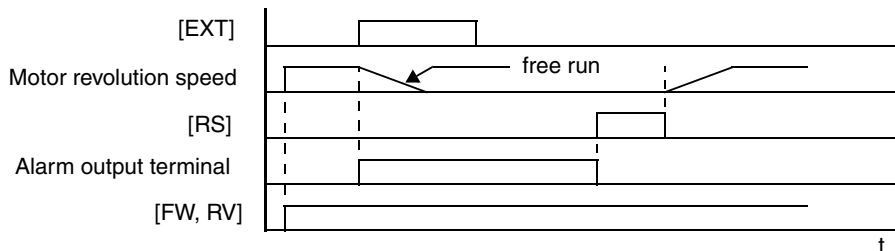


| Opt. Code | Symbol | Function Name | Input State | Description |
|----------------------------|--------|--|--|---|
| 11 | FRS | Free-run Stop | ON | Causes output to turn OFF, allowing motor to free run (coast) to stop |
| | | | OFF | Output operates normally, so controlled deceleration stops motor |
| Valid for inputs: | | C001, C002, C003, C004, C005, C006, C007, C008 | Example: (Default input configuration shown—see page 3-47. Jumper position shown is for -xFU/-xFR models; for -xFE models, see page 4-12.)  | |
| Required settings: | | B003, B088, C011 to C018 | | |
| Notes: | | <ul style="list-style-type: none"> When you want the [FRS] terminal to be active low (normally closed logic), change the setting (C011 to C018) that corresponds to the input (C001 to C008) that is assigned the [FRS] function. | | |
| See I/O specs on page 4-9. | | | | |

External Trip

When the terminal [EXT] is turned ON, the inverter enters the trip state, indicates error code E12, and stops the output. This is a general purpose interrupt type feature, and the meaning of the error depends on what you connect to the [EXT] terminal. Even if [EXT] is turned OFF, the inverter remains in the trip state. You must reset the inverter or cycle power to clear the error, returning the inverter to the Stop Mode.

In the graph below, the [EXT] input turns ON during normal Run Mode operation. The inverter lets the motor free-run to a stop, and the alarm output turns ON immediately. When the operator initiates a Reset command, the alarm and error are cleared. When the Reset is turned OFF, the motor begins rotation since the Run command is already active.



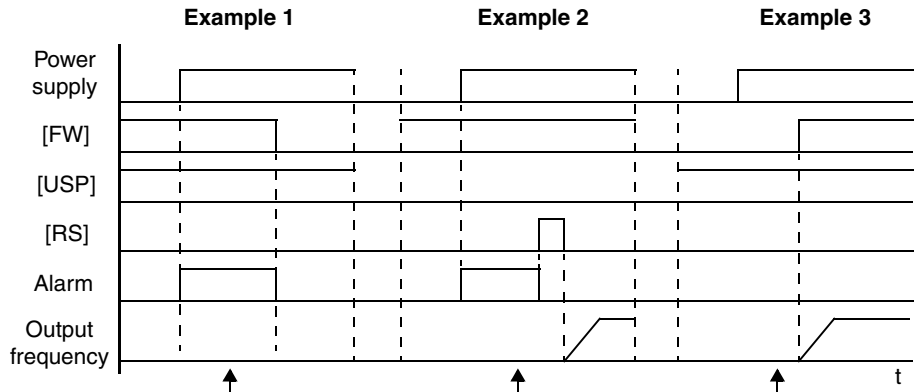
| Opt. Code | Symbol | Function Name | Input State | Description |
|---------------------------|--------|---|---|---|
| 12 | EXT | External Trip | ON | When assigned input transitions OFF to ON, inverter latches trip event and displays E12 |
| | | | OFF | No trip event for ON to OFF, any recorded trip events remain in history until Reset |
| Valid for inputs: | | C001, C002, C003, C004, C005, C006, C007, C008 | Example: (Requires input configuration—see page 3-47. Jumper position shown is for -xFU/-xFR models; for -xFE models, see page 4-12.) See I/O specs on page 4-9. | |
| Required settings: | | (none) | | |
| Notes: | | <ul style="list-style-type: none"> If the USP (Unattended Start Protection) feature is in use, the inverter will not automatically restart after cancelling the EXT trip event. In that case, it must receive either another Run command (OFF-to-ON transition), a keypad Reset command, or an [RS] intelligent terminal input signal. | | |

Unattended Start Protection

If the Run command is already present when power is turned ON, the inverter starts running immediately after powerup. The Unattended Start Protection (USP) function prevents that automatic startup, so that the inverter *will not* run without outside intervention. When USP is active, there are two ways to reset an alarm and resume running:

1. Turn the Run command OFF, or
2. Perform a reset operation by the terminal [RS] input or the keypad Stop/reset key

The three examples below show how the USP function works in the scenarios described at the bottom of the diagram. The error code E13 indicates the USP trip state and corresponds to the *Alarm* signal in the diagram.



When USP is ON after powerup, the alarm (E13) will clear when the Run command (FW or RV) turns OFF.

If the alarm is cleared during Run command, the inverter output restarts automatically.

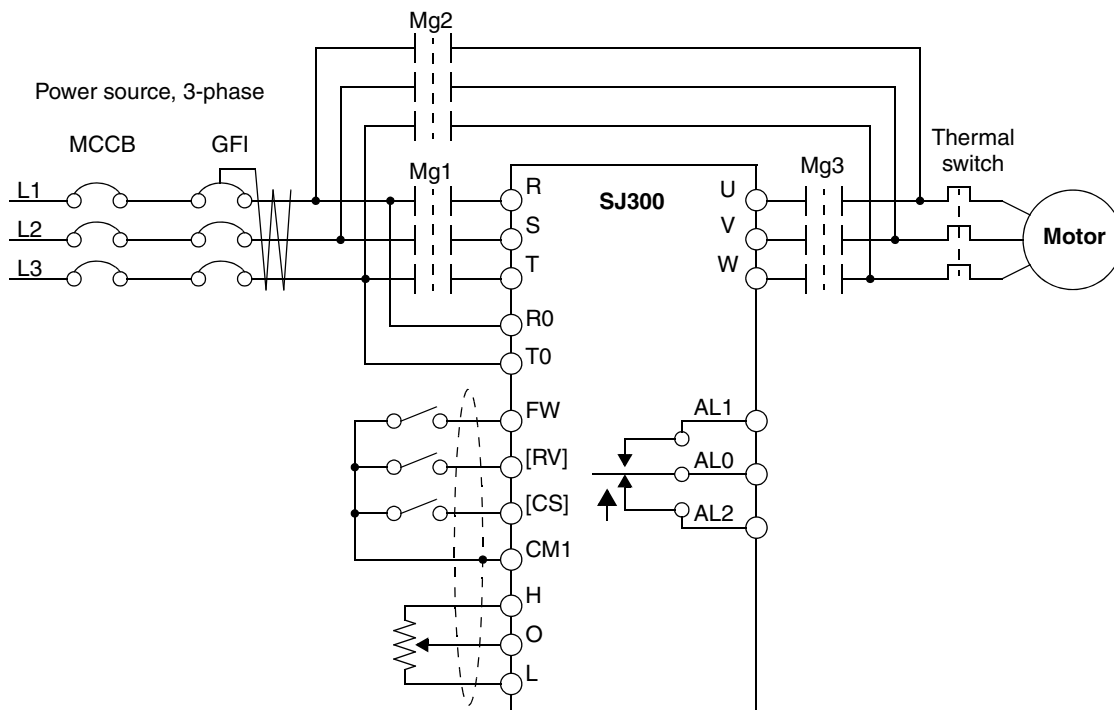
If the Run command is already OFF at powerup, the inverter output starts normally.

| Opt. Code | Symbol | Function Name | Input State | Description |
|--|--------|--|--|--|
| 13 | USP | Unattended Start Protection | ON | At powerup, the inverter will not resume a Run command |
| | | | OFF | At powerup, the inverter will resume a Run command that was active before power loss |
| Valid for inputs: | | C001, C002, C003, C004, C005, C006, C007, C008 | Example: (Default input configuration shown for -FU models; -FE and -F models require input configuration—see page 3-47. Jumper position shown is for -xFU/-xFR models; for -xFE models, see page 4-12.) | |
| Required settings: | | (none) | | |
| <p>Notes:</p> <ul style="list-style-type: none"> Note that when a USP error occurs and it is canceled by a reset from the [RS] terminal input or keypad, the inverter restarts immediately. Even when the trip state is canceled by turning the terminal [RS] ON and OFF after an under-voltage trip E09 occurs, the USP function will be performed. When the Run command is active immediately after the power is turned ON, a USP error will occur. When this function is used, wait for at least three (3) seconds after powerup before applying a Run command. | | | | |
| | | | <p style="text-align: center;">USP</p> <p style="text-align: center;">See I/O specs on page 4-9.</p> | |

Commercial Power Source Switching

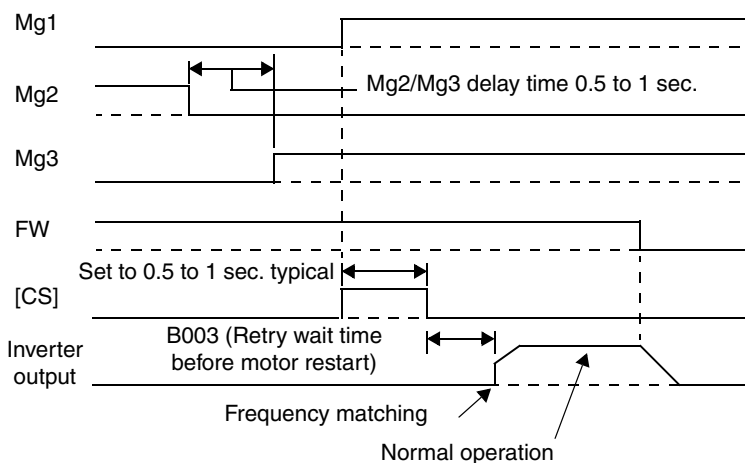
The commercial power source switching function is useful in systems with excessive starting torque requirements. This feature permits the motor to be started “across the line,” sometimes called a *bypass* configuration. After the motor is running, the inverter takes over to control the speed. This feature can eliminate the need to oversize the inverter, reducing cost. However, additional hardware such as magnetic contactors will be required to realize this function. For example, a system may require 55KW to start, but only 15KW to run at constant speed. Therefore, a 15KW rated inverter would be sufficient when using the commercial power source switching.

The following block diagram shows an inverter system with *bypass* capability. When starting the motor directly across the line, relay contacts Mg2 are closed, and Mg1 and Mg3 are open. This is the bypass configuration, since the inverter is isolated from the power source and motor. Then Mg1 contacts close about 0.5 to 1 second after that, supplying power to the inverter.



Operations and Monitoring

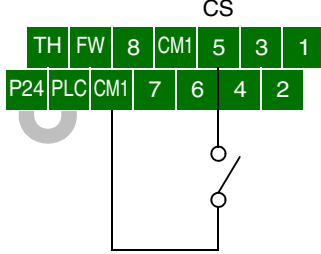
Switching to inverter control occurs after the motor is running at full speed. First, Mg2 relay contacts open. Then about 0.5 to 1 seconds later, relay Mg3 contacts close, connecting the inverter to the motor. The following timing diagram shows the event sequence:



In the previous timing diagram, when the motor has been started across the line, Mg2 is switched OFF and Mg3 is switched ON. With the Forward command to the inverter already ON, the [CS] terminal is switched ON and relay Mg1 contacts close. The inverter will then read the motor RPM (frequency matching). When the [CS] terminal is switched OFF, the inverter applies the *Retry wait time before motor restart* parameter (B003).

Once the delay time has elapsed the inverter will then start and match the frequency (if greater than the threshold set by B007). If the ground fault interrupter breaker (GFI) trips on a ground fault, the bypass circuit will not operate the motor. When an inverter backup is required, take the supply from the bypass circuit GFI. Use control relays for [FW], [RV], and [CS].

The commercial power source switching function requires you to assign [CS] to an intelligent input terminal, using option code 14.

| Opt. Code | Symbol | Function Name | Input State | Description |
|--|--------|--|---|--|
| 14 | CS | Commercial Power Change | ON | OFF-to-ON transition signals the inverter that the motor is already running at powerup (via bypass), thus suppressing the inverter's motor output in Run Mode |
| | | | OFF | ON-to-OFF transition signals the inverter to apply a time delay (B003), frequency match its output to existing motor speed, and resume normal Run Mode operation |
| Valid for inputs: | | C001, C002, C003, C004, C005, C006, C007, C008 | Example: (Requires input configuration—see page 3-47. Jumper position shown is for -xFU/-xFR models; for -xFE models, see page 4-12.)  | |
| Required settings: | | B003, B007 | | |
| Notes: <ul style="list-style-type: none"> If an over-current trip occurs during frequency matching, extend the retry wait time B003. | | | | |

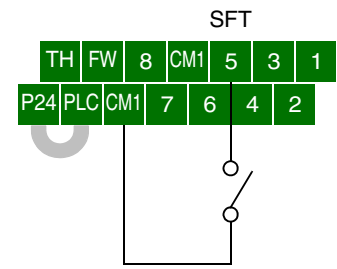
See I/O specs on page 4-9.

Software Lock

When the terminal [SFT] is turned ON, the data of all the parameters and functions (except the output frequency, depending on the setting of B031) is locked (prohibited from editing). When the data is locked, the keypad keys cannot edit inverter parameters. To edit parameters again, turn OFF the [SFT] terminal input.

Use parameter B031 to select whether the output frequency is excluded from the lock state or is locked as well.

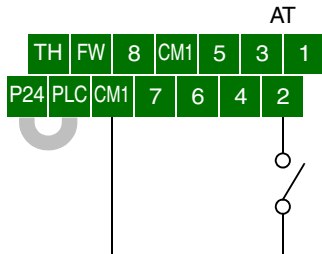
| Opt. Code | Symbol | Function Name | Input State | Description |
|--|--------|--|---|--|
| 15 | SFT | Software Lock | ON | The keypad and remote programming devices are prevented from changing parameters |
| | | | OFF | The parameters may be edited and stored |
| Valid for inputs: | | C001, C002, C003, C004, C005, C006, C007, C008 | Example: (Requires input configuration—see page 3-47 . Jumper position shown is for -xFU/-xFR models; for -xFE models, see page 4-12 .) | |
| Required settings: | | B031 (excluded from lock) | | |
| Notes: <ul style="list-style-type: none"> • When the [SFT] terminal is turned ON, only the output frequency can be changed. • Software lock can include the output frequency by setting B031. • Software lock by the operator is also possible without the [SFT] terminal being used (B031). | | | | |



See I/O specs on page [4-9](#).

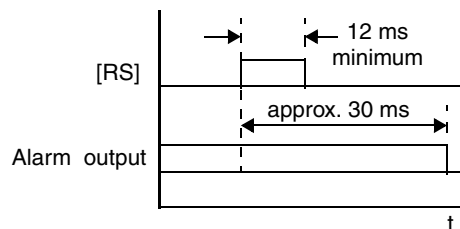
Analog Input Current/Voltage Select

The [AT] terminal operates in conjunction with parameter setting A005 to determine the analog input terminals that are enabled for current or voltage input. Setting A006 determines whether the signal will be bipolar, allowing for a reverse direction range. Note that current input signal cannot be bipolar and cannot reverse direction (must use [FW] and [RV] command with current input operation). The following table shows the basic operation of the [AT] intelligent input. Please refer to [“Analog Input Operation” on page 4-59](#) for more information on bipolar input configuration, and the operating characteristics of analog inputs.

| Opt. Code | Symbol | Function Name | Input State | Description |
|---------------------------|--------|---|--|---|
| 16 | AT | Analog Input Voltage/current Select | ON | <ul style="list-style-type: none"> With A005 = 00, [AT] will enable terminals [OI]-[L] for current input, 4 to 20mA With A005=01, [AT] will enable terminals [O2]-[L] for voltage input |
| | | | OFF | Terminals [O]-[L] are enabled for voltage input (A005 may be equal to 00 or 01) in this case |
| Valid for inputs: | | C001, C002, C003, C004, C005, C006, C007, C008 | Example: (Default input configuration shown—see page 3-47 . Jumper position shown is for -xFU/-xFR models; for -xFE models, see page 4-12 .)  See I/O specs on page 4-9 . | |
| Required settings: | | A001 = 01 A005 = 00 / 01 A006 = 00 / 01 / 02 | | |
| Notes: | | <ul style="list-style-type: none"> Be sure to set the frequency source setting A001=01 to select the analog input terminals. | | |

Reset Inverter

The [RS] terminal causes the inverter to execute the reset operation. If the inverter is in Trip Mode, the reset cancels the Trip state. When the signal [RS] is turned ON and OFF, the inverter executes the reset operation. The minimum pulse width for [RS] must be 12 ms or greater. The alarm output will be cleared within 30 ms after the onset of the Reset command.



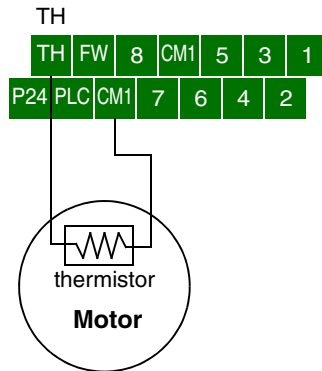
WARNING: After the Reset command is given and the alarm reset occurs, the motor will restart suddenly if the Run command is already active. Be sure to set the alarm reset after verifying that the Run command is OFF to prevent injury to personnel.

| Opt. Code | Symbol | Function Name | Input State | Description |
|---|--------|--|--|---|
| 18 | RS | Reset Inverter | ON | The motor output is turned OFF, the Trip Mode is cleared (if it exists), and powerup reset is applied |
| | | | OFF | Normal power-on operation |
| Valid for inputs: | | C001, C002, C003, C004, C005, C006, C007, C008 | Example: (Default input configuration shown—see page 3-47. Jumper position shown is for -xFU/-xFR models; for -xFE models, see page 4-12.) | |
| Required settings: | | B003, B007, C102, C103 | | |
| <p>Notes:</p> <ul style="list-style-type: none"> When the control terminal [RS] input is already ON at powerup for more than 4 seconds, the remote operator display is “R-ERROR COMM<2>” (the display of the digital operator is - - - -). However, the inverter has no error. To clear the digital operator error, turn OFF the terminal [RS] input and press one of the operator keys. The active edge (leading or trailing) of the [RS] signal is determined by the setting of C102. A terminal configured with the [RS] function can only be configured as a normally open contact. The terminal cannot be used in the normally closed contact state. When input power is turned ON, the inverter performs the same reset operation as it does when a pulse on the [RS] terminal occurs. | | | | |

See I/O specs on page 4-9.

Thermistor Thermal Protection

Motors that are equipped with a thermistor can be protected from overheating. Input terminal [TH] is dedicated to sense a thermistor resistance. The input can be set up (via B098 and B099) to accept a wide variety of NTC or PTC type thermistors. Use this function to protect the motor from overheating.

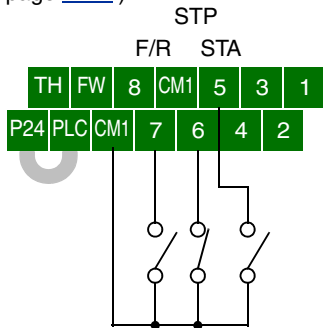
| Opt. Code | Symbol | Function Name | Input State | Description |
|---------------------------|--------|--|-------------|---|
| — | TH | Thermistor Thermal Protection | Sensor | When a thermistor is connected between to terminals [TH] and [CM1], the inverter checks for over-temperature and will cause a trip (E35) and turn OFF the output to the motor |
| | | | Open | An open circuit in the thermistor causes a trip, and the inverter turns OFF the output |
| Valid for inputs: | | [TH] only | | Example:  |
| Required settings: | | B098, B099, and C085 | | |
| Notes: | | <ul style="list-style-type: none"> Be sure the thermistor is connected to terminals [TH] and [CM1]. If the resistance is above or below (depending on whether NTC or PTC) the threshold the inverter will trip. When the motor cools down enough, the thermistor resistance will change enough to permit you to clear the error. Press the STOP/Reset key to clear the error. | | |

See I/O specs on page [4-9](#).

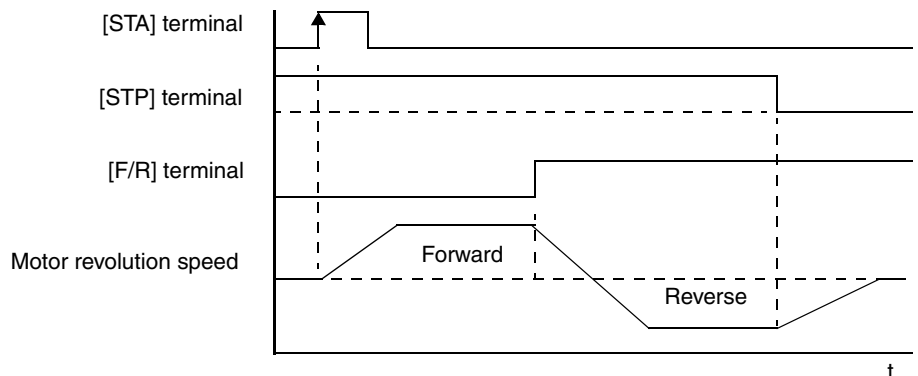
Three-wire Interface Operation

The 3-wire interface is an industry standard motor control interface. This function uses two inputs for momentary contact start/stop control, and a third for selecting forward or reverse direction. To implement the 3-wire interface, assign 20 [STA] (Start), 21 [STP] (Stop), and 22 [F/R] (Forward/Reverse) to three of the intelligent input terminals. Use momentary contact for Start and Stop. Use a selector switch, such as SPST for the Forward/Reverse input. Be sure to set the operation command selection A002=01 for input terminal control of motor.

If you have a motor control interface that needs logic-level control (rather than momentary pulse control), use the [FW] and [RV] inputs instead.

| Opt. Code | Symbol | Function Name | Input State | Description |
|---------------------------|--------|--|--|---|
| 20 | STA | Start Motor | ON | Start motor rotation on momentary contact (uses acceleration profile) |
| | | | OFF | No change to motor operation |
| 21 | STP | Stop Motor | ON | No change to motor operation |
| | | | OFF | Stop motor rotation on momentary contact (uses deceleration profile) |
| 22 | F/R | Forward/Reverse | ON | Select <i>reverse</i> direction of rotation |
| | | | OFF | Select <i>forward</i> direction of rotation |
| Valid for inputs: | | C001, C002, C003, C004, C005, C006, C007, C008 | Example: (Requires input configuration—see page 3-47. Jumper position shown is for -xFU/-xFR models; for -xFE models, see page 4-12.)  | |
| Required settings: | | A002=01 | | |
| Notes: | | <ul style="list-style-type: none"> The STP logic is inverted. Normally the switch will be closed, so you open the switch to stop. In this way, a broken wire causes the motor to stop automatically (safe design). When you configure the inverter for 3-wire interface control, the dedicated [FW] terminal is automatically disabled. The [RV] intelligent terminal assignment is also disabled. | | |

The diagram below shows the use of 3-wire control. STA (Start Motor) is an edge-sensitive input; an OFF-to-ON transition gives the Start command. The control of direction is level-sensitive, and the direction may be changed at any time. STP (Stop Motor) is also a level-sensitive input.



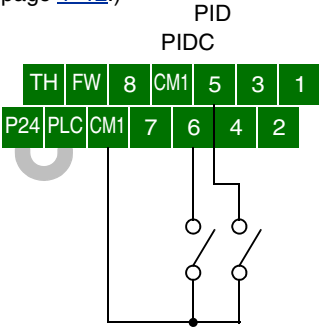
PID ON/OFF and PID Clear

The PID loop function is useful for controlling motor speed to achieve constant flow, pressure, temperature, etc. in many process applications. The PID Disable function temporarily suspends PID loop execution via an intelligent input terminal. It overrides the parameter A071 (PID Enable) to stop PID execution and return to normal motor frequency output characteristics. The use of PID Disable on an intelligent input terminal is optional. Of course, any use of the PID loop control requires setting PID Enable function A071=01.

The PID Clear function forces the PID loop integrator sum = 0. So, when you turn ON an intelligent input configured as [PIDC], the integrator sum is reset to zero. This is useful when switching from manual control to PID loop control and the motor is stopped.



CAUTION: Be careful not to turn PID Clear ON and reset the integrator sum when the inverter is in Run Mode (output to motor is ON). Otherwise, this could cause the motor to decelerate rapidly, resulting in a trip.

| Opt. Code | Symbol | Function Name | Input State | Description |
|---------------------------|--------|--|-------------|---|
| 23 | PID | PID Disable | ON | Disables PID loop execution |
| | | | OFF | Allows PID loop execution if A71=01 |
| 24 | PIDC | PID Clear | ON | Force the value of the integrator to zero |
| | | | OFF | No change to PID loop execution |
| Valid for inputs: | | C001, C002, C003, C004, C005, C006, C007, C008 | | Example: (Requires input configuration—see page 3-47 . Jumper position shown is for -xFU/-xFR models; for -xFE models, see page 4-12 .)  |
| Required settings: | | A071 | | |
| Notes: | | <ul style="list-style-type: none"> The use of [PID] and [PIDC] terminals are optional. Use A071=01 if you want PID loop control enabled all the time. Do not enable/disable PID control while the motor is running (inverter is in Run Mode). Do not turn ON the [PIDC] input while the motor is running (inverter is in Run Mode). | | |
| | | | | See I/O specs on page 4-9 . |

Internal Speed Loop Gain Settings

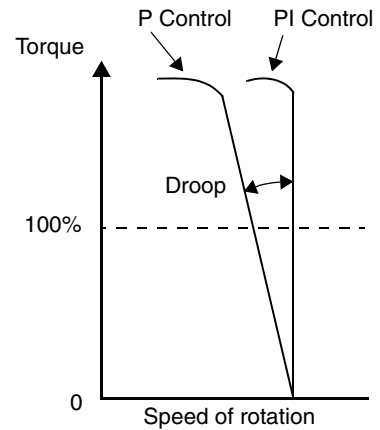
When sensorless vector control, 0Hz sensorless vector control, or vector control with sensor is selected for the control method, the Control Gain Switching function selects between two sets of gains in the internal speed loop. These gains are used in proportional and integral compensation. Use option code 26 to assign the [CAS] function to an intelligent input terminal. Use option code 43 to select between P and PI control.

| Opt. Code | Symbol | Function Name | Input State | Description |
|---------------------------|--------|--|---|---|
| 26 | CAS | Control Gain Switching | ON | Gains in parameters H070, H071, and H072 are selected |
| | | | OFF | Gains in parameters H050, H051, H052; or, H250, H251, H252 (2nd motor) are selected |
| 43 | PPI | P / PI Control Switching | ON | Selects Proportional control (P) |
| | | | OFF | Selects Proportional-Integral control (PI) |
| Valid for inputs: | | C001, C002, C003, C004, C005, C006, C007, C008 | Example: (Requires input configuration—see page 3-47. Jumper position shown is for -xFU/-xFR models; for -xFE models, see page 4-12.) CAS PPI | |
| Required settings: | | A044 / A244 / A344 = 03 (SLV), or 04 (0 Hz domain), or 05 (V2) | | |
| Notes: | | <ul style="list-style-type: none"> When Control Gain Switching is not selected for an intelligent input terminal, the default gains in effect correspond to the OFF state of [CAS]. | | |

The table below lists the functions and parameter settings related to internal speed loop gains.

| Function Code | Parameter | Setting Range | Description |
|--------------------|------------------------------------|-------------------|-------------------------------------|
| A044 / A244 / A344 | Control method selection | 03 | SLV (does not use A344) |
| | | 04 | 0-Hz Domain SLV (does not use A344) |
| | | 05 | V2 (does not use A244 or A344) |
| C001 - C008 | Intelligent input selection | 43 | PPI : P/I switching |
| H005 / H205 | Speed response | 0.001 to 65.53 | No dimension |
| H050 / H250 | PI proportional gain | 0.0 to 999.9/1000 | % gain |
| H051 / H251 | PI integral gain | 0.0 to 999.9/1000 | % gain |
| H052 / H252 | P proportional gain | 0.01 to 10.00 | No dimension |
| H070 | PI proportional gain for switching | 0.0 to 999.9/1000 | % gain |
| H071 | PI integral gain for switching | 0.0 to 999.9/1000 | % gain |
| H072 | P proportional gain for switching | 0.0 to 10.0 | No dimension |

The speed control mode is normally proportional-integral compensation (PI), which attempts to keep the deviation between the actual speed and speed command equal to zero. You can also select proportional (P) control function, which can be used for *droop* control (i.e. several inverters driving one load). *Droop* is the speed difference resulting from P control versus PI control at 100% output torque as shown in the graph. Set the P/PI switching function (option 43) to one of the intelligent input terminals [1] to [8]. When the P/PI input terminal is ON, the control mode becomes proportional control (P). When the P/PI input terminal is OFF, the control mode becomes proportional-integral control.



The proportional gain K_{pp} value determines the droop. Set the desired value using parameter H052. The relationship between the K_{pp} value and the droop is shown below:

$$\text{Droop} = \frac{10}{(K_{pp} \text{ Set Value})}(\%)$$

The relationship between the droop and the rated rotation speed is shown below:

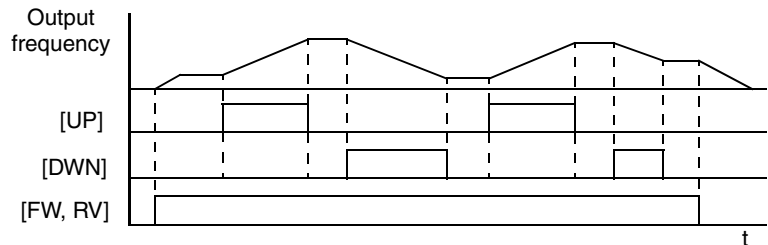
$$\text{Droop} = \frac{\text{Speed error at rated torque}}{\text{Synchronous speed base frequency}}$$

Remote Control Up and Down Functions

The [UP] [DWN] terminal functions can adjust the output frequency for remote control while the motor is running. The acceleration time and deceleration time used with this function is the same as for normal operation ACC1 and DEC1 (2ACC1,2DEC1). The input terminals operate as follows:

- Acceleration - When the [UP] contact is turned ON, the output frequency accelerates from the current value. When it is turned OFF, the output frequency maintains its current value.
- Deceleration - When the [DWN] contact is turned ON, the output frequency decelerates from the current value. When it is turned OFF, the output frequency maintains its current value.

In the graph below, the [UP] and [DWN] terminals activate while the Run command remains ON. The output frequency responds to the [UP] and [DWN] commands.



It is possible for the inverter to retain the frequency set from the [UP] and [DWN] terminals through a power loss. Parameter C101 enables/disables the memory. If disabled, the inverter retains the last frequency before an UP/DWN adjustment. Use the [UDC] terminal to clear the memory and return to the original set output frequency.

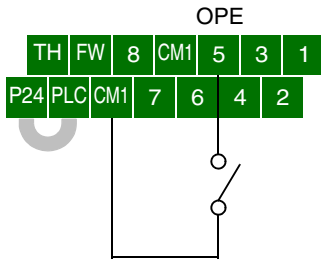
| Opt. Code | Symbol | Function Name | Input State | Description |
|---------------------------|--------|--|---|---|
| 27 | UP | Remote Control UP Function | ON | Accelerates (increases output frequency) motor from current frequency |
| | | | OFF | Output to motor operates normally |
| 28 | DWN | Remote Control DOWN Function | ON | Decelerates (decreases output frequency) motor from current frequency |
| | | | OFF | Output to motor operates normally |
| 29 | UDC | Remote Control Data Clear | ON | Clears the Up/down frequency memory |
| | | | OFF | No effect on Up/down memory |
| Valid for inputs: | | C001, C002, C003, C004, C005, C006, C007, C008 | Example: (Requires input configuration—see page 3-47. Jumper position shown is for -xFU/-xFR models; for -xFE models, see page 4-12.) | |
| Required settings: | | A001 = 02 C101 = 01 (enables memory) | | |
| Notes: | | <ul style="list-style-type: none"> • This feature is available only when the frequency command source is programmed for operator control. Confirm A001 is set to 02. • This function is not available when [JG] is in use. • The range of output frequency is 0 Hz to the value in A004 (maximum frequency setting). • The Remote Control Up/Down function varies the inverter speed by directly writing to the F001 output frequency setting. | | |

UP
UDC DWN

See I/O specs on page 4-9.

Force Operation from Digital Operator

This function permits a digital operator interface to override the Run command source setting (A002) when it is configured for a source other than the operator interface. When the [OPE] terminal is ON and the operator interface gives a Run command, the inverter uses the standard output frequency settings to operate the motor.

| Opt. Code | Symbol | Function Name | Input State | Description |
|--|--------|--|---|--|
| 31 | OPE | Force Operation from Digital Operator | ON | Forces the operator interface Run command to over-ride commands from input terminals (such as [FW], [RV]). |
| | | | OFF | Run command operates normally, as configured by A002 |
| Valid for inputs: | | C001, C002, C003, C004, C005, C006, C007, C008 | Example: (Requires input configuration—see page 3-47. Jumper position shown is for -xFU/-xFR models; for -xFE models, see page 4-12.) | |
| Required settings: | | A001 A002 (set not equal to 02) | | |
| Notes: <ul style="list-style-type: none"> When changing the [OPE] state during Run Mode (inverter is driving the motor), the inverter will stop the motor before the new [OPE] state takes effect. If the [OPE] input turns ON and the digital operator gives a Run command while the inverter is already running, the inverter stops the motor. Then the digital operator can control the motor. | | | | |
| | | | |  <p>See I/O specs on page 4-9.</p> |

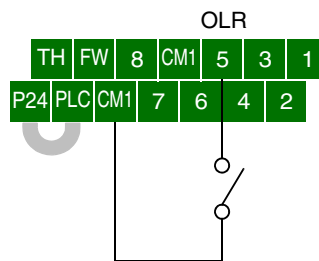
Overload Restriction

The inverter constantly monitors the motor current during acceleration, deceleration, and constant speed. If the inverter reaches the overload restriction level, it adjusts the output frequency automatically to limit the amount of overload. This function prevents an over-current trip by inertia during rapid acceleration or large changes in load at constant speed. It also attempts to prevent an over-voltage trip on deceleration due to regeneration. It accomplishes this by temporarily suspending deceleration and/or increasing the frequency in order to dissipate regenerative energy. Once the DC bus voltage falls sufficiently, deceleration will resume.

OLR Parameter Selection – Two sets of overload restriction parameter settings and values are available as outlined in the table below. Use the B021—B026 group of settings to configure the two set of parameters as needed. By assigning the Overload Restriction function [OLR] to an intelligent terminal, you can select the set of restriction parameters that is in effect.

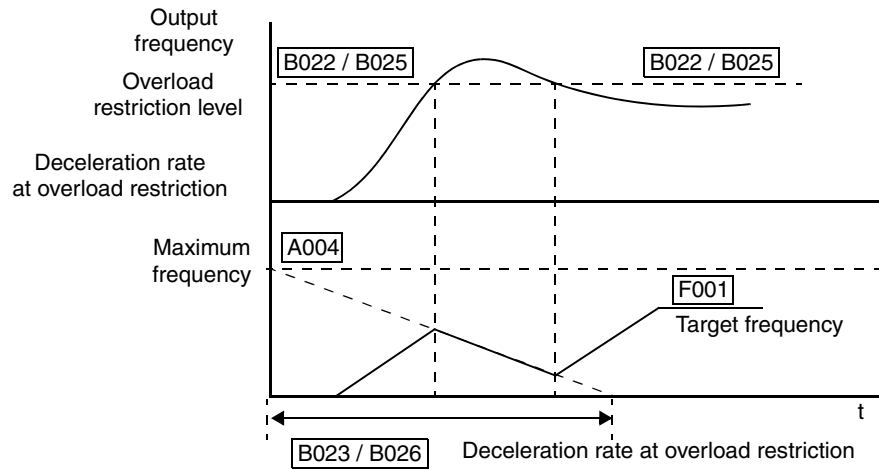
| Function | Function Code | | Data or Range | Description |
|---|---------------|-------|--|--|
| | Set 1 | Set 2 | | |
| Overload Restriction Operation Mode | B021 | B024 | 00 | Disable |
| | | | 01 | Enabled during accel and constant speed |
| | | | 02 | Enabled during constant speed |
| | | | 03 | Enabled during accel, constant speed, and decel |
| Overload Restriction Setting | B022 | B025 | Rated current * 0.5 to rated current * 2 | Current value at which the restriction begins |
| Deceleration Rate at Overload Restriction | B023 | B026 | 0.1 to 30 seconds | Deceleration time when overload restriction operates |

| Opt. Code | Symbol | Function Name | Input State | Description |
|--|--------|--|---|---|
| 39 | OLR | Overload Restriction Selection | ON | Selects Overload Restriction Set 2, B024, B025, B026 settings in effect |
| | | | OFF | Selects Overload Restriction Set 1, B021, B022, B023 settings in effect |
| Valid for inputs: | | C001, C002, C003, C004, C005, C006, C007, C008 | Example: (Requires input configuration—see page 3-47. Jumper position shown is for -xFU/-xFR models; for -xFE models, see page 4-12.) | |
| Required settings: | | B021, B022, B023 (Mode 1), B024, B025, B026 (Mode 2) | | |
| Notes: <ul style="list-style-type: none"> • If the overload restriction constant (B023 or B026) is set too short, an over-voltage trip during deceleration will occur due to regenerative energy from the motor. • When an overload restriction occurs during acceleration, the motor will take longer to reach the target frequency, or may not reach it. The inverter will make the following adjustments: <ol style="list-style-type: none"> a) Increase the acceleration time b) Raise torque boost c) Raise overload restriction level | | | | |



See I/O specs on page 4-9.

The figure below shows the operation during an overload restriction event. The overload restriction level is set by B022 and B025. The overload restriction constant is the time to decelerate to 0Hz from maximum frequency. When this function operates, the acceleration time will be longer than the normal acceleration time.



NOTE: The Overload Advance Notice function for intelligent outputs is related to Overload Restriction operation, discussed in [“Overload Advance Notice Signal” on page 4-46](#).

Torque Limit

The Torque Limit function limits the motor output torque for sensorless vector control, sensorless vector control 0Hz domain, or vector control with feedback.

In the torque limit function, the following operational modes are available (selected by B040):

1. Four-quadrant individual setting mode – This mode sets torque limit in 4 zones, forward driving and regenerating, reverse driving and regenerating. Limits for each quadrant are set with B041 – B044 individually.
2. Terminal selection mode – By use of torque limit select intelligent input terminals 1 and 2, this mode changes and uses torque limits 1 – 4 set in B041 – B044. Selected torque limit range is valid in all four quadrants.
3. Analog input mode – This mode sets torque limit value by the voltage applied to terminal [O2] (referenced to [L] for ground. An input of 0 – 10V corresponds to the torque limit value of 0 to 200%. The selected torque limit value is valid in all four quadrants (whether forward or reverse move, driving or regenerating).
4. Expansion Cards 1 and 2 – This function is valid when using the expansion card (SJ-DG). Please refer to the SJ-DG instruction manual.

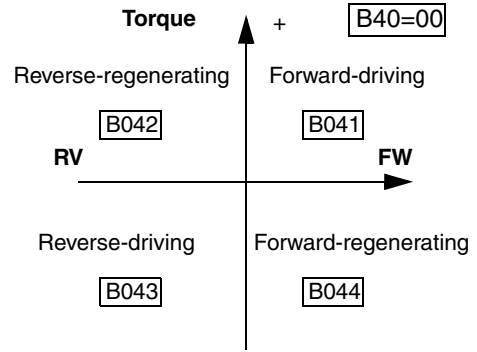
When the torque limit enable function [TL] is assigned to an intelligent input terminal, torque limiting occurs only when [TL] is ON. When the [TL] input is OFF, the inverter always uses the default torque control limit of 200% maximum. That torque limit value corresponds to 200% of the maximum inverter output current. Therefore, the output torque also depends on the particular motor in use. When the over-torque output [OTQ] is assigned in the intelligent output selection, it turns ON when the inverter is performing torque limiting.

| Code | Function | Data or Range | Description |
|--------------------|---|---------------|---|
| A044 / A244 | Control method selection | 00 | V/f Constant torque |
| | | 01 | V/f Variable torque |
| | | 02 | V/f Free-setting torque *1 |
| | | 03 | Sensorless vector *1 |
| | | 04 | Sensorless vector, 0 Hz domain *1 |
| B040 | Torque limit selection | 05 | Vector control with sensor *2 |
| | | 00 | 4-quadrant individual setting |
| | | 01 | Terminal selection |
| | | 02 | Analog [O2] input |
| | | 03 | Expansion card 1 |
| B041 | Torque limit 1 | 04 | Expansion card 2 |
| | | 0 to 200% | Forward-driving in 4-quadrant mode |
| B042 | Torque limit 2 | 0 to 200% | Reverse-regenerating in 4-quadrant mode |
| B043 | Torque limit 3 | 0 to 200% | Reverse-driving in 4-quadrant mode |
| B044 | Torque limit 4 | 0 to 200% | Forward-regenerating in 4-quadrant mode |
| C001 to C008 | Intelligent input terminal [1] to [8] function | 40 | Torque limit enable |
| | | 41 | Torque limit selection, bit 1 (LSB) |
| | | 42 | Torque limit selection, bit 2 (MSB) |
| C021 to C025 | Intelligent output terminal [11] to [15] function | 10 | In torque limit |

Note 1: Unavailable for A344

Note 2: Unavailable for A244 and A344

The 4-quadrant operation mode for torque limiting (B040=00) is illustrated in the figure to the right. The instantaneous torque depends on inverter activity (acceleration, constant speed, or deceleration), as well as the load. These factors determine the operating quadrant at any particular time. The parameters in B041, B042, B043 and B044 determine the amount of torque limiting that the inverter applies.

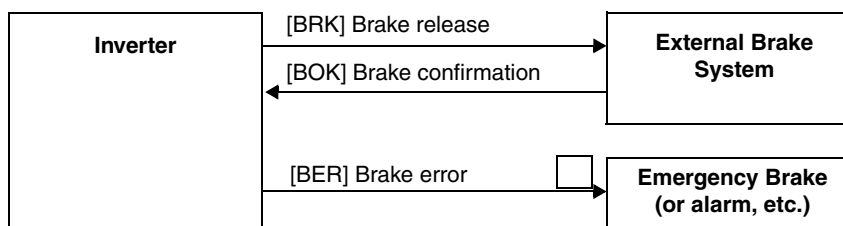


The terminal selection mode (B040=01) uses two intelligent inputs [TRQ1] and [TRQ2] for the binary-encoded selection of one of the four torque limit parameters B041, B042, B043 and B044.

| Opt. Code | Symbol | Function Name | Input State | Description | | | | | | | | | | | | | | | | | |
|--|--------|--|-------------|---|--------------------|--|------------------------|------|------|-----|-----|------|-----|----|------|----|-----|------|----|----|------|
| 40 | TL | Torque limit enable | ON | Enables torque limiting | | | | | | | | | | | | | | | | | |
| | | | OFF | Disables torque limiting | | | | | | | | | | | | | | | | | |
| 41 | TRQ1 | Torque limit select 1 | 0 / 1 | Torque limit select, Bit 1 (LSB) | | | | | | | | | | | | | | | | | |
| 42 | TRQ2 | Torque limit select 2 | 0 / 1 | Torque limit select, Bit 2 (MSB) | | | | | | | | | | | | | | | | | |
| Valid for inputs: | | C001, C002, C003, C004, C005, C006, C007, C008 | | Examples: (Require input configuration—see page 3-47. Jumper position shown is for -xFU/-xFR models; for -xFE models, see page 4-12.) | | | | | | | | | | | | | | | | | |
| Required settings: | | B040, B041, B042, B043, B044 | | | | | | | | | | | | | | | | | | | |
| Notes: | | | | | | | | | | | | | | | | | | | | | |
| <ul style="list-style-type: none"> Both the 4-quadrant mode and terminal switching mode of torque limiting use input [TL] for enable/disable. Inputs TRQ1 and TRQ2 apply only to terminal switching mode. | | | | | | | | | | | | | | | | | | | | | |
| <table border="1" style="margin-left: auto; margin-right: auto;"> <thead> <tr> <th colspan="2">Intelligent Inputs</th> <th rowspan="2">Torque limit parameter</th> </tr> <tr> <th>TRQ2</th> <th>TRQ1</th> </tr> </thead> <tbody> <tr> <td>OFF</td> <td>OFF</td> <td>B041</td> </tr> <tr> <td>OFF</td> <td>ON</td> <td>B042</td> </tr> <tr> <td>ON</td> <td>OFF</td> <td>B043</td> </tr> <tr> <td>ON</td> <td>ON</td> <td>B044</td> </tr> </tbody> </table> | | | | | Intelligent Inputs | | Torque limit parameter | TRQ2 | TRQ1 | OFF | OFF | B041 | OFF | ON | B042 | ON | OFF | B043 | ON | ON | B044 |
| Intelligent Inputs | | Torque limit parameter | | | | | | | | | | | | | | | | | | | |
| TRQ2 | TRQ1 | | | | | | | | | | | | | | | | | | | | |
| OFF | OFF | B041 | | | | | | | | | | | | | | | | | | | |
| OFF | ON | B042 | | | | | | | | | | | | | | | | | | | |
| ON | OFF | B043 | | | | | | | | | | | | | | | | | | | |
| ON | ON | B044 | | | | | | | | | | | | | | | | | | | |
| <ul style="list-style-type: none"> When using the torque limit function at low speed, also use the overload restriction feature. | | | | | | | | | | | | | | | | | | | | | |
| | | | | | | | | | | | | | | | | | | | | | |
| See I/O specs on page 4-9. | | | | | | | | | | | | | | | | | | | | | |

External Brake Control Function

The External Brake Control function enables the inverter to control external electromechanical brake systems with a particular safety characteristic. For example, elevator control systems maintain the brake on the load until the drive motor has reached a *releasing* frequency (point at which the external mechanical brake is released). This ensures that the load does not have an opportunity to begin coasting before the inverter begins driving the motor. The External Brake Control function can be enabled by setting parameter B120=01. The diagram below shows the signals that are important to this function.



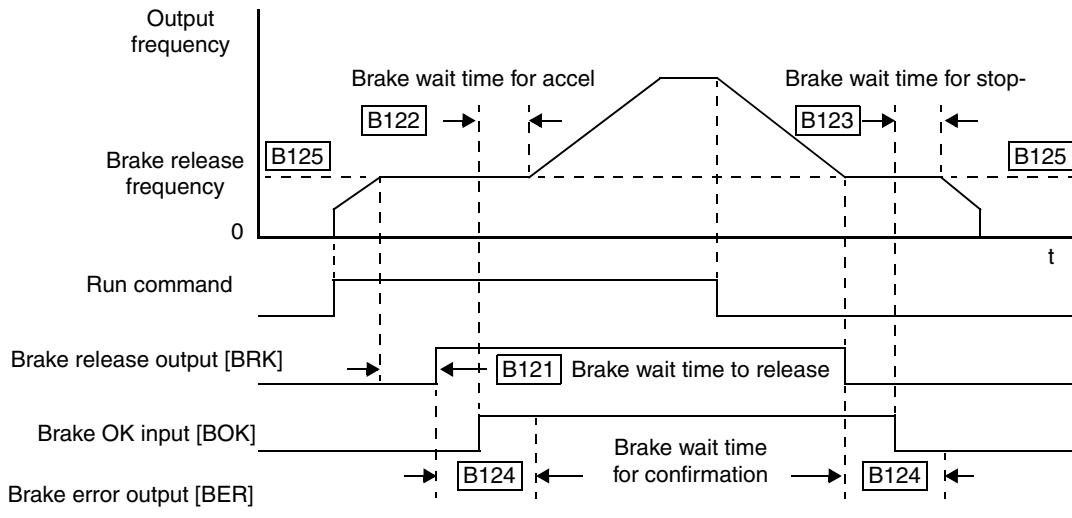
The steps below describe the timing diagram of events on the following page.

1. When the Run command turns ON, the inverter begins to operate and accelerate to releasing frequency (B125).
2. After the output frequency arrives at the set releasing frequency (B125), the inverter waits for the brake release confirmation, set by B121. The inverter outputs the braking release signal [BRK]. However, if the output current of the inverter is less than the releasing current set by B126, the inverter does not turn ON the brake release output [BRK]. The lack of the proper current level indicates a fault (such as open wire to motor). In this case, the inverter trips and outputs the braking error signal [BER]. This signal is useful to engage an emergency brake to ensure the load does not move, if the primary braking system has failed.
3. While the brake release output [BRK] is ON, the inverter drives the motor but does not accelerate immediately. The inverter waits for confirmation from the external brake. When the external brake system properly releases, it signals the inverter by using the Brake OK input terminal [BOK]. If [BOK] is not assigned to an intelligent input, B124 is ignored.
4. When the brake operates properly and signals with the [BOK] input, the inverter waits for the required time for acceleration (B122), and then begins to accelerate to the set target frequency. If [BOK] is not assigned to an intelligent input, acceleration begins after the delay time set by B122 after [BRK] signal occurs.
5. When the Run command turns OFF, the procedure outlined above happens in reverse. The idea is to engage the brake before the motor comes completely to a stop. The inverter decelerates to the releasing frequency (B125) and turns the brake release output [BRK] OFF to engage the brake.
6. The inverter does not decelerate further during just the waiting time for brake confirmation (B121). If the brake confirmation signal does not turn OFF within the waiting time for brake confirmation, the inverter causes a trip alarm and outputs the brake error signal [BER] (useful for engaging an emergency brake system).
7. Normally, the brake confirmation signal [BOK] turns OFF, and the inverter waits the required waiting time. Then the inverter begins to decelerate again and brings motor and load to a complete stop (see timing diagram on next page).

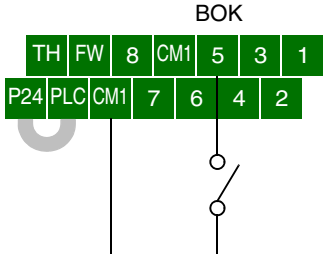
| Code | Function | Data or Range | Description |
|------|----------------------------------|-------------------------|--|
| B120 | Brake control enable | 00=Disable 01=Enable | Enables external brake control function within the inverter |
| B121 | Brake waiting time for release | 0.00 to 5.00 sec. | Sets the time delay after arrival at release frequency (B125) before the inverter outputs brake release signal [BRK] |
| B122 | Brake wait time for acceleration | 0.00 to 5.00 sec. | Sets time delay after brake confirmation signal [BOK] is received until the inverter begins to accelerate to the set frequency |

| Code | Function | Data or Range | Description |
|------|----------------------------------|--------------------------------------|---|
| B123 | Brake wait time for stopping | 0.00 to 5.00 sec. | Sets the time delay after brake confirmation signal [BOK] turns OFF (after [BRK] turns OFF) until decelerating the inverter to 0 Hz |
| B124 | Brake wait time for confirmation | 0.00 to 5.00 sec. | Sets the wait time for [BOK] signal after turn ON/OFF of [BRK] signal. If [BOK] is not received during the specified time, the inverter will trip with an external brake error [BER]. |
| B125 | Break release frequency setting | 0.00 to 99.99 Hz / 100.0 to 400.0 Hz | Sets the frequency at which the inverter outputs the brake release signal [BRK] after delay set by B121 |
| B126 | Brake release current setting | 0% to 200% of rated current | Sets the minimum inverter current level above which the brake release signal [BRK] will be permitted |

The diagram below shows the event sequence described in the steps on the previous page.



The following table pertains to the brake confirmation input.

| Opt. Code | Symbol | Function Name | Input State | Description |
|--|--------|--|---|---|
| 44 | BOK | Brake confirmation | ON | Indicates external brake is not engaged |
| | | | OFF | Indicates external brake is engaged |
| Valid for inputs: | | C001, C002, C003, C004, C005, C006, C007, C008 | Example: (Requires input configuration—see page 3-47. Jumper position shown is for -xFU/-xFR models; for -xFE models, see page 4-12.)  | |
| Required settings: | | B120=01 B121 to B126 set | | |
| Notes: <ul style="list-style-type: none"> The signal [BOK] turns ON to indicate that an external brake system has released. If external brake control is enabled (B120=01), then the [BOK] signal must work properly to avoid an inverter trip event. If [BOK] is not assigned to an intelligent input, then setting B124 is ignored. | | | | |

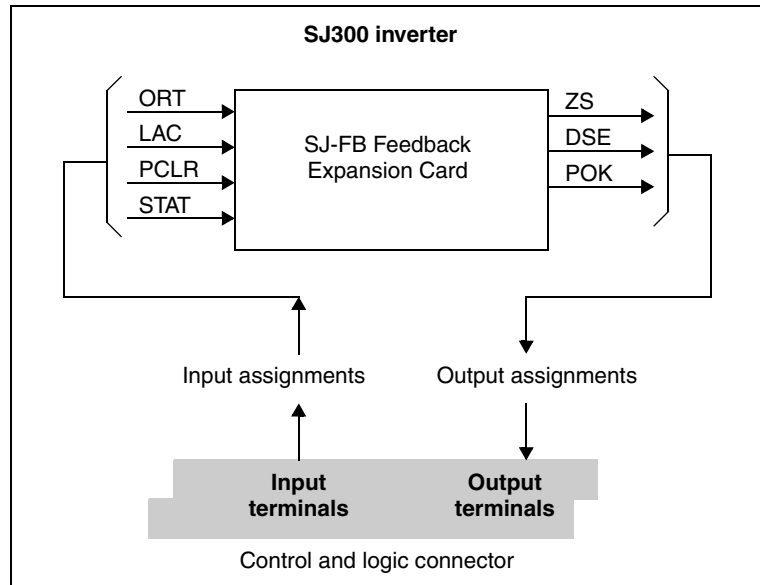
See I/O specs on page 4-9.

Expansion Card Input Signals

Other inputs listed below require the expansion card SJ-FB Encoder Feedback. Please see the SJ-FB manual for more information.

| Opt. Code | Symbol | Function Name | Description |
|-----------|--------|--------------------------|--|
| 45 | ORT | Orientation | Orientation (home search sequence) |
| 46 | LAC | LAD Cancel | Cancels the linear acceleration/deceleration position control in the feedback card |
| 47 | PCLR | Position deviation clear | Forces the position error to zero |
| 48 | STAT | Pulse train input enable | Starts the pulse train control of motor frequency |

The diagram below shows how the Input/Output connections for the SJ-FB feedback board. The inverter's internal connections and parameter configuration make these signals available on intelligent input and output terminals.

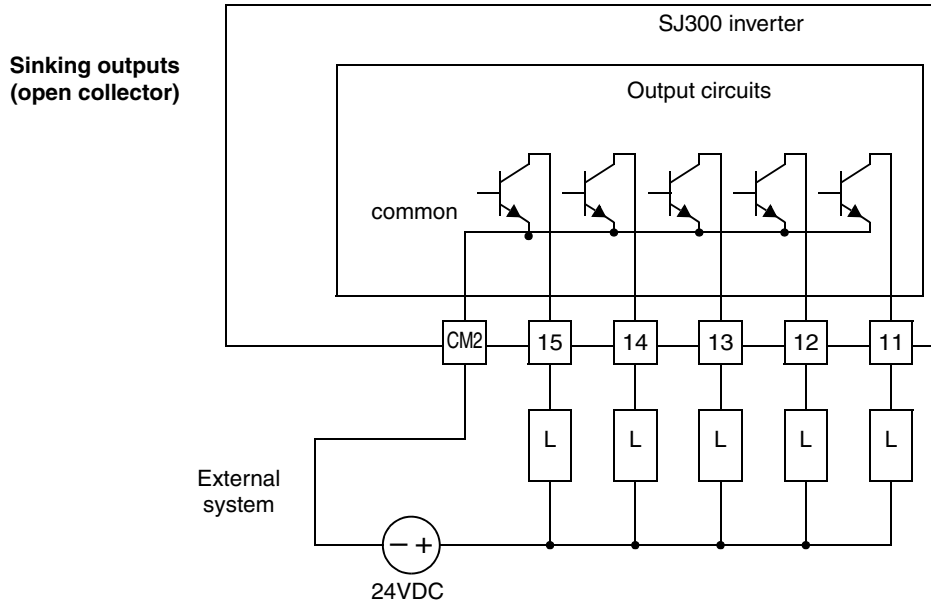


Operations and Monitoring

The information on outputs related to the SJ-FB expansion card is in [“Expansion Card Output Signals”](#) on page 4-58.

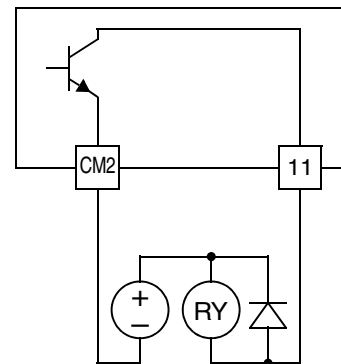
Using Intelligent Output Terminals

The intelligent output terminals are programmable in a similar way to the intelligent input terminals. The inverter has several output functions that you can assign individually to five physical logic outputs. Along with these solid-state outputs, the alarm relay output has type Form C (normally open and normally closed) contacts. The relay is assigned the alarm function by default, but you can assign it to any of the functions that the open-collector outputs can use.



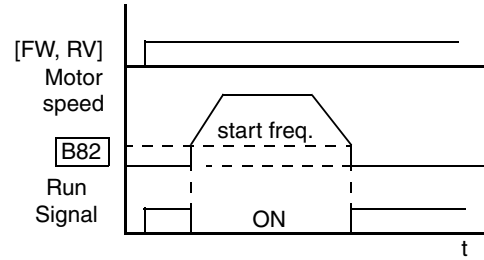
TIP: The open-collector transistor outputs can handle up to 50mA each. We highly recommend that you use an external power source as shown. It must be capable of providing at least 250mA to drive the outputs at full load.

If you need output current greater than 50mA, use the inverter output to drive a small relay. Be sure to use a diode across the coil of the relay as shown (reverse-biased) in order to suppress the turn-off spike, or use a solid-state relay.



Run Signal

When the [RUN] signal is selected as an intelligent output terminal, the inverter outputs a signal on that terminal when it is in Run Mode. The output logic is active low, and is the open collector type (switch to common).



| Opt. Code | Symbol | Function Name | Output State | Description |
|---------------------------|--------|--|---|-------------------------------|
| 00 | RUN | Run signal | ON | when inverter is in Run Mode |
| | | | OFF | when inverter is in Stop Mode |
| Valid for outputs: | | 11, 12, 13, 14, 15, AL0 – AL2 | Example: (Default output configuration shown—see page 3-53.) | |
| Required settings: | | (none) | <p>Inverter output terminal circuit</p> <p>See I/O specs on page 4-9.</p> | |
| Notes: | | <ul style="list-style-type: none"> The inverter outputs the [RUN] signal whenever the inverter output exceeds the start frequency specified by parameter B082. The start frequency is the initial inverter output frequency when it turns ON. | | |



NOTE: The example circuit in the table above drives a relay coil. Note the use of a diode to prevent the negative-going turn-off spike generated by the coil from damaging the inverter's output transistor.

Frequency Arrival Signals

The *Frequency Arrival* group of outputs help coordinate external systems with the current velocity profile of the inverter. As the name implies, output [FA1] turns ON when the output *frequency arrives* at the standard set frequency (parameter F001). Outputs [FA2] through [FA5] provide variations on this function for increased flexibility, relying on two programmable accel/ decel thresholds. For example, you can have an output turn ON at one frequency during acceleration, and have it turn OFF at a different frequency during deceleration. All transitions have hysteresis to avoid output chatter if the output frequency is near one of the thresholds.

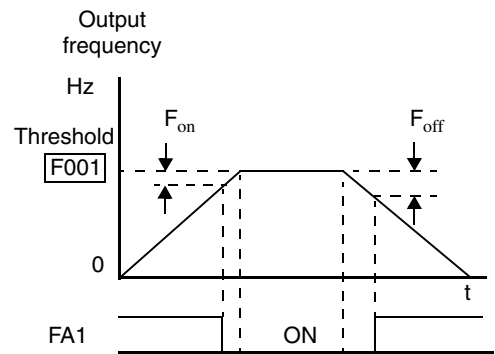
| Opt. Code | Symbol | Function Name | Output State | Description |
|---------------------------|--------|---|--|--|
| 01 | FA1 | Frequency arrival type 1 – constant speed | ON | when output to motor is at the standard set frequency F001 |
| | | | OFF | when output to motor is not at the set frequency F001 |
| 02 | FA2 | Frequency arrival type 2 – over-frequency | ON | when output to motor is at or above the FA threshold 1(C042) during accel |
| | | | OFF | when the output to motor is below the FA threshold 1 (C043) during decel |
| 06 | FA3 | Frequency arrival type 3 – at frequency | ON | when output to motor is at the FA threshold 1 (C042) during accel, or at C043 during decel |
| | | | OFF | when the output to motor is not at either the FA threshold 1 (C042) during accel or at C43 during decel |
| 24 | FA4 | Frequency arrival type 4 – over-frequency (2) | ON | when output to motor is at or above the FA threshold 2 (C045) during accel |
| | | | OFF | when the output to motor is below the FA threshold 2 (C046) during decel |
| 25 | FA5 | Frequency arrival type 5 – at frequency (2) | ON | when output to motor is at the FA threshold 2 (C045) during accel, or at C046 during decel |
| | | | OFF | when the output to motor is not at either the FA threshold 2 (C045) during accel or at C046 during decel |
| Valid for outputs: | | 11, 12, 13, 14, 15, AL0 – AL2 | Example: (Default output configuration shown—see page 3-53.) | |
| Required settings: | | F001, for FA1 C042 & C043, for FA2 & FA3 C045 & C046, for FA4 & FA5 | | |
| Notes: | | <ul style="list-style-type: none"> For most applications you will need to use only one or two of the frequency arrival type outputs (see example). However, it is possible assign all five output terminals to output functions [FA1] through [FA5]. For each frequency arrival threshold, the output anticipates the threshold (turns ON early) by an amount equal to 1% of the maximum frequency set for the inverter. The output turns OFF as the output frequency moves away from the threshold, delayed by an amount equal to 2% of the max. frequency. | | |

See I/O specs on page 4-9.

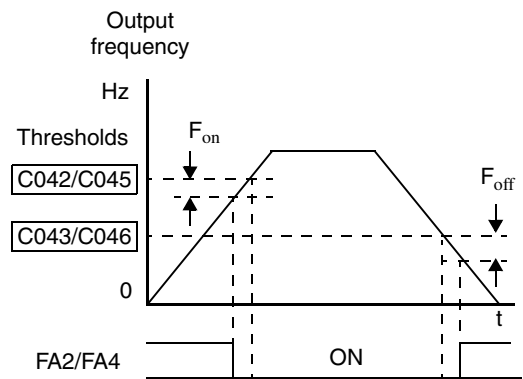
Frequency arrival output [FA1] uses the standard output frequency (parameter F001) as the threshold for switching. In the figure to the right, the inverter accelerates to the set output frequency, which serves as the threshold for [FA1]. Parameters F_{on} and F_{off} illustrate the hysteresis that prevents output chatter near the threshold value.

- F_{on} is 1% of the max. output frequency
- F_{off} is 2% of the max. output frequency

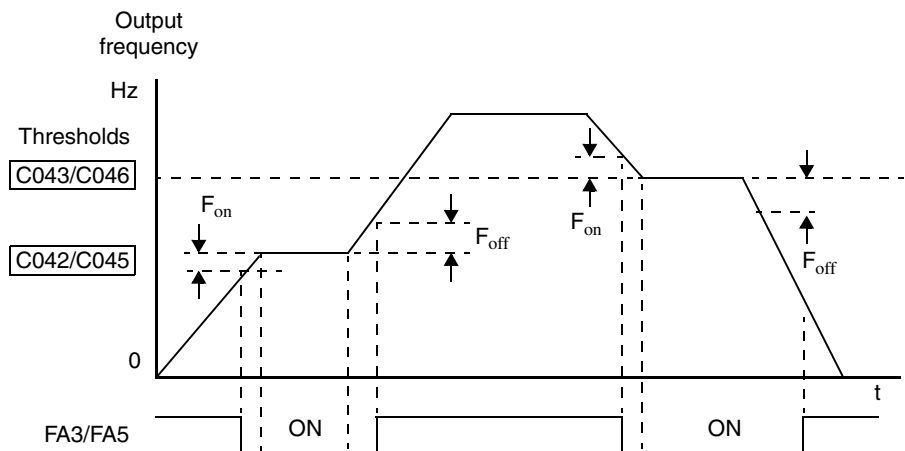
The hysteresis effect causes the output to turn ON slightly *early* as the speed approaches the threshold. Then the turn-OFF point is slightly *delayed*. The 1% and 2% values also apply to the remaining Frequency arrival outputs, discussed below.



Frequency Arrival outputs [FA2] and [FA4] work the same way; they just use two separate threshold pairs as shown in the figure. These provide for separate acceleration and deceleration thresholds to provide more flexibility than for [FA1]. [FA2] uses C042 and C045 for ON and OFF thresholds, respectively. [FA4] uses C043 and C046 for ON and OFF thresholds, respectively. Having different accel and decel thresholds provides an asymmetrical output function. However, you can use equal ON and OFF thresholds, if desired.

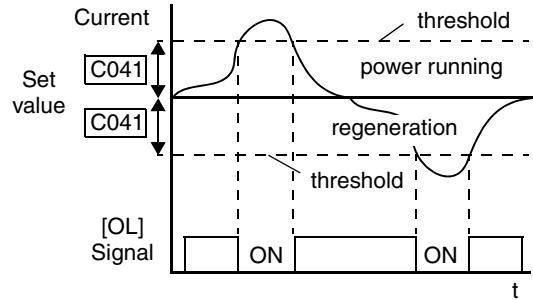


Frequency Arrival outputs [FA3] and [FA5] use the same threshold parameters as [FA2] and [FA4] above, but operate in a slightly different way. Refer to the diagram below. After the frequency arrives at the first threshold during acceleration and turns ON [FA3] or [FA5], they turn OFF again as the output frequency accelerates further. The second thresholds work similarly during deceleration. In this way, we have separate ON/OFF pulses for acceleration and deceleration.



Overload Advance Notice Signal

When the output current exceeds a preset value, the [OL] or [OL2] terminal signal turns ON. The parameter C041 (or C111, respectively) sets the overload threshold. The overload detection circuit operates during powered motor operation and during regenerative braking. The output circuits use open-collector transistors, and are active low.



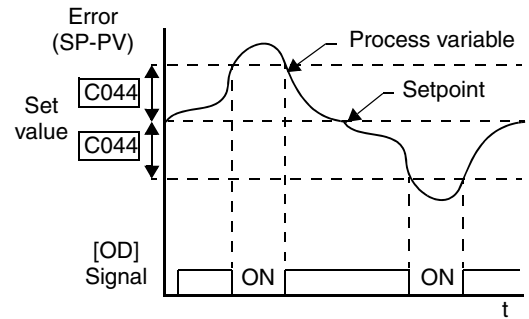
| Opt. Code | Symbol | Function Name | Output State | Description |
|---|--------|------------------------------------|--|---|
| 03 | OL | Overload advance notice signal (1) | ON | when output current is more than the set threshold for the overload signal (C041) |
| | | | OFF | when output current is less than the set threshold for the overload signal (C041) |
| 26 | OL2 | Overload advance notice signal (2) | ON | when output current is more than the set threshold for the overload signal (C111) |
| | | | OFF | when output current is less than the set threshold for the overload signal (C111) |
| Valid for outputs: | | 11, 12, 13, 14, 15, AL0 – AL2 | Example: (Default output configuration shown—see page 3-53.) | |
| Required settings: | | C041, C111 | <div style="border: 1px dashed black; padding: 5px;"> <p style="text-align: center;">Inverter output terminal circuit</p> <p style="text-align: center;">See I/O specs on page 4-9.</p> </div> | |
| <p>Notes:</p> <ul style="list-style-type: none"> • The default value is 100%. To change the level from the default, set C041 or C111(overload level). • The accuracy of this function is the same as the function of the output current monitor on the [FM] terminal (see “Analog Output Operation” on page 4-62). | | | | |



NOTE: The example circuit in the table above drives a relay coil. Note the use of a diode to prevent the negative-going turn-off spike generated by the coil from damaging the inverter’s output transistor.

Output Deviation for PID Control

The PID loop error is defined as the magnitude (absolute value) of the difference between the Setpoint (target value) and the Process Variable (actual value). When the error magnitude exceeds the preset value for C044, the [OD] terminal signal turns ON. Refer to [“PID Loop Operation”](#) on page 4-71.



| Opt. Code | Symbol | Function Name | Output State | Description |
|---------------------------|--------|--|--|--|
| 04 | OD | Output deviation for PID control | ON | when PID error is more than the set threshold for the deviation signal |
| | | | OFF | when PID error is less than the set threshold for the deviation signal |
| Valid for outputs: | | 11, 12, 13, 14, 15, AL0 – AL2 | Example: (Requires output configuration—see page 3-53): | |
| Required settings: | | C044 | <div style="border: 1px dashed black; padding: 5px;"> <p style="text-align: center;">Inverter output terminal circuit</p> </div> | |
| Notes: | | <ul style="list-style-type: none"> The default deviation value is set to 3%. To change this value, change parameter C044 (deviation level). | | |

Operations and Monitoring



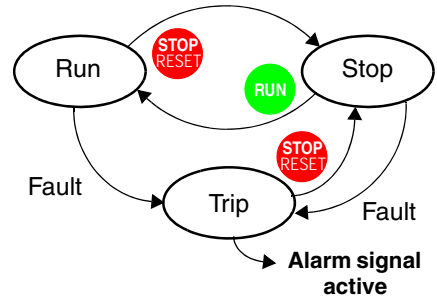
NOTE: The example circuit in the table above drives a relay coil. Note the use of a diode to prevent the negative-going turn-off spike generated by the coil from damaging the inverter’s output transistor.

See I/O specs on page 4-9.

Alarm Signal

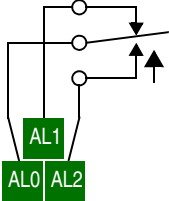
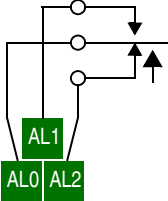
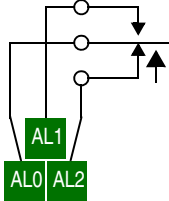
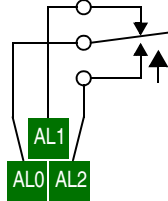
The inverter alarm signal is active when a fault has occurred and it is in the Trip Mode (refer to the diagram at right). When the fault is cleared the alarm signal becomes inactive.

We must make a distinction between the alarm signal AL and the alarm relay contacts [AL0], [AL1] and [AL2]. The signal AL is a logic function, which you can assign to the open collector output terminals [11] to [15], or the relay outputs. The most common (and default) use of the relay is for AL, thus the labeling of its terminals. Use an open collector output (terminals [11] to [15]) for a low-current logic signal interface or to energize a small relay (50 mA maximum). Use the relay output to interface to higher voltage and current devices (10 mA minimum).



| Opt. Code | Symbol | Function Name | Output State | Description |
|--|--------|-------------------------------|---|--|
| 05 | AL | Alarm signal | ON | when an alarm has occurred and has not been cleared |
| | | | OFF | when no alarm has occurred since the last clearing of alarm(s) |
| Valid for outputs: | | 11, 12, 13, 14, 15, AL0 – AL2 | Example for terminals [11] to [15]: (Requires output configuration—see page 3-53.) | |
| Required settings: | | C026, C036 | | |
| Notes: <ul style="list-style-type: none"> • When the alarm output is set to normally closed, a time delay of less than 2 seconds occurs until the contact is closed when the power is turned ON. • Terminals [11] – [15] are open collector outputs, so the electrical specifications of [AL] are different from the contact output terminals [AL0], [AL1], [AL2]. • When the inverter power supply is turned OFF, the alarm signal output is valid as long as the external control circuit has power. • This signal output has the delay time (300ms nominal) from the fault alarm output. • The relay contact specifications are in “Specifications of Control and Logic Connections” on page 4-9. The contact diagrams for different conditions are on the next page. | | | | |
| Example for terminals [AL0], [AL1], [AL2]: (Default output configuration shown—see page 3-53.) <p>See I/O specs on page 4-9.</p> | | | | |

The alarm output terminals operate as shown below (left) by default. The contact logic can be inverted as shown (below right) by using the parameter setting C036. The relay contacts normally open (N.O.) and normally closed (N.O.) convention uses “normal” to mean the inverter has power and is in Run or Stop Mode. The relay contacts switch to the opposite position when it is in Trip Mode or when input power is OFF.

| Contact position after initialization | | | | | Contact position inverted by C036 setting | | | | |
|---|-------|---|---------|---------|--|-------|---|---------|---------|
| During normal running | | When an alarm occurs or power is turned OFF | | | During normal running or power is turned OFF | | When an alarm occurs | | |
|  | |  | | |  | |  | | |
| Contact | Power | Run State | AL0-AL1 | AL0-AL2 | Contact | Power | Run State | AL0-AL1 | AL0-AL2 |
| N.C. (after initialize, C036=01) | ON | Normal | Closed | Open | N.O. (set C036=00) | ON | Normal | Open | Closed |
| | ON | Trip | Open | Closed | | ON | Trip | Closed | Open |
| | OFF | - | Open | Closed | | OFF | - | Open | Closed |

Over-torque Signal

The Over-torque function [OTQ] turns ON when the estimated value of output torque of motor increases more than the arbitrary level set for the output. Recall that the torque limit function, covered in [“Torque Limit” on page 4–37](#), actually limits the torque during certain operating conditions. Instead, the over-torque output feature only monitors the torque, turning ON output [OTQ] if the torque is above programmable thresholds you set. The [OTQ] function is valid only for sensorless vector control, 0-Hz domain sensorless vector control, or vector control with sensor. Do not use the [OTQ] output, except for these inverter operational modes.

| Code | Function/Description | Data or Range |
|--------------|---|---------------|
| C055 | Over-torque, forward-driving level setting | 0 to 200% |
| C056 | Over-torque, reverse-regenerating, level setting | 0 to 200% |
| C057 | Over-torque, reverse-driving, level setting | 0 to 200% |
| C058 | Over-torque, forward-regenerating, level setting | 0 to 200% |
| C021 to C025 | Intelligent output terminal [11] to [15] function | 07 |

The assignment of the Over-torque function to an output terminal [OTQ] is detailed in the following table.

| Opt. Code | Symbol | Function Name | Output State | Description |
|---------------------------|--------|---|--------------|---|
| 07 | OTQ | Over-torque | ON | when estimated torque exceeds the level set in C055 to C058 |
| | | | OFF | when estimated torque is below the levels set in C055 to C058 |
| Valid for outputs: | | 11, 12, 13, 14, 15, AL0 – AL2 | | Example: (Default output configuration shown—see page 3–53 .) |
| Required settings: | | C055, C056, C057, C058 A044 = 03 or 04 or 05 | | |
| Notes: | | <ul style="list-style-type: none"> This output is valid only for sensorless vector control, 0-Hz domain sensorless vector control, or vector control with sensor | | |

See I/O specs on page [4–9](#).

Instantaneous Power Failure / Under-voltage Signal

An instantaneous power failure (complete loss) or under-voltage condition (partial loss) of inverter input voltage can occur without warning. SJ300 Series inverters can be configured to respond to these conditions in different ways. You can select whether the inverter trips or retries (restart attempt) when an instantaneous power failure or under-voltage condition occurs. You can select the retry function with parameter B001.

When enabled, the Retry Function operates in the following ways:

- **Under-voltage conditions** – When an instantaneous power failure or under-voltage condition occurs, the inverter will attempt to restart up to 16 times. A trip condition will occur on the 17th attempt, which must be cleared with the Stop/Reset key.
- **Over-current/voltage conditions** – When retry function is selected and an over-current or an over-voltage condition occurs, a restart is attempted 3 times. A trip will occur on the 4th failed restart attempt. Use parameter B004 to select the trip and alarm response to instantaneous power failure and under-voltage conditions. The following table shows the related parameters to these power fault conditions, and timing diagrams are on the next page.

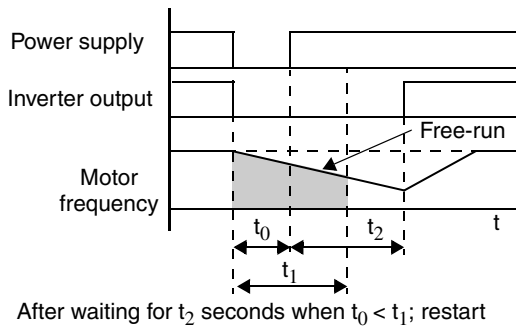
| Code | Function | Data or Range | Description |
|------|---|------------------|---|
| B001 | Selection of automatic restart mode | 00 | Alarm output after trip, automatic restart disabled |
| | | 01 | Restart at 0 Hz |
| | | 02 | Retry with frequency matching to present motor speed |
| | | 03 | Retry with frequency matching followed by deceleration to stop—then trip alarm |
| B002 | Allowable under-voltage power failure time | 0.3 to 1.0 sec. | The amount of time a power input under-voltage can occur without tripping the power failure alarm. If under-voltage exists longer than this time, the inverter trips, even if the restart mode is selected. If it exists less than this time retry will be attempted. |
| B003 | Retry wait time before motor restart | 0.3 to 100 sec. | Time delay after a trip condition goes away before the inverter restarts the motor |
| B004 | Instantaneous power failure / voltage trip alarm enable | 00 | Disable |
| | | 01 | Enable |
| | | 02 | Disable during stop and ramp to stop |
| B005 | Number of restarts on power failure / under-voltage trip events | 00 | Restart up to 16 times on instantaneous power failure or under-voltage |
| | | 01 | Always restart on instantaneous power failure or an under-voltage condition |
| B007 | Restart frequency threshold | 0.00 to 400.0 Hz | When frequency of the motor is less than this value, the inverter will restart at 0 Hz |

| Opt. Code | Symbol | Function Name | Output State | Description |
|---|--------|------------------------------------|--|--|
| 08 | IP | Instantaneous Power Failure | ON | when the inverter detects a loss of input power |
| | | | OFF | when the inverter has input power |
| 09 | UV | Under-voltage condition | ON | when the inverter input power is less than the specified input range |
| | | | OFF | when the inverter input power is within the voltage specification |
| Valid for outputs: | | 11, 12, 13, 14, 15, AL0 – AL2 | Example: (Default output configuration shown—see page 3-53.) | |
| Required settings: | | B001, B002, B003, B004, B005, B007 | | |
| <p>Notes:</p> <ul style="list-style-type: none"> • If an over-voltage or over-current trip occurs during the deceleration and an instantaneous power failure error (E16) is displayed the inverter goes into free-run stop. In this case make the deceleration time longer. • When connecting control power supply terminals [Ro]-[To] to the DC bus [P]-[N], an under-voltage may be detected at power-off and cause a trip. If this is undesirable, set B004 to 00 or 02. • Frequency matching: The inverter reads the motor RPM and direction. If this speed is higher than the matching setting (B007), the inverter waits until they are equal and then engages the output to drive the motor (example 3). If the actual motor speed is less than the restart frequency setting, the inverter waits for t_2 (value in B003) and restarts from 0 Hz (example 4). The display shows “0000” during an actual frequency matching event. | | | | |

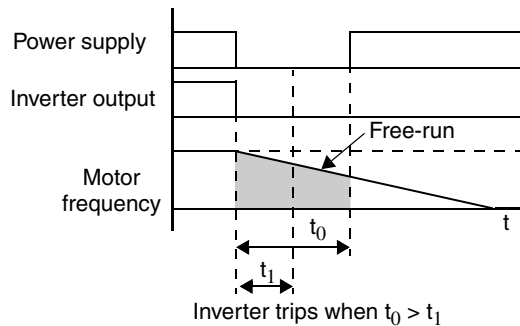
See I/O specs on page 4-9.

In the following examples, t_0 = instantaneous power failure time, t_1 = allowable under-voltage / power failure time (B002), and t_2 = retry wait time (B003).

Example 1: Power failure within allowed limits; resume

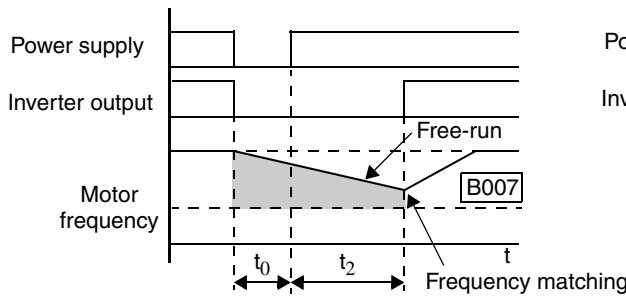


Example 2: Power failure longer than limits; trip



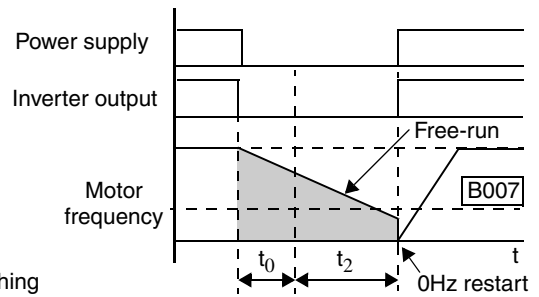
Examples 3 and 4 relate to configuring the inverter to retry upon power failure. Frequency matching is possible if the inverter frequency is greater than the B007 value.

Example 3: Motor resumes via frequency-matching



Motor frequency > B007 value at t_2

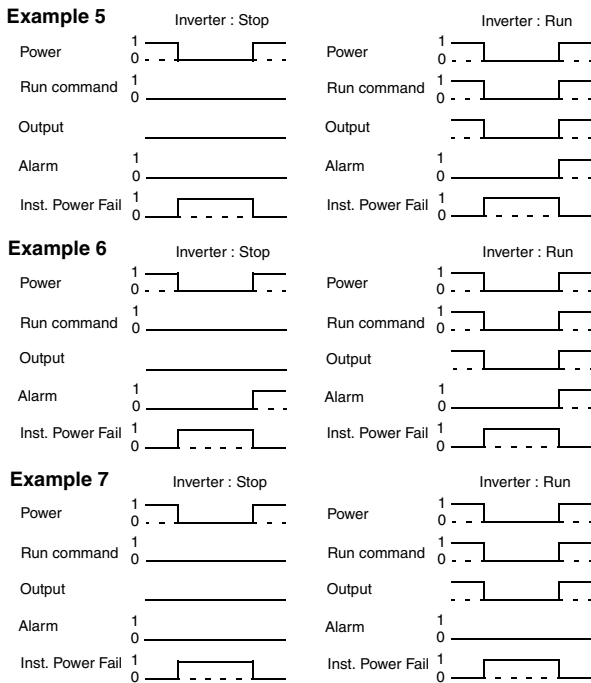
Example 4: Motor restarts from 0Hz



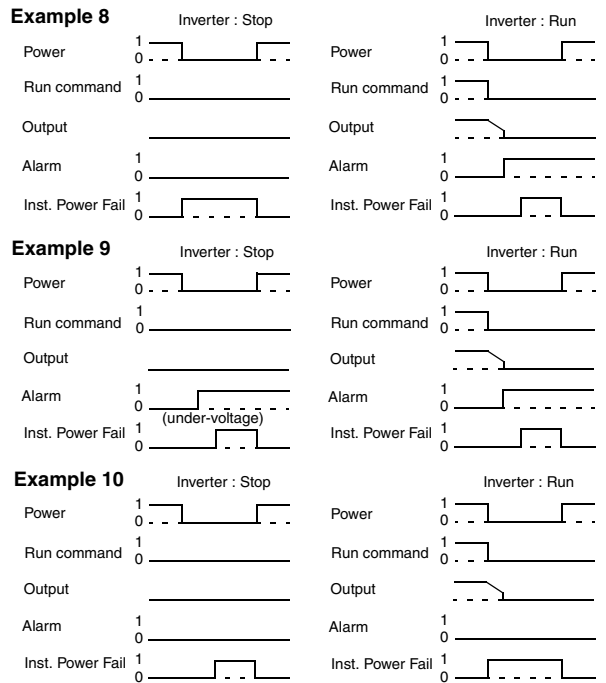
Motor frequency < B007 value at t_2

The Instantaneous Power Failure and Alarm output responses during various power loss conditions are shown in the diagram below. Use B004 to enable/disable the alarm output when instantaneous power failure or under-voltage occurs. The alarm output will continue while the control power of the inverter is present, even if the motor is stopped. Examples 5 to 7 correspond to normal wiring of the inverter's control circuit. Examples 8 to 10 correspond to the wiring of the inverter's control circuit for controlled deceleration after power loss (see [“Optional Controlled Decel and Alarm at Power Loss” on page 4-4](#)).

Instantaneous power failure operation with standard R0-T0 connections

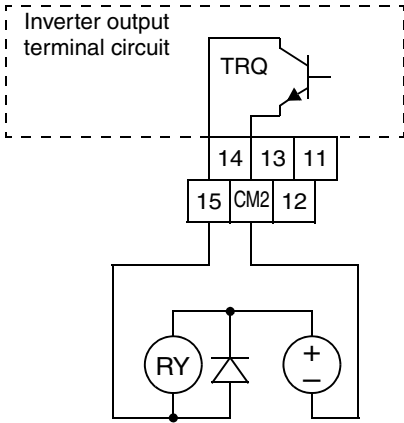


Instantaneous power failure operation with R0-T0 connected to P-N



Torque Limit Signal

The Torque Limit output [TRQ] works in conjunction with the torque limit function covered in the intelligent input section. The torque limit function limits the motor torque according to the criteria selected by parameter B040. When torque limiting occurs, the [TRQ] output turns ON, then going OFF automatically when the output torque falls below the specified limits. See [“Torque Limit” on page 4-37](#) in the intelligent input section.

| Opt. Code | Symbol | Function Name | Output State | Description |
|---|--------|--|---|--|
| 10 | TRQ | Torque Limit | ON | when the inverter is limiting torque |
| | | | OFF | when the inverter is not limiting torque |
| Valid for outputs: | | 11, 12, 13, 14, 15, AL0 – AL2 | Example: (Requires output configuration—see page 3-53 .) | |
| Required settings: | | B040... if B040=00 then B041, B042, B043, B044 are required |  | |
| Notes: | | <ul style="list-style-type: none"> The Torque Limit input [TL] must be ON in order to enable torque limiting and its related output, [TRQ]. | | |
| See I/O specs on page 4-9 . | | | | |

Run Time / Power-On Time Over Signals

SJ300 Series inverters accumulate the total hours in Run Mode (run time) and the total hours of power-ON time. You can set thresholds for these accumulating timers. Once the threshold is exceeded, an output terminal will turn ON. One use of this is for preventative maintenance. A signal light or audible alert could signal the need for servicing, calibration, etc.

| Opt. Code | Symbol | Function Name | Output State | Description |
|-----------|--------|--------------------|--------------|---|
| 11 | RNT | Run Time Over | ON | when the accumulated time spent in Run Mode exceeds the limit (B034) |
| | | | OFF | when the accumulated time in Run Mode is still less than the limit (B034) |
| 12 | ONT | Power-ON Time Over | ON | when the accumulated power-ON time exceeds the limit (B034) |
| | | | OFF | when the accumulated power-ON time is less than the limit (B034) |

| Opt. Code | Symbol | Function Name | Output State | Description |
|---------------------------|--------|---|--------------|---|
| Valid for outputs: | | 11, 12, 13, 14, 15, AL0 – AL2 | | Example: (Requires output configuration—see page 3-53.) |
| Required settings: | | B034 | | <p>Inverter output terminal circuit</p> <p>RNT or ONT</p> <p>See I/O specs on page 4-9.</p> |
| Notes: | | <ul style="list-style-type: none"> The two outputs [RNT] and [ONT] share the same time threshold parameter, B040. Typically, you will use either the [RNT] or the [ONT] output only—not both at once. These outputs are useful for the notification that a preventative maintenance interval has expired. | | |

Thermal Warning Signal

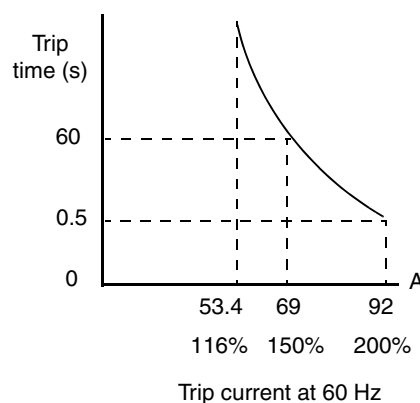
The purpose of the electronic thermal setting is to protect the motor from overloading, overheating and being damaged. The setting is based on the rated motor current. The inverter calculates the thermal rise (heating) of the motor using the current output to the motor squared, integrated over the time spent at those levels. This feature allows the motor to draw excessive current for relatively short periods of time, allowing time for cooling.

The Thermal Warning output [THM] turns ON to provide a warning before the inverter trips for electronic thermal protection. You can set a unique thermal protection level for each of the three motor profiles, as shown in the table below.

| Function Code | Function/Description | Data or Range |
|------------------|---|---|
| B012/B212 / B312 | Electronic thermal setting (calculated within the inverter from current output) | Range is 0.2 * rated current to 1.2 * rated current |

For example, suppose you have inverter model SJ300-110LFE. The rated motor current is 46A. The setting range is (0.2 * 46) to (1.2 * 46), or 9.2A to 55.2A. For a setting of B012=46A (current at 100%), the figure to the right shows the curve.

The electronic thermal characteristic adjusts the way the inverter calculates thermal heating, based on the type of torque control the inverter uses.

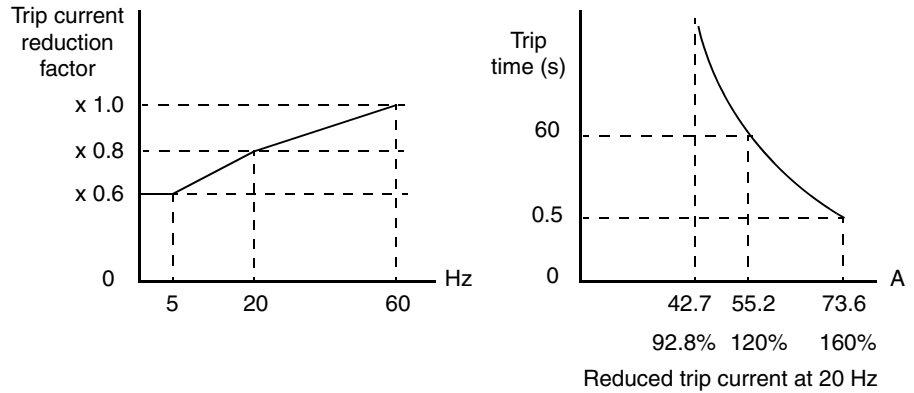


CAUTION: When the motor runs at lower speeds, the cooling effect of the motor's internal fan decreases.

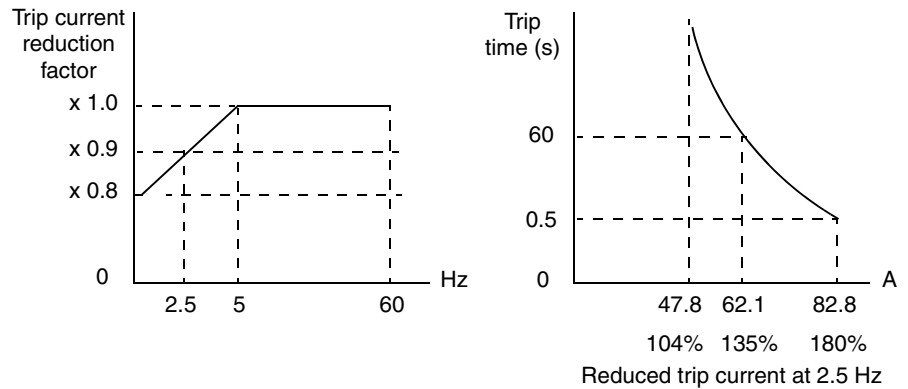
The table below shows the settings and their meanings. Use the one that matches your load.

| Function Code | Data | Function/Description |
|--------------------|------|----------------------|
| B013 / B213 / B313 | 00 | Reduced torque |
| | 01 | Constant torque |
| | 02 | Free-setting |

Reduced Torque Characteristic – The example below shows the effect of the reduced torque characteristic curve (for example motor and current rating). At 20Hz, the output current is reduced by a factor of 0.8 for given trip times.



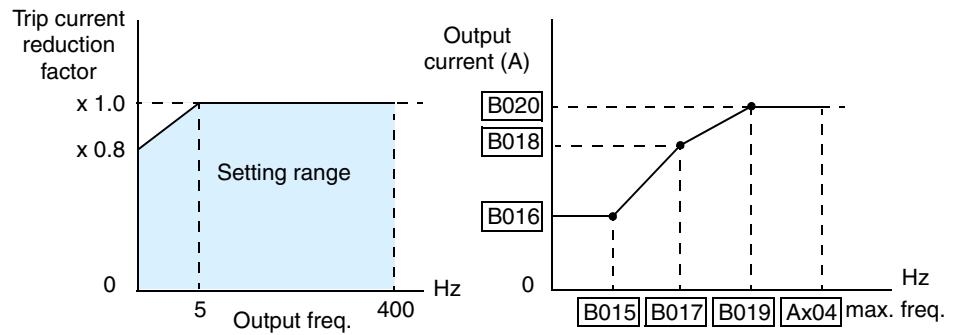
Constant Torque Characteristic – Selecting the constant torque characteristic for the example motor gives the curves below. At 2.5 Hz, the output current is reduced by a factor of 0.9 for given trip times.



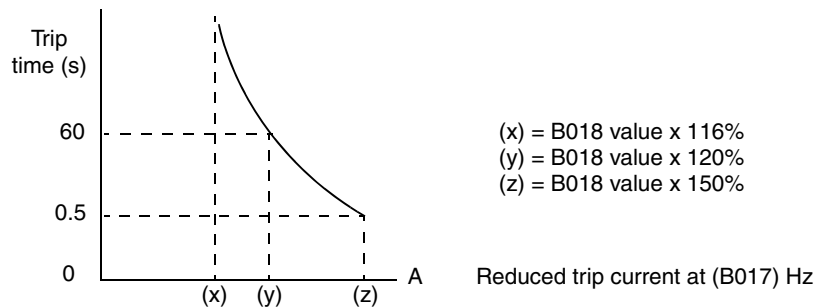
Free Thermal Characteristic - It is possible to set the electronic thermal characteristic using a free-form curve defined by three data points, according to the table below.

| Function Code | Name | Description | Range |
|--------------------|---|--|------------------------------|
| B015 / B017 / B019 | Free-setting electronic thermal frequency 1, 2, 3 | Data point coordinates for Hz axis (horizontal) in the free-form curve | 0 to 400Hz |
| B016 / B018 / B020 | Free setting electronic thermal current 1, 2, 3 | Data point coordinates for Ampere axis (vertical) in the free-form curve | 0.0 = (disable) 0.1 to 1000. |

The left graph below shows the region for possible free-setting curves. The right graph below shows an example curve defined by three data points specified by B015 – B020.



Suppose the electronic thermal setting (B012) is set to 44 Amperes. The graph below shows the effect of the free setting torque characteristic curve. For example, at (B017) Hz, the output current level to cause overheating in a fixed time period is reduced to (B018) A. Points (x), (y), and (z) show the adjusted trip current levels in those conditions for given trip times.

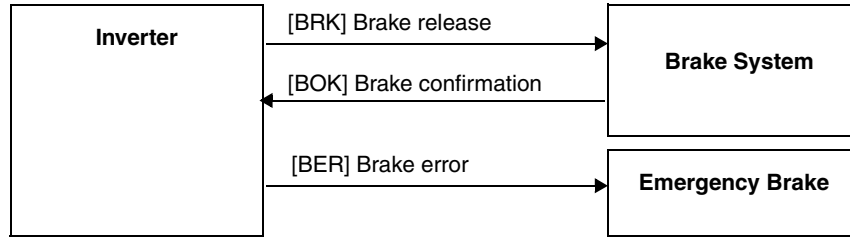


Thermal Warning Output – Using parameter C061, you can set the threshold from 0 to 100% of trip level for turning ON the intelligent output [THM] at that level. In this way, the inverter provides an early warning before the electronic thermal overload trips and turns OFF the output to the motor.

| Opt. Code | Symbol | Function Name | Output State | Description |
|---|--------|-------------------------------|---|--|
| 13 | THM | Thermal Warning | ON | when the electronic thermal calculation exceeds the set limit |
| | | | OFF | when the electronic thermal calculation is less than the set limit |
| Valid for outputs: | | 11, 12, 13, 14, 15, AL0 – AL2 | Example: (Requires output configuration—see page 3-53.) | |
| Required settings: | | C061 | <p>Inverter output terminal circuit</p> <p>See I/O specs on page 4-9.</p> | |
| Notes: <ul style="list-style-type: none"> The electronic thermal overload function uses the output current and time to calculate thermal heating of the motor. The thermistor input of the inverter is a separate function from the electronic thermal function. You can set a threshold for it to cause a trip alarm at a particular thermistor resistance. | | | | |

Brake Control Signals

The Brake Control function enables the inverter to control external braking systems with a particular safety characteristic. A complete discussion of the operation of brake control is in [“External Brake Control Function” on page 4-39](#). The block diagram and table that follow describe the configuration of the outputs [BRK] Brake Release and [BER] Brake Error.



| Opt. Code | Symbol | Function Name | Output State | Description |
|---|--------|--|---|---|
| 19 | BRK | Brake Release | ON | when the inverter signals the external brake system to release (open) its brake |
| | | | OFF | when the inverter is not driving the motor, and needs the external brake engaged |
| 20 | BER | Brake Error | ON | when the output current is less than the set releasing current |
| | | | OFF | when the brake function is not in use, or when the output current to the motor is correct and it is safe to release the brake |
| Valid for outputs: | | 11, 12, 13, 14, 15, AL0 – AL2 | Example: (Requires output configuration—see page 3-53.) | |
| Required settings: | | B120, B121, B122, B123, B124, B125, B126 | <p>See I/O specs on page 4-9.</p> | |
| Notes: <ul style="list-style-type: none"> The brake release logic convention is such that an open circuit fault (such as loose wire) causes the external brake to engage. | | | | |

Expansion Card Output Signals

Other outputs listed below require expansion card SJ-FB Encoder Feedback board. Please see the SJ-FB manual for more information.

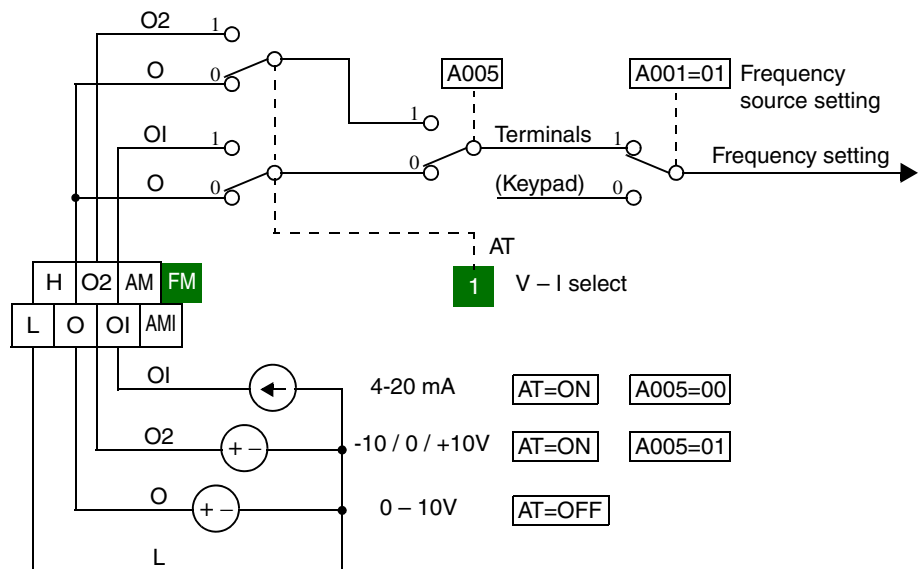
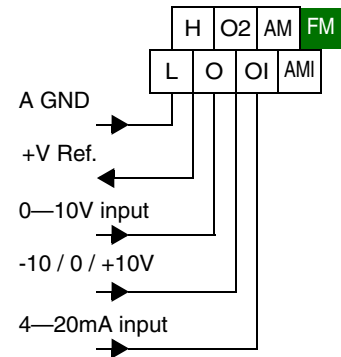
| Opt. Code | Symbol | Function Name | Description |
|-----------|--------|---------------------------|--|
| 21 | ZS | Zero Speed Detect signal | Signal indicates the encoder pulses of the motor have stopped |
| 22 | DSE | Speed Deviation Excessive | Velocity error exceeds the error threshold defined by parameter P026 |
| 23 | POK | Positioning Completion | Indicates the load position is at the target |

Analog Input Operation

Input Terminal Signals

The SJ300 inverters provide for an external analog input to command the inverter frequency output value. The analog input terminal group includes the [L], [OI], [O], [O2], and [H] terminals on the control connector, which provide for Voltage [O] and [O2] or Current [OI] input. All analog input signals must use the analog ground [L].

If you use either the voltage or current analog input, you must select one of them using the logic input terminal function [AT] analog type. If terminal [AT] is OFF, the voltage input [O] can command the inverter output frequency. If terminal [AT] is ON, the current input [OI] can command the inverter output frequency. The [AT] terminal function is covered in [“Analog Input Current/Voltage Select” on page 4-26](#). Remember that you must also set A001 = 01 to select analog input as the frequency source.



Operations and Monitoring

Input Filter

Parameter A016 adjusts an analog input sampling filter that evenly affects all analog inputs shown above. The parameter range is from 1 to 30. Before increasing the filter setting, we recommend trying to find the cause of input analog noise. Check for the following:

- Look for nearby high-current wiring—avoid any parallel runs to the analog signal wires
- Check the impedance between the chassis grounds of the inverter and the analog signal source equipment—a good connection will have a low impedance
- Check the analog signal ground impedance from the inverter to the analog signal source
- Avoid ground loops... measure the current (or voltage drop) on the chassis ground and signal ground connections; the ideal value is zero

After taking steps to minimize the analog signal noise sources, increase the filter time constant (A016) until the motor output frequency (when commanded by analog inputs) becomes stable.

The following tables show the available analog input settings. Parameters A006, A005, and input terminal [AT] determine the External Frequency Command input terminals that are available and how they function. The Trim Frequency input [O2]—[L] is available (when check marked) for some settings. Other settings make the reverse direction (in addition to forward) available for bipolar input settings (when check marked). A bipolar input responds to positive input voltages with a forward motor rotation, and to negative input voltages with reverse motor rotation.

| A006 | A005 | [AT] | External Frequency Command Input | Trim Frequency Command Input | Reverse avail. (bipolar input) |
|----------------|--------------------|------|----------------------------------|------------------------------|--------------------------------|
| 00 OR 03 | 00 | OFF | [O] | ✗ | ✗ |
| | | ON | [OI] | ✗ | ✗ |
| | 01 | OFF | [O] | ✗ | ✗ |
| | | ON | [O2] | ✗ | ✓ |
| 01 | 00 Example 1 | OFF | [O] | [O2] | ✗ |
| | | ON | [OI] | [O2] | ✗ |
| | 01 | OFF | [O] | [O2] | ✗ |
| | | ON | [O2] | ✗ | ✓ |
| 02 | 00 Example 2 | OFF | [O] | [O2] | ✓ |
| | | ON | [OI] | [O2] | ✓ |
| | 01 | OFF | [O] | [O2] | ✓ |
| | | ON | [O2] | ✗ | ✓ |

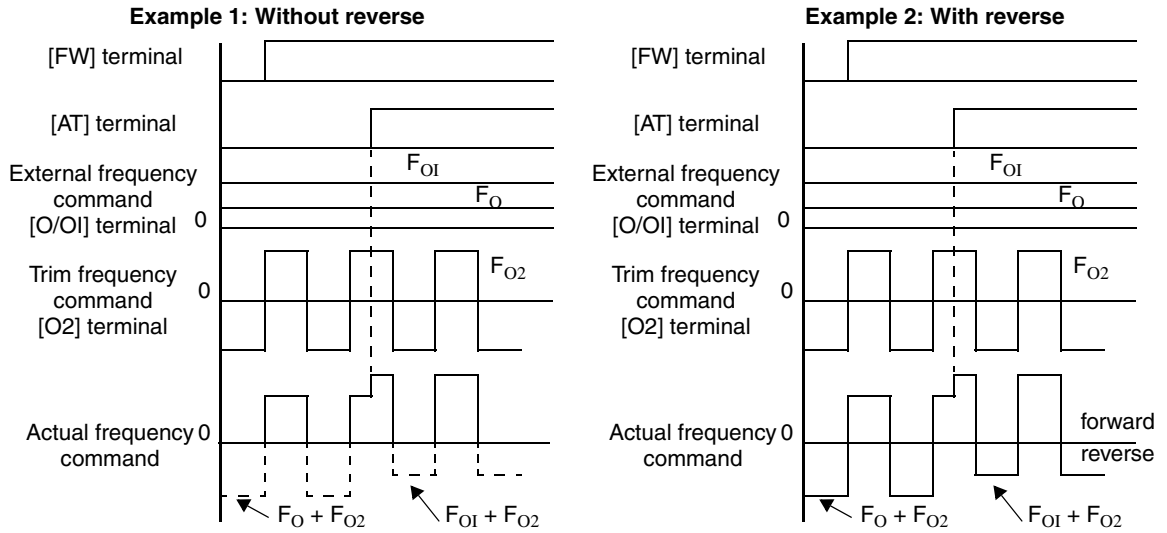
The table below applies when the [AT] input function is not assigned to *any* intelligent input terminal. The A005 setting, normally used in conjunction with an [AT] input, is ignored.

| A006 | A005 | [AT] | External Frequency Command Input | Trim Frequency Command Input | Reverse avail. (bipolar input) |
|------|------|--------------------------------------|----------------------------------|------------------------------|--------------------------------|
| 00 | — | (not assigned to any input terminal) | [O2] | ✗ | ✓ |
| 01 | — | | Summation of [O] and [OI] | [O2] | ✗ |
| 02 | — | | Summation of [O] and [OI] | [O2] | ✓ |
| 03 | — | | Summation of [O] and [OI] | ✗ | ✗ |



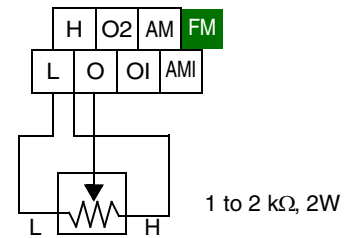
CAUTION: Whenever the [AT] input function is *not* assigned to any input terminal and reverse rotation is not desired or is unsafe, be sure to set A006 = 01. This setting makes the [O2] input unipolar only.

The examples below show how the use of the [AT] input during operation enables/disables the Trim Frequency Command input [O2]—[L]. The [O2]—[L] input may be used alone, or as an offset control for the primary analog input.



Wiring Examples

Using an external potentiometer is a common way to control the inverter output frequency (and a good way to learn how to use the analog inputs). The potentiometer uses the built-in 10V reference [H] and the analog ground [L] for excitation, and the analog ground [L] for excitation, and the voltage input [O] for the signal. By default, the [AT] terminal selects the voltage input when it is OFF. Take care to use the proper resistance for the potentiometer, which is 1 to 2kΩ, 2 Watts.

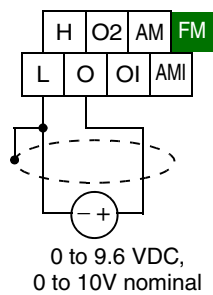


Voltage Input – The 0–10V voltage input circuit uses terminals [L] and [O]. Attach the signal cable’s shield wire to terminal [L] on the inverter only. DO NOT ground the shield at its other end. Maintain the voltage within specifications (do not apply negative voltage). Normally a full-span input level (10V) will give the maximum motor frequency. You can use parameter A014 to select a lower voltage for full output frequency (such as using a 5V input signal).

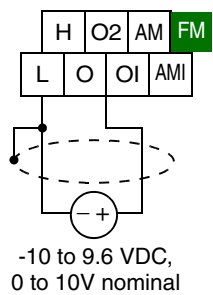
Bipolar Voltage Input – The -10 / 0 / +10V voltage input circuit uses terminals [L] and [O2]. Attach the cable’s shield wire to terminal [L] on the inverter only. Maintain the voltage within specifications. Only apply a negative voltage if this input is configured for bipolar use.

Current Input – The current input circuit uses terminals [OI] and [L]. The current comes from a *sourcing* type transmitter; a *sinking* type will not work! This means the current must flow into terminal [OI], and terminal [L] is the return back to the transmitter. The input impedance from [OI] to [L] is 250 Ohms. Attach the cable’s shield wire to terminal [L] on the inverter only.

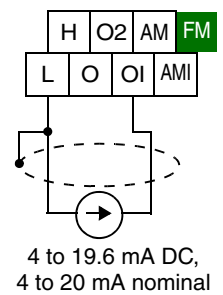
Standard Voltage Input



Bipolar Voltage Input



Current Input



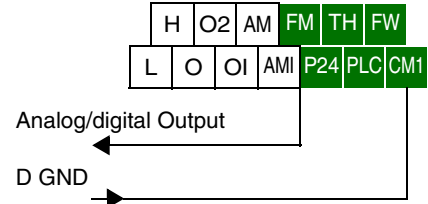
See I/O specs on page 4-9.

Analog Output Operation

In the system design for inverter applications it is sometimes useful to monitor inverter operation from a remote location. In some cases, this requires only a panel-mounted analog meter (moving-coil type). In other cases, a controller device such as a PLC may monitor and command the inverter frequency and other functions. The inverter can transmit the (real-time) output frequency, current, torque, or other parameters to the controller to confirm actual operation. The monitor output terminal [FM] serves these purposes.

[FM] Terminal

The inverter provides an analog/digital output on terminal [FM] (frequency monitor). It uses terminal [CM1] as digital GND reference. While many applications use this terminal to monitor the output frequency, you can configure terminal [FM] to transmit one of several parameters. Most use *pulse-width modulation* (PWM) to represent the value, while one parameter uses *frequency modulation* (FM) to represent the value. Do not confuse the notation for terminal [FM] (with brackets) with FM signal type.



See I/O specs on page 4-9.

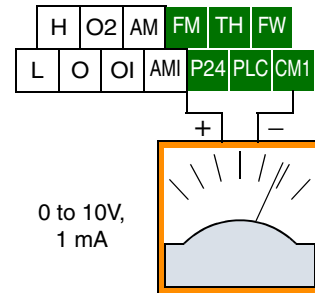
The following table lists the configurations for terminal [FM]. Use function C027 to configure.

| Func. | Code | Description | Waveform | Full Scale Value |
|-------|------|----------------------|----------|-------------------------|
| C027 | 00 | Output frequency | PWM | 0 – Max. frequency (Hz) |
| | 01 | Output current | PWM | 0 – 200% |
| | 02 | Output torque *1 | PWM | 0 – 200% |
| | 03 | Output frequency | FM | 0 – Max. frequency (Hz) |
| | 04 | Output voltage | PWM | 0 – 100% |
| | 05 | Input electric power | PWM | 0 – 200% |
| | 06 | Thermal load ratio | PWM | 0 – 100% |
| | 07 | LAD frequency | PWM | 0 – Max. frequency (Hz) |

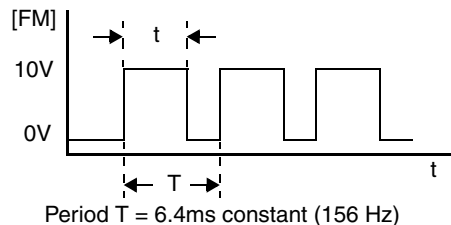
Note 1: Display substitutes only during sensorless vector control, 0Hz domain sensorless vector control, and vector control

PWM Signal Type

The *pulse-width modulated* signal at terminal [FM] is primarily designed for driving a moving-coil meter. The pulse-width modulated signal is automatically averaged by the inertia of the moving-coil mechanism—converting the PWM signal to an analog representation. Be sure to use a 10V full-scale DC voltmeter.



The signal characteristics of terminal [FM] in PWM signal configuration is shown below



$$[FM] \text{ output value} = \frac{t}{T}$$

[B081] = [FM] terminal 8-bit gain setting

C27=00, 01, 02, 04, 05, 06, 07

Selects FM type output

To calibrate the meter reading, generate a full-scale output (always ON) at terminal [FM]. Then use parameter B081(gain setting from 0 to 255) to adjust the corresponding full-scale reading of the meter. For example, when the inverter output frequency is 60 Hz, change the value of B081 so that the meter reads 60 Hz.

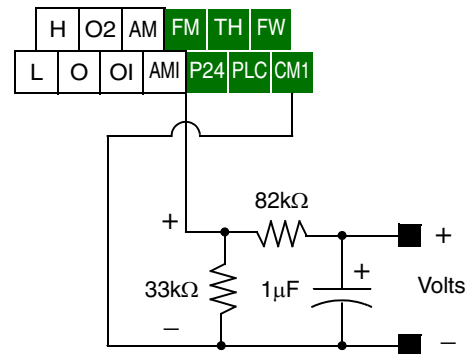


TIP: When using the analog meter for monitoring, adjust the meter so it has a zero reading when the [FM] output is zero. Then use scale factor B081 to adjust the [FM] output so the maximum frequency in the inverter corresponds to a full-scale reading on the meter.



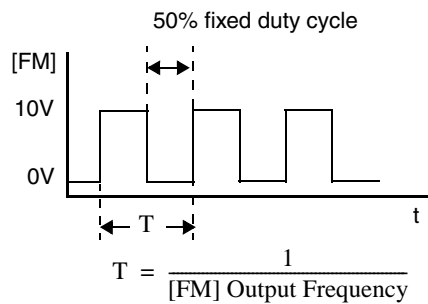
NOTE: The indicator accuracy after adjustment is about ±5%. Depending on the motor, the accuracy may exceed this value.

PWM Smoothing Circuit – Note that standard analog output signals are available on terminals [AM] and [AMI], covered in the next section. However, you may also wish to smooth the PWM signal at the [FM] terminal and convert it to an analog signal. The [FM] terminal will then generate a relatively stable DC analog voltage that represents the output value. To do this, use the circuit shown to the right. Note the output impedance of the circuit is at least 82kΩ, so the monitoring device needs an input impedance of 1MΩ or greater. Otherwise, the impedance of the smoothing circuit will cause a non-linearity in the reading.



FM Signal Type

The *frequency-modulated* output at terminal [FM] varies its frequency with the inverter output frequency (when C027=03). The signal at [FM] uses the parameter A004 *Maximum frequency setting*. For example, if A004 = 60 Hz, then the maximum signal value at [FM] will be at 60 Hz. This frequency is digitally controlled for accuracy, and does not use the B081 gain setting when C027=03 (frequency modulation).



$$[FM] \text{ Output Frequency} = \frac{1}{T}$$

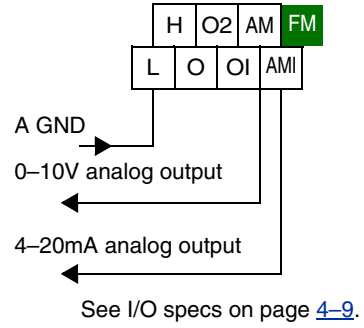
C027=03 Selects FM type output

[AM] and [AMI] Terminals

The [AM] and [AMI] terminals provide signals to monitor various inverter parameters such as output frequency, output current, and torque. The terminals provide these analog signal types:

- [AM] terminal: 0–10V analog output signal
- [AMI] terminal: 4–20mA analog output signal

These signals both use the [L] terminal for signal return. Eight different inverter parameters may be monitored independently at either the [AM] or [AMI] terminal, as listed in the table below. Use C028 to configure terminal [AM], and C029 to configure terminal [AMI].



| Func. | Terminal | Code | Description | Full Scale Value |
|-------------|--------------|------|----------------------|-------------------------|
| C028 / C029 | [AM] / [AMI] | 00 | Output frequency | 0 – Max. frequency (Hz) |
| | | 01 | Output current | 0 – 200% |
| | | 02 | Output torque *1 | 0 – 200% |
| | | 04 | Output voltage | 0 – 100% |
| | | 05 | Input electric power | 0 – 200% |
| | | 06 | Thermal load ratio | 0 – 100% |
| | | 07 | LAD frequency | 0 – Max. frequency (Hz) |

Note 1: Display of torque is possible only during sensorless vector control, 0Hz domain sensorless vector control, and vector control with feedback

The analog signals may need some adjustment for gain or offset to compensate for variances in the system. For example, the signals may drive a panel meter and require a full-scale gain adjustment. The table below lists the function codes and their descriptions. The [AM] and [AMI] terminals have separate gain and offset adjustments. Note the default values.

| Func. | Terminal | Description | Range | Default |
|-------|----------|-------------------|--------------|---------|
| B080 | [AM] | Gain adjustment | 0 – 255 | 180 |
| C086 | [AM] | Offset Adjustment | 0.0 – 10.0V | 0.0V |
| C087 | [AMI] | Gain adjustment | 0 – 255 | 80 |
| C088 | [AMI] | Offset Adjustment | 0.0 – 20.0mA | 0.0mA |

Setting Motor Constants for Vector Control

Introduction

These advanced torque control algorithms improve performance, particularly at low speeds:

- **Sensorless Vector Control** – improved torque control at output frequencies down to 0.5 Hz. Use A044=03 (1st motor) or A244=03 (2nd motor) to select sensorless vector control.
- **Sensorless Vector Control, 0Hz Domain** – improved torque control at output frequencies from 0 to 2.5 Hz. Use A044=04 (1st motor) or A244=04 (2nd motor) to select sensorless vector control, 0Hz domain.
- **Vector Control with Feedback** – improved torque control at all speeds, while providing the most accurate speed regulation of all torque control algorithms. Use A044=05 to select vector control with feedback.

These three control algorithms require the inverter's motor constants to accurately match the characteristics of the particular motor connected to your inverter. Simply using the inverter's default parameters with the vector control modes may not produce satisfactory results. The auto-tuning procedure described later in this section is recommended for most applications needing vector control. It determines and records the characteristics of the attached motor. However, it is possible to enter the motor constants directly if the motor manufacturer has provided that data.

After performing an initial auto-tuning procedure for your motor, you have an additional option: adaptive tuning. The adaptive tuning parameters use the auto-tuning procedure's results as starting values. Then, each time the motor runs normally in your application, the inverter tunes the parameters again to match the motor. This compensates for temperature changes, etc., further optimizing the values.

The following table lists the parameters associated with motor constant settings. Function H002 selects the set of motor constants that you want the inverter to use in normal use. Standard constants (select with H002=00) include H020 to H024. Auto-tuned constants (select with H002=01) include H030 to H034. Remember that you have to do the auto-tuning procedure in this section before using either auto-tuned constants or the adaptive mode (H002=02).

| Func. | Name | Data | Notes |
|--------------------------|---|------------------------|--|
| A044 / A244 / A344 | V/f characteristic curve selection, 1st / 2nd / 3rd motors | 00 | V/f constant torque |
| | | 01 | V/f variable torque |
| | | 02 | V/f free-setting curve |
| | | 03 | Sensorless vector control (SLV) |
| | | 04 | Sensorless vector control, 0Hz domain |
| | | 05 | Vector control with encoder feedback |
| H002 | Motor data selection, 1st motor | 00 | Standard motor parameters |
| | | 01 | Auto-tuning parameters |
| | | 02 | Adaptive tuning parameters |
| H003 | Motor capacity, 1st motor | 0.2 – 75, 0.2 – 160 | kW, up to –550xxx models kW, –750xxx to –1500xxx models |
| H004 | Motor poles setting, 1st motor | 2 / 4 / 6 / 8 | Units: poles |
| H020 | Motor constant R1, 1st motor | 0.000–65.53 | Units: ohms |
| H021 | Motor constant R2, 1st motor | 0.000–65.53 | Units: ohms |
| H022 | Motor constant L, 1st motor | 0.00–655.3 | Units: mH |
| H023 | Motor constant I _o , 1st motor | 0.00–655.3 | Units: A |
| H024 | Motor constant J, 1st motor | 0.001–9999 | Units: kgm ² |
| H030 | Auto-tuned constant R1, 1st motor | 0.000–65.53 | Units: ohms |

| Func. | Name | Data | Notes |
|-------|--|-------------|-------------------------|
| H031 | Auto-tuned constant R2, 1st motor | 0.000–65.53 | Units: ohms |
| H032 | Auto-tuned constant L, 1st motor | 0.00–655.3 | Units: mH |
| H033 | Auto-tuned constant I _o , 1st motor | 0.00–655.3 | Units: A |
| H034 | Auto-tuned constant J, 1st motor | 0.001–9999 | Units: kgm ² |

The inverter has three separate motor constant sets named *1st*, *2nd*, and *3rd*. The 1st motor constant set is the default, while the SET and SET2 intelligent inputs select the 2nd and 3rd constant sets, respectively. The torque control methods are valid to use only if a particular motor constant set includes parameters for the selected control method. The following table lists the vector control methods and shows the ones that are valid for each motor constant set.:

| Vector Control Method | 1st motor | 2nd motor | 3rd motor |
|---------------------------------------|-----------|-----------|-----------|
| V/f constant torque | ✓ | ✓ | ✓ |
| V/f variable torque | ✓ | ✓ | ✓ |
| V/f free-setting curve | ✓ | ✓ | ✗ |
| Sensorless vector control (SLV) | ✓ | ✓ | ✗ |
| Sensorless vector control, 0Hz domain | ✓ | ✓ | ✗ |
| Vector control with encoder feedback | ✓ | ✗ | ✗ |

The motor data selection is available only to the 1st motor constant set, selected by function H004. By default, the 2nd and 3rd motor constants sets only store standard motor parameters. The table below shows this arrangement.

| Motor data selection | 1st motor | 2nd motor | 3rd motor |
|----------------------------|-----------|-----------|-----------|
| Standard motor parameters | ✓ | ✓ | ✓ |
| Auto-tuning parameters | ✓ | ✗ | ✗ |
| Adaptive tuning parameters | ✓ | ✗ | ✗ |

When motor constant values are available from the motor manufacturer, you can enter them directly. The available motor constant parameters (storage locations) depend on the motor constant set (1st, 2nd, or 3rd) according to the following table.

| Motor data selection | 1st motor | 2nd motor | 3rd motor |
|----------------------------|--------------|--------------|-----------|
| Standard motor parameters | H020 to H024 | H220 to H224 | — |
| Auto-tuning parameters | H030 to H034 | — | — |
| Adaptive tuning parameters | H030 to H034 | — | — |

Auto-tuning of Motor Constants

The SJ300 inverter features auto-tuning, which detects and records the motor characteristic parameters to use in all vector control modes. Auto-tuning determines the resistance and inductance of motor windings. Therefore, the motor must be connected to the inverter for this procedure. Note that the auto-tuning feature is not associated with PID loop operation, which is common on some control devices. The auto-tuning procedure must be conducted while the inverter is stopped (not in Run mode), so it can use special output pulses to detect motor characteristics.

When using the inverter in sensorless vector control, sensorless vector control - 0Hz domain, or vector control with encoder feedback, the motor circuit constants are important. If they are unknown, then you must first conduct the auto-tuning procedure. The inverter will determine the constants and write new values for the related "H" Group settings. The auto-tuning procedure requires that the inverter be configured to operate the 1st motor (do not set the inverter to use 2nd and 3rd motor data during an auto-tuning procedure).

| Func. | Name | Range | Notes |
|-------|--|-----------------------------|---|
| H001 | Auto-tuning setting | 00 | Disabled |
| | | 01 | Enabled, without motor rotation |
| | | 02 | Enabled, with motor rotation |
| H002 | Motor data selection, 1st motor | 00 | Standard motor parameters |
| | | 01 | Auto-tuning parameters |
| | | 02 | Adaptive tuning parameters |
| H003 | Motor capacity, 1st motor | 0.2 – 75, 0.2 – 160 | kW, up to –550xxx models kW, –750xxx to –1500xxx models |
| H004 | Motor poles setting, 1st motor | 2 / 4 / 6 / 8 | Units: poles |
| H030 | Auto-tuned motor constant R1, 1st motor | — | Units: ohms |
| H031 | Auto-tuned motor constant R2, 1st motor | — | Units: ohms |
| H032 | Auto-tuned motor constant L, 1st motor | — | Units: mH |
| H033 | Auto-tuned motor constant I _o , 1st motor | — | Units: A |
| H034 | Auto-tuned motor constant J, 1st motor | — | Units: kgm ² |
| A003 | Base frequency setting | 30 to maximum freq. | Units: Hz |
| A051 | DC braking enable | 00 | Disabled (Disable during auto-tuning) |
| | | 01 | Enabled |
| A082 | AVR voltage select | 200/215/220/230/240 | Valid for 200V class inverters |
| | | 380/400/415/440/ 460/480 | Valid for 400V class inverters |

Please read the following Warning before running the auto-tuning procedure on the next page.



WARNING: You may need to disconnect the load from the motor before performing auto-tuning. The inverter runs the motor forward and backward for several seconds without regard to load movement limits.

Preparation for Auto-tuning Procedure – Be sure to study the preparation items and verify the related inverter configuration before going further in this procedure.

1. Adjust the motor base frequency (A003) and the motor voltage selection (A082) to match the specifications of the motor used in the auto-tuning procedure.
2. Verify that the motor is not more than one frame size smaller than the rated size for the inverter. Otherwise, the motor characteristic measurements may be inaccurate.
3. Be sure that no outside force will drive the motor during auto-tuning.
4. If DC braking is enabled (A051=01), the motor constants will not be accurately set. Therefore, disable DC braking (A051=00) before starting the auto-tuning procedure.
5. When auto-tuning with motor rotation (H001=02), take care to verify the following points:
 - a. The motor will rotate up to 80% of the base frequency; make sure that this will not cause any problem.
 - b. Do not attempt to either run or stop the motor during the auto-tuning procedure unless it is an emergency. If this occurs, initialize the inverter's parameters to the factory default settings (see [“Restoring Factory Default Settings” on page 6-9](#)). Then reprogram the parameters unique to your application, and initiate the auto-tuning procedure again.
 - c. Release any mechanical brake that would interfere with the motor rotating freely.
 - d. Disconnect any mechanical load from the motor. The torque during auto-tuning is not enough to move some loads.
 - e. If the motor is part of a mechanism with limited travel (such as lead screw or elevator), select H001=01 so that the auto-tuning will not cause motor rotation.
6. Note that even when you select H001=01 for no rotation, sometimes the motor will rotate.
7. When using a motor that is one frame size smaller than the inverter rating, enable the overload restriction function. Then set the overload restriction level to 1.5 times the rated output current of the motor.

After the preparations above are complete, perform the auto-tuning procedure by following the steps below.

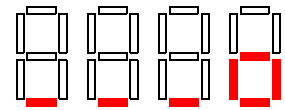
1. Set H001=01 (auto-tuning *without* motor rotation) or H001=02 (auto-tuning *with* motor rotation).
2. Turn the Run command ON. The inverter will then automatically sequence through the following actions:
 - a. First AC excitation (motor does not rotate)
 - b. Second AC excitation (motor does not rotate)
 - c. First DC excitation (motor does not rotate)
 - d. V/F running—this step occurs only if H001=02 (motor accelerates up to 80% of the base frequency)
 - e. SLV running—this step occurs only if H001=02 (motor accelerates up to x% of the base frequency), where “x” varies with time T during this step:
 - $x=40\%$ when $T < 50s$
 - $x=20\%$ when $50s < T < 100s$
 - $x=10\%$ when $T \geq 100s$
 - f. Second DC excitation
 - g. Displays the pass/fail result of the auto-tuning (see next page)



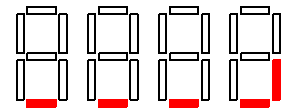
NOTE: During the AC and DC motor excitation steps above, you may notice that the motor makes a slight humming sound. This sound is normal.

Auto-tuning Procedure

If the auto-tuning procedure is successful, the inverter updates the motor characteristic parameters and indicates *normal termination* of the procedure as shown. Pressing any key on the keypad will clear the result from the display.



Normal termination



Abnormal termination

- **Trip during auto-tuning** – A trip event will cause the auto-tuning sequence to quit. The display will show the error code for the trip rather than the abnormal termination indication. After eliminating the cause of the trip, then conduct the auto-tuning procedure again.
- **Power loss or stop during auto-tuning** – If the auto-tuning procedure is interrupted by power loss, the Stop key, or by turning OFF the Run command, the auto-tuning constants may or may not be stored in the inverter. It will be necessary to restore the inverter's factory default settings (see "[Restoring Factory Default Settings](#)" on page 6-9). After initializing the inverter, then perform the auto-tuning procedure again.
- **Free V/F setting** – The auto-tuning procedure will have an abnormal termination if the control mode of the inverter is set for free V/F setting.

Adaptive Auto-tuning of Motor Constants

The adaptive auto-tuning feature refines the motor constants by checking the motor characteristic while it is in the normal running temperature range.

Preparation for Adaptive Auto-tuning – Be sure to study the preparation items and verify the related inverter configuration before going further in this procedure.

1. It is necessary to first perform the auto-tuning procedure in the section above, since adaptive auto-tuning requires accurate initial constant values.
2. Adaptive auto-tuning is valid only for the 1st motor data (do not use 2nd or 3rd motor data settings).
3. The adaptive auto-tuning sequence actually begins as the motor decelerates to a stop from a Run command you initiate. However, the sequence still continues for five (5) more seconds. Giving another Run command during this 5-second time period will halt the adaptive auto-tuning. It will resume the next time the motor runs and decelerates to a stop.
4. If DC braking is enabled, then the adaptive auto-tuning sequence executes after DC braking brings the motor to a stop.

After reading and following the preparation steps above, then configure the inverter for adaptive auto-tuning by following these steps:

1. Set H002=02 for adaptive auto-tuning procedure
2. Set H001=00 to disable the (manual) auto-tuning procedure
3. Turn the Run command ON.
4. Run the motor for an appropriate time until it reaches its normal operating temperature range. Remember that the purpose of adaptive auto-tuning is to optimize the inverter for typical running conditions.
5. Stop the motor (or turn the Run command OFF), which initiates an adaptive auto-tuning. Wait at least five (5) seconds before issuing any other command to the inverter.

With the above configuration, the inverter automatically runs the adaptive auto-tuning sequence each time the motor runs and decelerates to a stop. This continuously adapts the SLV control algorithm to slight changes in the motor constants during operation.



NOTE: It is not necessary to wait 5 seconds after each time the motor runs before running again. When the motor stops for less than 5 seconds before running again, the inverter stops the adaptive tuning sequence and keeps the current motor constant values in memory. The inverter will attempt the adaptive auto-tuning at the next run/stop event of the motor.

Manual Setting of Motor Constants

With vector control, the inverter uses the output current, output voltage, and motor constants to estimate the motor torque and speed. It is possible to achieve a high starting torque and accurate speed control at low frequency

- **Sensorless Vector Control** – improved torque control at output frequencies down to 0.5 Hz. Use A044=03 (1st motor) or A244=03 (2nd motor) to select sensorless vector control.
- **Sensorless Vector Control, 0Hz Domain** – improved torque control at output frequencies from 0 to 2.5 Hz. Use A044=04 (1st motor) or A244=04 (2nd motor). For this vector control method, we recommend using a motor that is one frame size smaller than the inverter size.
- **Sensorless Vector Control with Feedback** – improved torque control at all speeds, while providing the most accurate speed regulation

If you do use any vector control methods, it is important that the motor constants stored in the inverter match the motor. We recommend first using the auto-tuning procedure in the previous section. If satisfactory performance through auto-tuning cannot be fully obtained, please adjust the motor constants for the observed symptoms according to the table below.



CAUTION: If the inverter capacity is more than twice the capacity of the motor in use, the inverter may not achieve its full performance specifications.

| Operation Status | Symptom | Adjustment | Parameter |
|--|--|--|--------------------|
| Powered running | When the speed deviation is negative | Slowly increase the motor constant R2 in relation to auto-tuning data, within 1 to 1.2 times preset R2 | H021 / H221 |
| | When the speed deviation is positive | Slowly decrease the motor constant R2 in relation to auto-tuning data, within 0.8 to 1 times preset R2 | H021 / H221 |
| Regeneration (status with a decelerating torque) | When low frequency (a few Hz) torque is insufficient | Slowly increase the motor speed constant R1 in relation to auto-tuning data within 1 to 1.2 times R1 | H020 / H220 |
| | | Slowly increase the motor constant IO in relation to auto-tuning data, within 1 to 1.2 times preset IO | H023 / H223 |
| During acceleration | A sudden jerk at start of rotation | Increase motor constant J slowly within 1 to 1.2 times the preset constant | H024 / H224 |
| During deceleration | Unstable motor rotation | Decrease the speed response | H05, H205 |
| | | Set motor constant J smaller than the preset constant | H024, H224 |
| During torque limiting | Insufficient torque during torque limit at low speed | Set the overload restriction level lower than the torque limit level | B021, B041 to B044 |
| At low-frequency operation | Irregular rotation | Set motor constant J larger than the preset constant | H024, H244 |

When using a motor one frame size smaller than the inverter rating, the torque limit value (B041 to B044) is from the following formula and the value of the actual motor torque limit is calculated by the formula. Do not set a value in B041 to B044 that results in an actual torque greater than 200% or you risk motor failure.

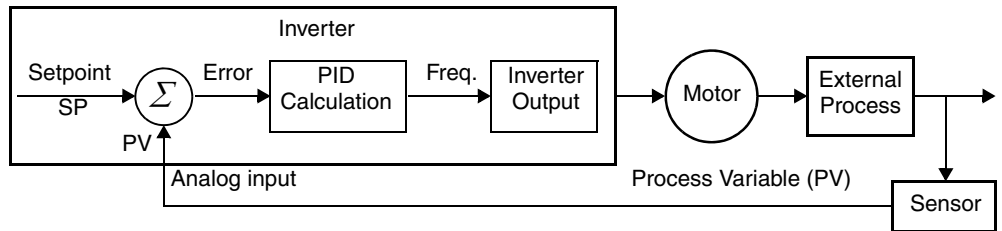
For example, suppose you have a 0.75kW inverter and a 0.4kW motor. The torque limit setting value that is for T=200% is set (entered) as 106%, shown by the following formula:

$$\text{Torque limit setting} = \frac{\text{Actual torque limit} \times \text{Motor capacity}}{\text{Inverter capacity}} = \frac{200\% \times 0.4\text{kW}}{0.75\text{kW}} = 106\%$$

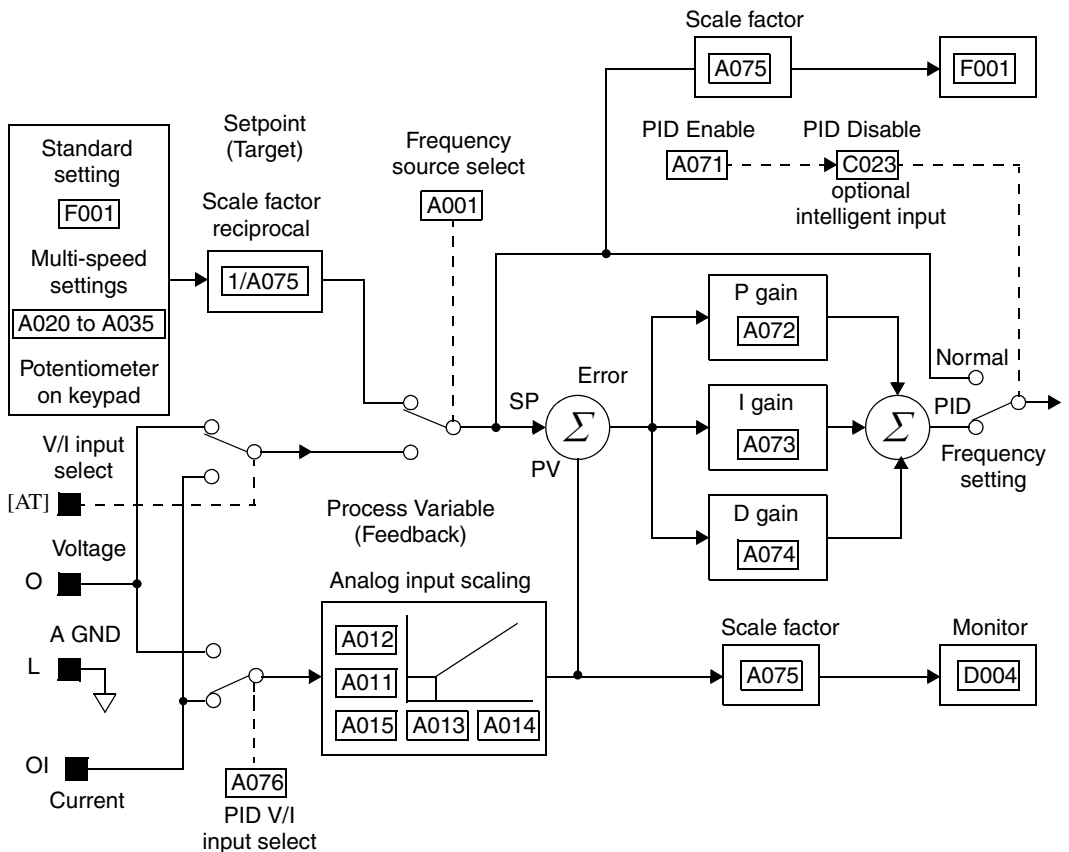
PID Loop Operation

In standard operation, the inverter uses a reference source selected by parameter A001 for the output frequency, which may be a fixed value (F001), a variable set by the front panel potentiometer, or value from an analog input (voltage or current). To enable PID operation, set A071 = 01. This causes the inverter to *calculate* the target frequency, or setpoint. An optional intelligent input assignment (code 23), PID Disable, will temporarily disable PID operation when active.

A calculated target frequency can have a lot of advantages. It lets the inverter adjust the motor speed to optimize some other process variable of interest, potentially saving energy as well. Refer to the figure below. The motor acts upon the external process. To control that external process, the inverter must monitor the process variable. This requires wiring a sensor to either the analog input terminal [O] (voltage) or terminal [OI] (current).



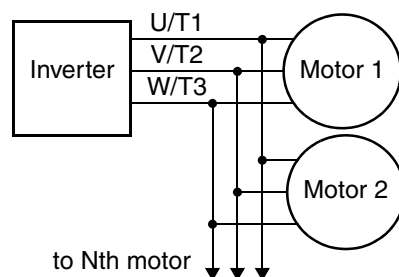
When enabled, the PID loop calculates the ideal output frequency to minimize the loop error. This means we no longer command the inverter to run at a particular frequency, but we specify the ideal value for the process variable. That ideal value is called the *setpoint*, and is specified in the units of the external process variable. For a pump application it may be gallons/minute, or it could be air velocity or temperature for an HVAC unit. Parameter A075 is a scale factor that relates the external process variable units to motor frequency. The figure below is a more detailed diagram of the PID function.



Configuring the Inverter for Multiple Motors

Simultaneous Connections

For some applications, you may need to connect two or more motors (wired in parallel) to a single inverter's output. For example, this is common in conveyor applications where two separate conveyors need to have approximately the same speed. The use of two motors may be less expensive than making the mechanical link for one motor to drive multiple conveyors.



Some of the requirements when using multiple motors with one drive are:

- Use only V/F (variable-frequency) control; do not use SLV (sensorless vector control).
- The inverter output must be rated to handle the sum of the currents from the motors.
- You must use separate thermal protection switches or devices to protect each motor. Locate the device for each motor inside the motor housing or as close to it as possible.
- The wiring for the motors must be permanently connected in parallel (do not remove one motor from the circuit during operation).



NOTE: The motor speeds are identical only in theory. That is because slight differences in their loads will cause one motor to slip a little more than another, even if the motors are identical. Therefore, do not use this technique for multi-axis machinery that must maintain a fixed position reference between its axes.

Inverter Configuration for Multiple Motor Types

Some equipment manufacturers may have a single type of machine that has to support three different motor types—and only one motor will be connected at a time. For example, an OEM may sell basically the same machine to the US market and the European market. Some reasons why the OEM needs two motor profiles are:

- The inverter power input voltage is different for these markets.
- The required motor type is also different for each destination.

In other cases, the inverter needs two profiles because the machine characteristics vary according to these situations:

- Sometimes the motor load is very light and can move fast. Other times the motor load is heavy and must move slower. Using two profiles allows the motor speed, acceleration and deceleration to be optimal for the load and avoid inverter trip (fault) events.
- Sometimes the slower version of the machine does not have special braking options, but a higher performance version does have braking features.

Having multiple motor profiles lets you store several “personalities” for motors in one inverter's memory. The inverter allows the final selection between the three motor types to be made in the field through the use of intelligent input terminal functions [SET] and [SET3]. This provides an extra level of flexibility needed in particular situations. See the following page.

Parameters for the second motor and third motors have function codes of the form x2xx and x3xx respectively. They appear immediately after the first motor's parameter in the menu listing order. The following table lists the parameters that have the second/third parameter registers for programming.

| Function Name | Parameter Codes | | |
|--|-----------------|-----------|-----------|
| | 1st motor | 2nd motor | 3rd motor |
| Multi-speed frequency setting | A020 | A220 | A320 |
| Acceleration time setting (Acceleration 1) | F002 | F202 | F302 |
| Deceleration time setting (Deceleration 1) | F003 | F203 | F303 |
| Second acceleration time setting (Acceleration 2) | A092 | A292 | A392 |
| Second deceleration time setting (Deceleration 2) | A093 | A293 | A393 |
| Select method to use 2nd acceleration/deceleration | A094 | A294 | — |
| Acc1 to Acc2 frequency transition point | A095 | A295 | — |
| Dec1 to Dec2 frequency transition point | A096 | A296 | — |
| Level of electronic thermal setting | B012 | B212 | B312 |
| Select electronic thermal characteristic | B013 | B213 | B313 |
| Torque boost method selection | A041 | A241 | — |
| Manual torque boost value | A042 | A242 | — |
| Manual torque boost frequency adjustment | A043 | A243 | A343 |
| V/F characteristic curve selection | A044 | A244 | A344 |
| Base frequency setting | A003 | A203 | A303 |
| Maximum frequency setting | A004 | A204 | A304 |
| Select motor constant | H002 | H202 | — |
| Motor capacity setting | H003 | H203 | — |
| Motor poles setting | H004 | H204 | — |
| Motor constant R1 setting (Standard, Auto tuning) | H020/H030 | H220/H230 | — |
| Motor constant R2 setting (Standard, Auto tuning) | H021/H031 | H221/H231 | — |
| Motor constant L setting (Standard, Auto tuning) | H022/H032 | H222/H232 | — |
| Motor constant Io setting (Standard, Auto tuning) | H023/H033 | H223/H233 | — |
| Motor constant J setting (Standard, Auto tuning) | H024/H034 | H224/H234 | — |
| Motor constant Kp setting (Standard, Auto tuning) | H005 | H205 | — |
| Motor stabilization constant | H006 | H206 | — |



Inverter System Accessories



5

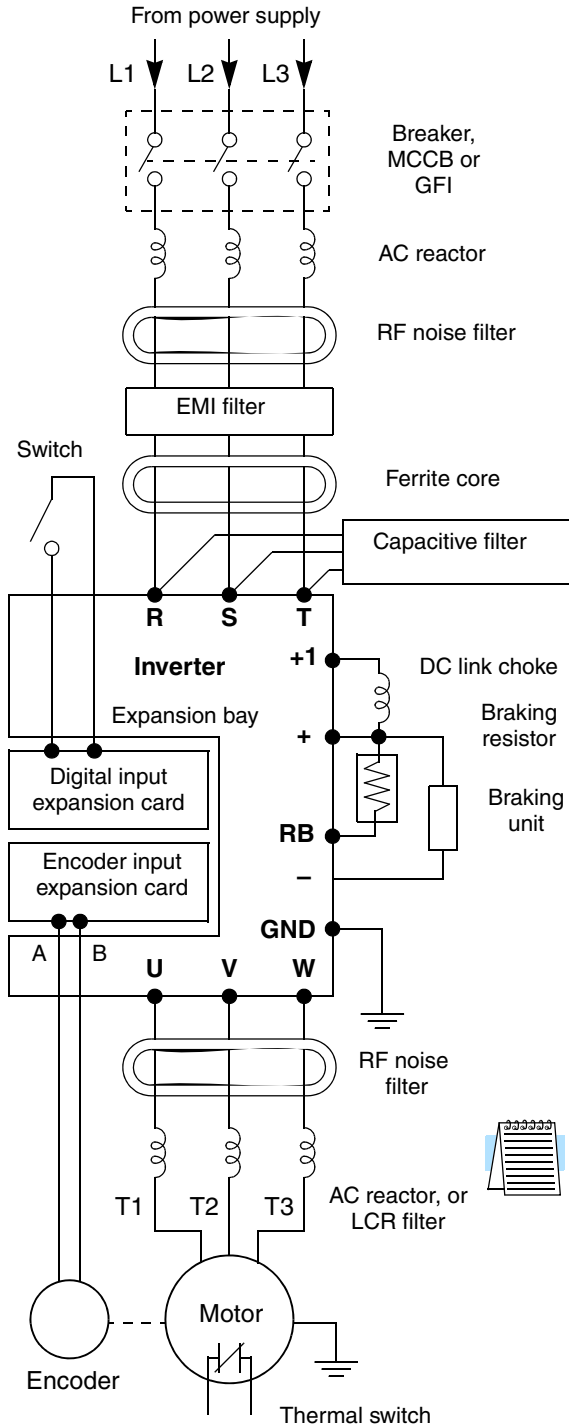
In This Chapter....

page

| | |
|--|-------------------|
| — Introduction | 2 |
| — Component Descriptions | 3 |
| — Dynamic Braking | 6 |

Introduction

A motor speed control system will obviously include a motor and inverter, as well as fuses for safety. If you are connecting a motor to the inverter on a test bench just to get started, that's all you may need for now. But a fully developed system can also have a variety of additional components. Some can be for noise suppression, while others may enhance the inverter's braking performance. The figure below shows a system with several possible optional components, and the table gives part number information.



| Name | Part No. Series | | See page |
|------------------------------|----------------------|------------------------|----------|
| | Europe, Japan | USA | |
| AC reactor, input side | ALI-xxx | HRL-x | 5-3 |
| RF noise filter, input side | ZCL-x | ZCL-x | 5-4 |
| EMI filter (EMC Class A) | NF-CEHx | NF-CEHxx | 5-4 |
| EMI filter (EMC Class B) | NF-CEHx, with FC-Hx | NF-CEHxx, with FC-Hx | 5-4 |
| Capacitive filter | CFI-x | CFI-x | 5-4 |
| DC link choke | — | HDC-xxx | 5-4 |
| Braking resistor | JRB-xxx-x, SRB-xxx-x | JRB-xxx, SRB-xxx | 5-9 |
| Braking resistor, NEMA-rated | — | HRB1-x, HRB2-x, HRB3-x | 5-9 |
| Resistance braking unit | BRD-xxx | BRD-xxx | 5-8 |
| RF noise filter, output side | ZCL-xxx | ZCL-xxx | 5-4 |
| AC reactor, output side | ALI-xxx | HRL-xxx | 5-3 |
| LCR filter | — | HRL-xxxC | 5-3 |
| Encoder feed-back expansion | SJ-FB | | 5-5 |
| Digital input expansion card | SJ-DG | | 5-5 |

NOTE: The Hitachi part number series for accessories includes different sizes of each part type, specified by the -x suffix. Hitachi product literature can help match size and rating of your inverter to the proper accessory size.

Each inverter accessory comes with its own printed instruction manual. Please refer to those manuals for complete installation details. This chapter gives only an overview of these optional system devices. For more information on Hitachi inverter system accessories, please contact your Hitachi sales office or distributor.

Motor Control Accessories

Component Descriptions

AC Reactors, Input Side

This is useful in suppressing harmonics induced on the power supply lines, or when the main power voltage imbalance exceeds 3% (and power source capacity is more than 500 kVA), or to smooth out line fluctuations. It also improves the power factor.

In the following cases for a general-purpose inverter, a large peak current flows on the main power supply side, and is able to destroy the inverter module:

- If the unbalanced factor of the power supply is 3% or higher
- If the power supply capacity is at least 10 times greater than the inverter capacity (the power supply capacity is 500 kVA or more)
- If abrupt power supply changes are expected

Examples of these situations include:

1. Several inverters are connected in parallel, sharing the same power bus
2. A thyristor converter and an inverter are connected in parallel, sharing the same power bus
3. An installed phase-advance (power factor correction) capacitor opens and closes

Where these conditions exist or when the connected equipment must be highly reliable, install an AC reactor between the power supply and the inverter. Also, where the effects of an indirect lightning strike is possible, install a lightning conductor.

Example calculation:

$V_{RS} = 205V$, $V_{ST} = 203V$, $V_{TR} = 197V$,
where V_{RS} is R-S line voltage, V_{ST} is S-T line voltage, V_{TR} is T-R line voltage

$$\begin{aligned} \text{Unbalance factor of voltage} &= \frac{\text{Max. line voltage (min.)} - \text{Mean line voltage}}{\text{Meanline voltage}} \times 100 \\ &= \frac{V_{RS} - (V_{RS} + V_{ST} + V_{TR})/3}{(V_{RS} + V_{ST} + V_{TR})/3} \times 100 = \frac{205 - 202}{202} \times 100 = 1.5\% \end{aligned}$$

Please refer to the documentation that comes with the AC reactor for installation instructions.

AC Reactor or LCR Filter, Output Side

This reactor reduces the vibrations in the motor caused by the inverter's switching waveforms, by smoothing the waveforms to approximate commercial power quality. It is also useful to reduce the reflected voltage wave phenomenon when wiring from the inverter to the motor is more than 10m in length. Please refer to the documentation that comes with the AC reactor for installation instructions.

Zero-phase Reactor (RF Noise Filter)

Electrical noise interference may occur on nearby equipment such as a radio receiver. The zero-phase reactor helps reduce radiated noise from the inverter wiring. It can be used on the input or output side of the inverter. The example zero-phase reactor shown to the right comes with a mounting bracket. The wiring must go through the opening to reduce the RF component of the electrical noise. Loop the wires three times (four turns) to attain the full RF filtering effect. For larger wire sizes, place multiple zero-phase reactors (up to four) side-by-side for a greater filtering effect.



ZCL-x

EMI Filter

The EMI filter reduces the conducted noise on the power supply wiring generated by the inverter. Connect the EMI filter to the inverter primary (input side). The NF-CEH-x series filter is required for compliance to the EMC Class A directive (Europe) and C-TICK (Australia). See [“CE-EMC Installation Guidelines” on page D-2](#).



WARNING: The EMI filter has high internal leakage current from power wiring to the chassis. Therefore, connect the chassis ground of the EMI filter before making the power connections to avoid danger of shock or injury.



NF-CEHxx

Ferrite Core

To meet EMC Class B limit an optional ferrite core (FC-Hx) must be inserted between the NF-CEHx filter (above) and the inverter.

RF Noise Filter (Capacitive)

This capacitive filter reduces radiated noise from the main power wires in the inverter input side. This filter is not for achieving CE compliance and is applicable only to the input side only of the inverter. It comes in two versions—for 200V class inverters or 400V class inverters. Please refer to the documentation that comes with the radio noise filter for installation instructions.

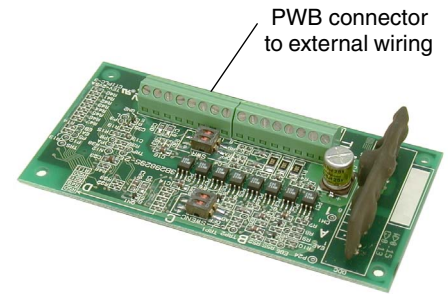
DC Link Choke

The DC choke (reactor) suppresses harmonics generated by the inverter. It attenuates the high-frequency components on the inverter's internal DC bus (link). However, note that it does not protect the diode rectifiers in the inverter input circuit.

Expansion Cards

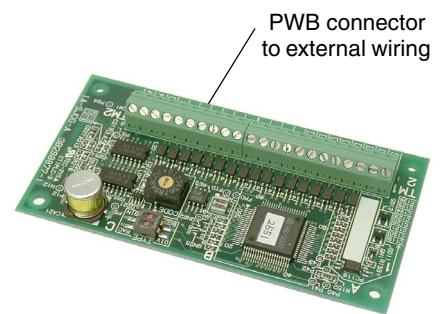
The SJ-FB Encoder Feedback Board installs in the inverter's expansion bay, which can accept up to two expansion cards. The encoder card accepts two-channel incremental encoder signals. Position feedback is essential for certain torque-control algorithms, and is useful for improving low-speed performance. The card can also generate linear acceleration/deceleration ramps for velocity control.

All wiring associated with this card connects to its PWB connectors as shown. Some related signals may be assigned to the intelligent I/O terminals, as described in Chapter 4. For more information, refer to the SJ-FB manual.



SJ-FB Encoder Feedback Card

The SJ-DG Digital Input Card installs in the inverter's expansion bay. This card accepts up to eight digital input signals, in addition to the intelligent inputs on the inverter's control terminal connector. All wiring associated with card connects to its PWB connectors as shown.



SJ-DG Digital Input Card

The SJ-DN DeviceNet Interface Card (not shown) installs in the inverter's expansion bay. It connects directly to a DeviceNet network. Inverter parameters P044 to P049 configure the card. Only one DeviceNet card may be installed in an inverter. For more information, please refer to the DeviceNet Expansion Card Instruction Manual.

Dynamic Braking

Introduction

The purpose of dynamic braking is to improve the ability of the inverter to stop (decelerate) the motor and load. This becomes necessary when an application has some or all of the following characteristics:

- High load inertia compared to the available motor torque
- The application requires frequent or sudden changes in speed
- System losses are not great enough to slow the motor as needed

When the inverter reduces its output frequency to decelerate the load, the motor can temporarily become a generator. This occurs when the motor rotation frequency is higher than the inverter output frequency. This condition can cause the inverter DC bus voltage to rise, resulting in an over-voltage trip. In many applications, the over-voltage condition serves as a warning signal that we have exceeded the deceleration capabilities of the system. SJ300 inverters rated 15hp (11kW) and below have a built-in braking unit that sends the regenerative energy from the motor during deceleration to the optional braking resistor(s). External braking units may also be used if higher braking torques and/or duty cycles are required. The dynamic braking resistor serves as a load, developing heat to stop the motor just as brakes on an automobile develop heat during braking.

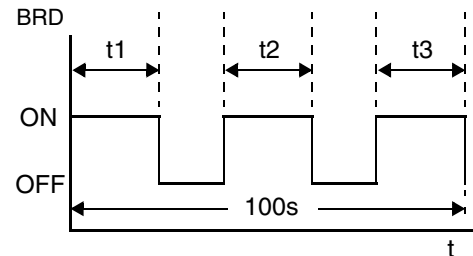
The braking resistor is the main component of a braking resistor assembly, which includes an integral thermal fuse and thermally activated alarm relay for safety. However, be careful to avoid overheating its resistor. The thermal fuse and thermal relay are safeguards for extreme conditions, but the inverter can maintain braking usage in a safe zone.



Braking Resistor

Dynamic Braking Usage Ratio

The inverter controls braking via a duty cycle method (percent of the time braking is ON versus total time). Parameter B090 sets the dynamic braking usage ratio. In the graph to the right, the example shows three uses of dynamic braking in a 100-second period. The inverter calculates the average percentage usage in that time (duty cycle %). The percentage of usage is proportional to the heat dissipated. If the duty cycle is greater than the B090 parameter setting, the inverter enters the Trip Mode and turns OFF the frequency output.



$$\boxed{\text{B90}} \text{ Duty cycle} = \frac{(t1 + t2 + t3 + \dots)}{100 \text{ seconds}} \times 100$$

Please note the following (for SJ300-004LF/HF to SJ300-110LF/HF).

- When B090 is set for 0%, dynamic braking is not performed.
- When the duty cycle value exceeds the limit set by B090, the inverter will trip (ending the dynamic braking).
- The cable from the external resistor to the inverter must not exceed 5 m (16 ft.) length.
- The wires from the DB resistor to the inverter must not be bundled together with control or signal wires.



NOTE: Inverters rated 20hp (15kW) and above (SJ300-150LF/HF to SJ300-550LF/1320HFE/1500HFU) do not include an internal braking unit. Parameters B090, B095, and B096 do not apply to these models.

**SJ300
Dynamic Braking
Selection Tables**

The SJ300 Series 200V and 400V class inverter models in the 1/2 to 15 hp range have internal braking units. Additional stopping torque is available by adding external resistors. The required braking torque depends on your particular application. Other tables in this section will help you choose the proper resistor.

| 1/2 to 15 hp (0.4 to 11 kW) | | | Without External Resistor | | Using Optional External Resistor | | Performance @ Minimum Resistance | | Minimum Resistance @ 100% Braking Duty Cycle, Ohms |
|-----------------------------|----------------|----------|---------------------------|--------------------------|----------------------------------|-------------------------|----------------------------------|----------------------------|--|
| Voltage Class | Model Number | Motor hp | Braking Unit | Braking Torque @ 60Hz, % | External Resistance, Ohms | Braking Torque @60Hz, % | Minimum Resistance, Ohms | Max. Braking Duty Cycle, % | |
| 200V | SJ300-004LFU | 1/2 | Built-in | 50 | 50 | 200 | 50 | 10 | 150 |
| | SJ300-007LFU | 1 | Built-in | 50 | 50 | 200 | 50 | 10 | 150 |
| | SJ300-015LFU | 2 | Built-in | 50 | 35 | 200 | 35 | 10 | 100 |
| | SJ300-022LFU | 3 | Built-in | 20 | 35 | 160 | 35 | 10 | 100 |
| | SJ300-037LFU | 5 | Built-in | 20 | 35 | 100 | 35 | 10 | 100 |
| | SJ300-055LFU | 7.5 | Built-in | 20 | 17 | 80 | 17 | 10 | 50 |
| | SJ300-075LFU | 10 | Built-in | 20 | 17 | 80 | 17 | 10 | 50 |
| 400V | SJ300-110LFU | 15 | Built-in | 10 | 17 | 70 | 17 | 10 | 50 |
| | SJ300-007HFU/E | 1 | Built-in | 50 | 100 | 200 | 100 | 10 | 300 |
| | SJ300-015HFU/E | 2 | Built-in | 50 | 100 | 200 | 100 | 10 | 300 |
| | SJ300-022HFU/E | 3 | Built-in | 20 | 100 | 200 | 100 | 10 | 300 |
| | SJ300-040HFU/E | 5 | Built-in | 20 | 100 | 140 | 70 | 10 | 200 |
| | SJ300-055HFU/E | 7.5 | Built-in | 20 | 70 | 100 | 70 | 10 | 200 |
| | SJ300-075HFU/E | 10 | Built-in | 20 | 70 | 100 | 50 | 10 | 150 |
| SJ300-110HFU/E | 15 | Built-in | 10 | 70 | 70 | 50 | 10 | 150 | |

Choosing a Braking Unit

The SJ300 Series 200V and 400V class inverter models in the 20 to 200 hp range require external braking units to increase their braking torque. Braking units come in sizes corresponding to the power handling requirements for particular resistor selections. Be sure to follow the installation instructions accompanying each braking unit. The following table lists the SJ300 inverter models and their applicable braking units.

| 20 to 200 hp (15 to 1500 kW) | | | Performance Versus External Braking Units | | | | |
|------------------------------|--------------------|----------|---|--------------------|--------------------------|----------------------------|--|
| | | | Without Braking Unit | With Braking Unit | | | |
| Voltage Class | Model Number SJ300 | Motor hp | Braking Torque, % | Braking Unit Model | Minimum Resistance, Ohms | Max. Braking Duty Cycle, % | Minimum Resistance @ 100% Braking Duty Cycle, Ohms |
| 200V | -150LFU | 20 | 10 | BRD-E2-N | 17 | 10 | 46 |
| | | | 10 | BRD-E2-30K | 4 | 20 | 6 |
| | -185LFU | 25 | 10 | BRD-E2-N | 17 | 10 | 46 |
| | | | 10 | BRD-E2-30K | 4 | 20 | 6 |
| | -220LFU | 30 | 10 | BRD-E2-N | 17 | 10 | 46 |
| | | | 10 | BRD-E2-30K | 4 | 20 | 6 |
| | -300LFU | 40 | 10 | BRD-E2-30K | 2 | 20 | 6 |
| | | | 10 | BRD-E2-55K | 2 | 20 | 4 |
| -370LFU | 50 | 10 | BRD-E2-55K | 2 | 20 | 4 | |
| -450LFU | 60 | 10 | BRD-E2-55K | 2 | 20 | 4 | |
| -550LFU | 75 | 10 | BRD-E2-55K | 2 | 20 | 4 | |
| 400V | -150HFU/HFE | 20 | 10 | BRD-EZ2-N | 34 | 10 | 100 |
| | | | 10 | BRD-EZ2-30K | 10 | 10 | 24 |
| | -185HFU/HFE | 25 | 10 | BRD-EZ2-N | 34 | 10 | 100 |
| | | | 10 | BRD-EZ2-30K | 10 | 10 | 24 |
| | -220HFU/HFE | 30 | 10 | BRD-EZ2-N | 34 | 10 | 100 |
| | | | 10 | BRD-EZ2-30K | 10 | 10 | 24 |
| | -300HFU/HFE | 40 | 10 | BRD-EZ2-55K | 6 | 20 | 12 |
| | -370HFU/HFE | 50 | 10 | BRD-EZ2-55K | 6 | 20 | 12 |
| | -450HFU/HFE | 60 | 10 | BRD-EZ2-55K | 6 | 20 | 12 |
| | -550HFU/HFE | 75 | 10 | BRD-EZ2-55K | 6 | 20 | 12 |
| | -750HFU/HFE | 100 | 10 | BRD-EZ2-55K | 6 | 20 | 12 |
| | -900HFU/HFE | 125 | 10 | BRD-EZ2-55K | 6 | 20 | 12 |
| -1100HFU/HFE | 150 | 10 | BRD-EZ2-55K | 6 | 20 | 12 | |
| -1320HFE | 175 | 10 | BRD-EZ2-55K | 6 | 20 | 12 | |
| -1500HFU | 200 | 10 | BRD-EZ2-55K | 6 | 20 | 12 | |

Selecting a Braking Resistor

You can add one or more resistors to your inverter configuration to increase braking torque performance. The number of resistors and their configuration (series or parallel) depends on the desired braking torque. The tables below list the resistor types for inverter models with internal braking units. Tables for inverters with external braking units are on the next two pages.

- Total Ohms – lists the resistance value of the resistor or, if using multiple resistors, their combined resistance
- Total Watts – lists the power dissipation of the resistor or, if using multiple resistors, their combined power dissipation
- Maximum Duty Cycle – the maximum allowable percentage of braking time over any 100-second interval to avoid overheating the resistor(s)
- Maximum braking torque – the maximum braking torque that the inverter / resistor combination can deliver

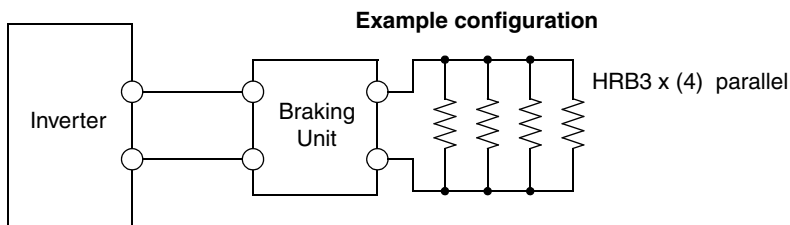


NOTE: If your application requires resistors with NEMA ratings, be sure to use the HRB type.

| 200V Class | | Dynamic Braking Resistor Selection | | | | | | | | | | | Max. Braking Torque, % |
|-----------------------|-------------------------------|------------------------------------|-------------|--------------------|-------------------------------|------------|-------------|--------------------|--------------|------------|-------------|--------------------|------------------------|
| Model Number SJ300 | JRB Series | | | | SRB/NSRB Series | | | | HRB Series | | | | |
| | Type & (qty) | Total Ohms | Total Watts | Max. Duty Cycle, % | Type & (qty) | Total Ohms | Total Watts | Max. Duty Cycle, % | Type & (qty) | Total Ohms | Total Watts | Max. Duty Cycle, % | |
| -004LFU | 120-3 | 50 | 120 | 1.5 | 300-1 | 50 | 300 | 7.5 | HRB1 | 50 | 400 | 10 | 200 |
| -007LFU | 120-3 | 50 | 120 | 1.5 | 300-1 | 50 | 300 | 7.5 | HRB1 | 50 | 400 | 10 | 200 |
| -015LFU | 120-4 | 35 | 120 | 1.0 | 400-1 | 35 | 400 | 7.5 | HRB2 | 35 | 600 | 10 | 200 |
| -022LFU | 120-4 | 35 | 120 | 1.0 | 400-1 | 35 | 400 | 7.5 | HRB2 | 35 | 600 | 10 | 160 |
| -037LFU | 120-4 | 35 | 120 | 1.0 | 400-1 | 35 | 400 | 7.5 | HRB2 | 35 | 600 | 10 | 100 |
| -055LFU | 120-4 x (2) in parallel | 17.5 | 240 | 1.0 | 400-1 x (2) in parallel | 17.5 | 800 | 7.5 | HRB3 | 17 | 1200 | 10 | 80 |
| -075LFU | | 17.5 | 240 | 1.0 | | 17.5 | 800 | 7.5 | HRB3 | 17 | 1200 | 10 | 80 |
| -110LFU | | 17.5 | 240 | 1.0 | | 17.5 | 800 | 7.5 | HRB3 | 17 | 1200 | 10 | 70 |

| 400V Class | | Dynamic Braking Resistor Selection | | | | | | | | | | | Max. Braking Torque, % |
|-----------------------|-----------------------------|------------------------------------|-------------|--------------------|-----------------------------|------------|-------------|--------------------|----------------------------|------------|-------------|--------------------|------------------------|
| Model Number SJ300 | JRB Series | | | | SRB/NSRB Series | | | | HRB Series | | | | |
| | Type & (qty) | Total Ohms | Total Watts | Max. Duty Cycle, % | Type & (qty) | Total Ohms | Total Watts | Max. Duty Cycle, % | Type & (qty) | Total Ohms | Total Watts | Max. Duty Cycle, % | |
| -007HFU/HFE | 120-2 | 100 | 120 | 1.5 | 200-2 | 100 | 200 | 7.5 | HRB1 x (2) in series | 100 | 800 | 10 | 200 |
| -015HFU/HFE | 120-2 | 100 | 120 | 1.5 | 200-2 | 100 | 200 | 7.5 | | 100 | 800 | 10 | 200 |
| -022HFU/HFE | 120-2 | 100 | 120 | 1.5 | 200-2 | 100 | 200 | 7.5 | | 100 | 800 | 10 | 200 |
| -040HFU/HFE | 120-4 x (2) in series | 70 | 240 | 1.0 | 400-1 x (2) in series | 70 | 800 | 10 | HRB2 x (2) in series | 70 | 1200 | 10 | 140 |
| -055HFU/HFE | | 70 | 240 | 1.0 | | 70 | 800 | 10 | | 70 | 1200 | 10 | 120 |
| -075HFU/HFE | | 70 | 240 | 1.0 | | 70 | 800 | 10 | | 70 | 1200 | 10 | 100 |
| -110HFU/HFE | | 70 | 240 | 1.0 | | 70 | 800 | 10 | | 70 | 1200 | 10 | 70 |

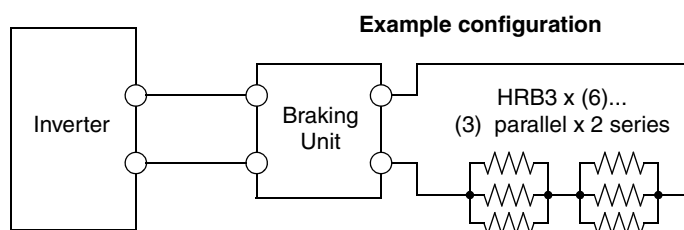
The table below lists the performance of 200V-class inverter models with the optional **external** braking units. In some cases, the resistor selection specifies multiple resistors in a parallel, series, or combination parallel/series configuration. The example diagram shows a parallel configuration. Please refer to the braking resistor documentation for detailed wiring diagrams.



| 200V Class | Braking Unit | Dynamic Braking Resistor Selection | | | | | Max. Braking Torque, % |
|-----------------------|--------------|------------------------------------|--------------------|------------|-------------|--------------------|------------------------|
| Model Number SJ300 | Type | Type x (quantity) | Series or Parallel | Total Ohms | Total Watts | Max. Duty Cycle, % | |
| -150LFU | BRD-E2 | HRB1 | — | 50 | 400 | 10 | 30 |
| | | HRB2 | — | 35 | 600 | 10 | 35 |
| | | HRB3 | — | 17 | 1200 | 10 | 60 |
| | BRD-E2-30K | HRB3 x (2) | parallel | 8.5 | 2400 | 20 | 110 |
| | | HRB3 x (3) | parallel | 5.7 | 3600 | 20 | 150 |
| | | HRB3 x (4) | parallel | 4.3 | 4800 | 20 | 200 |
| -185LFU | BRD-E2 | HRB1 | — | 50 | 400 | 10 | 25 |
| | | HRB2 | — | 35 | 600 | 10 | 30 |
| | | HRB3 | — | 17 | 1200 | 10 | 50 |
| | BRD-E2-30K | HRB3 x (2) | parallel | 8.5 | 2400 | 20 | 90 |
| | | HRB3 x (3) | parallel | 5.7 | 3600 | 20 | 130 |
| | | HRB3 x (4) | parallel | 4.3 | 4800 | 20 | 170 |
| -220LFU | BRD-E2 | HRB1 | — | 50 | 400 | 10 | 25 |
| | | HRB2 | — | 35 | 600 | 10 | 30 |
| | | HRB3 | — | 17 | 1200 | 10 | 45 |
| | BRD-E2-30K | HRB3 x (2) | parallel | 8.5 | 2400 | 20 | 80 |
| | | HRB3 x (3) | parallel | 5.7 | 3600 | 20 | 110 |
| | | HRB3 x (4) | parallel | 4.3 | 4800 | 20 | 150 |
| -300LFU | BRD-E2-30K | HRB3 x (2) | parallel | 8.5 | 2400 | 20 | 55 |
| | | HRB3 x (3) | parallel | 5.7 | 3600 | 20 | 80 |
| | | HRB3 x (4) | parallel | 4.3 | 4800 | 20 | 110 |
| -370LFU | BRD-E2-30K | HRB3 x (2) | parallel | 8.5 | 2400 | 20 | 45 |
| | | HRB3 x (3) | parallel | 5.7 | 3600 | 20 | 65 |
| | | HRB3 x (4) | parallel | 4.3 | 4800 | 20 | 90 |
| -450LFU | BRD-E2-30K | HRB3 x (2) | parallel | 8.5 | 2400 | 20 | 35 |
| | | HRB3 x (3) | parallel | 5.7 | 3600 | 20 | 50 |
| | | HRB3 x (4) | parallel | 4.3 | 4800 | 20 | 75 |

| 200V Class | Braking Unit | Dynamic Braking Resistor Selection | | | | | Max. Braking Torque, % |
|-----------------------|--------------|------------------------------------|--------------------|------------|-------------|--------------------|------------------------|
| Model Number SJ300 | Type | Type x (quantity) | Series or Parallel | Total Ohms | Total Watts | Max. Duty Cycle, % | |
| -550LFU | BRD-E2-30K | HRB3 x (2) | parallel | 8.5 | 2400 | 20 | 30 |
| | | HRB3 x (3) | parallel | 5.7 | 3600 | 20 | 40 |
| | | HRB3 x (4) | parallel | 4.3 | 4800 | 20 | 60 |

The table below lists the performance of 400V-class inverter models with the optional external braking units. In some cases, the resistor selection specifies multiple resistors in a parallel, series, or combination parallel/series configuration. The example diagram shows a combination parallel / series configuration. Please refer to the braking unit manual for detailed wiring diagrams.



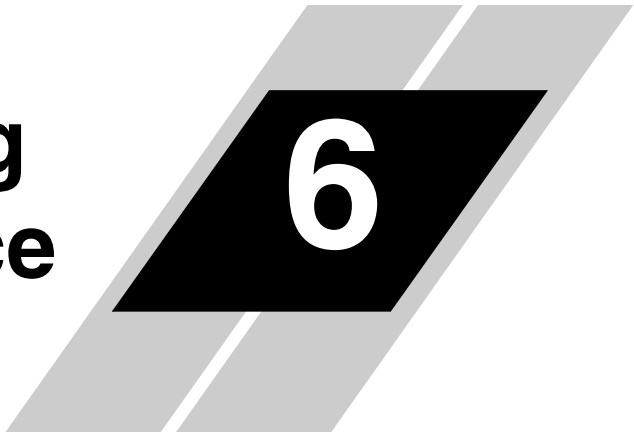
| 400V Class | Braking Unit | Dynamic Braking Resistor Selection | | | | | Max. Braking Torque, % |
|-----------------------|--------------|------------------------------------|-------------------------|------------|-------------|--------------------|------------------------|
| Model Number SJ300 | Type | Type x (quantity) | Series / Parallel | Total Ohms | Total Watts | Max. Duty Cycle, % | |
| -150HFU/HFE | BRD-EZ2 | HRB1 x (2) | series | 100 | 800 | 10 | 40 |
| | | HRB2 x (2) | series | 70 | 1200 | 10 | 60 |
| | | HRB3 x (2) | series | 34 | 2400 | 10 | 110 |
| | BRD-EZ2-30K | HRB3 x (4) | (2) parallel x 2 series | 17 | 4800 | 10 | 190 |
| | | HRB3 x (6) | (3) parallel x 2 series | 11.3 | 7200 | 10 | 200 |
| -185HFU/HFE | BRD-EZ2 | HRB1 x (2) | series | 100 | 800 | 10 | 40 |
| | | HRB2 x (2) | series | 70 | 1200 | 10 | 50 |
| | | HRB3 x (2) | series | 34 | 2400 | 10 | 90 |
| | BRD-EZ2-30K | HRB3 x (4) | (2) parallel x 2 series | 17 | 4800 | 10 | 170 |
| | | HRB3 x (6) | (3) parallel x 2 series | 11.3 | 7200 | 10 | 200 |
| -220HFU/HFE | BRD-EZ2 | HRB1 x (2) | series | 100 | 800 | 10 | 35 |
| | | HRB2 x (2) | series | 70 | 1200 | 10 | 45 |
| | | HRB3 x (2) | series | 34 | 2400 | 10 | 80 |
| | BRD-EZ2-30K | HRB3 x (4) | (2) parallel x 2 series | 17 | 4800 | 10 | 150 |
| | | HRB3 x (6) | (3) parallel x 2 series | 11.3 | 7200 | 10 | 200 |

| 400V Class | Braking Unit | Dynamic Braking Resistor Selection | | | | | Max. Braking Torque, % |
|-----------------------|--------------|------------------------------------|-------------------------|------------|-------------|--------------------|------------------------|
| Model Number SJ300 | Type | Type x (quantity) | Series / Parallel | Total Ohms | Total Watts | Max. Duty Cycle, % | |
| -300HFU | BRD-EZ2-30K | HRB3 x (4) | (2) parallel x 2 series | 17 | 4800 | 10 | 110 |
| | | HRB3 x (6) | (3) parallel x 2 series | 11.3 | 7200 | 10 | 170 |
| -370HFU/HFE | BRD-EZ2-30K | HRB3 x (4) | (2) parallel x 2 series | 17 | 4800 | 10 | 90 |
| | | HRB3 x (6) | (3) parallel x 2 series | 11.3 | 7200 | 10 | 150 |
| -450HFU/HFE | BRD-EZ2-55K | HRB3 x (4) | (2) parallel x 2 series | 17 | 4800 | 10 | 70 |
| | | HRB3 x (6) | (3) parallel x 2 series | 11.3 | 7200 | 10 | 120 |
| -550HFU/HFE | BRD-EZ2-55K | HRB3 x (4) | (2) parallel x 2 series | 17 | 4800 | 10 | 60 |
| | | HRB3 x (6) | (3) parallel x 2 series | 11.3 | 7200 | 10 | 100 |
| -750HFU/HFE | BRD-EZ2-55K | HRB3 x (4) | (2) parallel x 2 series | 17 | 4800 | 10 | 45 |
| | | HRB3 x (6) | (3) parallel x 2 series | 11.3 | 7200 | 10 | 70 |
| -900HFU/HFE | BRD-EZ2-55K | HRB3 x (4) | (2) parallel x 2 series | 17 | 4800 | 10 | 40 |
| | | HRB3 x (6) | (3) parallel x 2 series | 11.3 | 7200 | 10 | 60 |
| -1100HFU/HFE | BRD-EZ2-55K | HRB3 x (4) | (2) parallel x 2 series | 17 | 4800 | 10 | 30 |
| | | HRB3 x (6) | (3) parallel x 2 series | 11.3 | 7200 | 10 | 50 |
| -1320HFU | BRD-EZ2-55K | HRB3 x (4) | (2) parallel x 2 series | 17 | 4800 | 10 | 25 |
| | | HRB3 x (6) | (3) parallel x 2 series | 11.3 | 7200 | 10 | 40 |
| -1500HFE | BRD-EZ2-55K | HRB3 x (4) | (2) parallel x 2 series | 17 | 4800 | 10 | 20 |
| | | HRB3 x (6) | (3) parallel x 2 series | 11.3 | 7200 | 10 | 35 |



NOTE: Other braking units and resistors are also available. For braking requirements beyond those in the tables, contact your Hitachi distributor.

Troubleshooting and Maintenance



| In This Chapter.... | page |
|---|--------------------|
| — Troubleshooting | 2 |
| — Monitoring Trip Events, History, & Conditions | 5 |
| — Restoring Factory Default Settings | 9 |
| — Maintenance and Inspection | 10 |
| — Warranty | 18 |

Troubleshooting

Safety Messages Please read the following safety messages before troubleshooting or performing maintenance on the inverter and motor system.



WARNING: Wait at least five (5) minutes after turning OFF the input power supply before performing maintenance or an inspection. Otherwise, there is the danger of electric shock.



WARNING: Make sure that only qualified personnel will perform maintenance, inspection, and part replacement. Before starting to work, remove any metallic objects from your person (wristwatch, bracelet, etc.). Be sure to use tools with insulated handles. Otherwise, there is a danger of electric shock and/or injury to personnel.



WARNING: Never remove connectors by pulling on its wire leads (wires for cooling fan and logic P.C. board). Otherwise, there is danger of fire due to wire breakage and/or injury to personnel.

General Precautions and Notes

- Always keep the unit clean so that dust or other foreign matter does not enter the inverter.
- Take special care to avoid breaking wires or making connection mistakes.
- Firmly connect terminals and connectors.
- Keep electronic equipment away from moisture and oil. Dust, steel filings and other foreign matter can damage the inverter, causing unexpected accidents, so take special care.

Inspection Items

This chapter provides instructions or checklists for these inspection items:

- Daily inspection
- Periodic inspection (approximately once a year)
- Insulation resistance test

Troubleshooting Tips The table below lists typical symptoms and the corresponding solution(s).

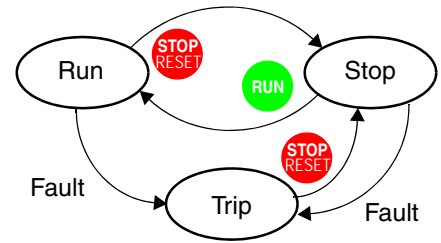
| Symptom/condition | | Probable Cause | Solution |
|---|---|---|--|
| The motor will not run. | The inverter outputs U, V, W are not supplying voltage. | <ul style="list-style-type: none"> Is the frequency command source A001 parameter setting correct? Is the Run command source A002 parameter setting correct? | <ul style="list-style-type: none"> Make sure the parameter setting A001 is correct. Make sure the parameter setting A002 is correct. |
| | | <ul style="list-style-type: none"> Is power being supplied to terminals [R], [S], and [T] ([L1], [L2], and [L3])? If so, the POWER lamp should be ON. | <ul style="list-style-type: none"> Check terminals [R], [S], and [T] ([L1], [L2], and [L3]), then [U], [V], and [W] ([T1], [T2], and [T3]). Turn ON the power supply or check fuses. |
| | | <ul style="list-style-type: none"> Is there an error code EXX.X displayed? | <ul style="list-style-type: none"> Press the FUNC. key and determine the error type. Eliminate the error cause, then clear the error (Reset). |
| | | <ul style="list-style-type: none"> Are the signals to the intelligent input terminals correct? Is the Run Command active? Is the [FW] terminal (or [RV]) connected to P24 (via switch, etc.) | <ul style="list-style-type: none"> Verify the terminal functions for C001 - C008 are correct. Turn ON Run command enable. Supply 24V to [FW] or [RV] terminal, if configured. |
| | | <ul style="list-style-type: none"> Has the frequency setting for F001 been set greater than zero? Are the control circuit terminals [H], [O], and [L] connected to the potentiometer? | <ul style="list-style-type: none"> Set the parameter for F001 to a safe, non-zero value. If the potentiometer is the frequency setting source, verify voltage at [O] > 0V. |
| | | <ul style="list-style-type: none"> Is the RS (reset) function or FRS (free-run stop) function ON? | <ul style="list-style-type: none"> Turn OFF the command(s). |
| | Inverter outputs U, V, W are supplying voltage. | <ul style="list-style-type: none"> Is the motor load too heavy? | <ul style="list-style-type: none"> Reduce load or test the motor independently of the load. |
| The direction of the motor is reversed. | <ul style="list-style-type: none"> Are the connections of output terminals [U/T1], [V/T2], and [W/T3] correct? Is the phase sequence of the motor forward or reverse with respect to [U/T1],[V/T2], and [W/T3]? | <ul style="list-style-type: none"> Make connections according to the phase sequence of the motor. In general: FWD = U-V-W, and REV=U-W-V. | |
| | <ul style="list-style-type: none"> Are the control terminals [FW] and [RV] wired correctly? Is parameter F004 properly set? | <ul style="list-style-type: none"> Use terminal [FW] for forward, and [RV] for reverse. Set motor direction in F004. | |

| Symptom/condition | | Probable Cause | Solution |
|--|-----------------------------|--|---|
| The motor speed will not reach the target frequency (desired speed). | | <ul style="list-style-type: none"> If using the analog input, is there current or voltage at [O] or [OI]? | <ul style="list-style-type: none"> Check the wiring. Check the potentiometer or signal generating device. |
| | | <ul style="list-style-type: none"> Is the load too heavy? | <ul style="list-style-type: none"> Reduce the load. Heavy loads activate the overload restriction feature (reduces output as needed). |
| | | <ul style="list-style-type: none"> Is the inverter internally limiting the output frequency? | <ul style="list-style-type: none"> Check max frequency setting (A004) Check frequency upper limit setting (A061) If using analog inputs, check their settings (A101– A104) or (A111–A114), or (A011–A014) |
| The rotation is unstable. | | <ul style="list-style-type: none"> Is the load fluctuation too great? Is the supply voltage unstable? Is the problem occurring at a particular frequency? | <ul style="list-style-type: none"> Increase the motor capacity (both inverter and motor). Fix power supply problem. Change the output frequency slightly, or use the jump frequency setting to skip the problem frequency. |
| The RPM of the motor does not match the inverter output frequency setting. | | <ul style="list-style-type: none"> Is the maximum frequency setting A004 correct? Does the monitor function D001 display the expected output frequency? | <ul style="list-style-type: none"> Verify the V/F settings match motor specifications. Make sure all scaling (such as A011 to A014) is properly set. |
| A parameter will not change after an edit (reverts to old setting). | True for certain parameters | <ul style="list-style-type: none"> Is the inverter in Run Mode? Some parameters cannot be edited during Run Mode. | <ul style="list-style-type: none"> Put inverter in Stop Mode (press the Stop/reset key). Then edit the parameter. |
| | True for all parameters | <ul style="list-style-type: none"> If you're using the [SFT] intelligent input (software lock function)—is the [SFT] input ON? | <ul style="list-style-type: none"> Change the state of the SFT input, and check the B031 parameter (SFT mode). |

Monitoring Trip Events, History, & Conditions

Fault Detection and Clearing

The microprocessor in the inverter detects a variety of fault conditions and captures the event, recording it in a history table. The inverter output turns OFF, or “trips” similar to the way a circuit breaker trips due to an over-current condition. Most faults occur when the motor is running (refer to the diagram to the right). However, the inverter could have an internal fault and trip in Stop Mode. In either case, you can clear the fault by pressing the Stop/Reset key. Additionally, you can clear the inverter’s cumulative trip history by performing the procedure [“Restoring Factory Default Settings” on page 6-9](#) (setting B_84=00 will clear the trip history but leave inverter settings intact).



Error Status Codes

The conditions at the time of an error provide important clues to help you understand the cause. The SJ300 inverter displays a “status at trip point” digit to the right of the decimal point for some error codes. For example, **E07.2** means Error 7 occurred and the inverter status was condition # “2” when the error occurred.

| Status Codes | Inverter Status | Status Codes | Inverter Status |
|---------------|-----------------|---------------|--|
| --- .0 | Reset | --- .5 | Run Command active with 0 Hz speed reference |
| --- .1 | Stop | --- .6 | Starting |
| --- .2 | Deceleration | --- .7 | DC braking |
| --- .3 | Constant speed | --- .8 | Overload restriction |
| --- .4 | Acceleration | | |

Error Codes

An error code will appear on the display automatically when a fault causes the inverter to trip. The following table lists the cause associated with the error.

| Error Code | Name | Probable Cause(s) |
|------------|--|---|
| E01 | Over current event while at constant speed | The inverter output was short-circuited, or the motor shaft is locked or has a heavy load. These conditions cause excessive current for the inverter, so the inverter output is turned OFF. |
| E02 | Over current event during deceleration | |
| E03 | Over current event during acceleration | The dual-voltage motor is wired incorrectly. Note: The SJ300 will over current trip at nominally 200% of rated current for models up to -550xxx; nominally 180% of rated current for models -750xxx to -1500xxx. |
| E04 | Over current event during other conditions | DC braking power(A054) is set too high, or a current transformer error occurred, or a noise source induced the error. |

| Error Code | Name | Probable Cause(s) |
|------------|--------------------------------|---|
| E05 | Overload protection | When a motor overload is detected by the electronic thermal function, the inverter trips and turns OFF its output. |
| E06 | Braking resistor overload | When the regenerative braking resistor exceeds the usage time allowance or usage ratio, the inverter trips and turns OFF its output to the motor. |
| E07 | Over voltage protection | When the DC bus voltage exceeds a threshold, due to regenerative energy from the motor. |
| E08 | EEPROM error | When the built-in EEPROM memory has problems due to noise or excessive temperature, the inverter trips and turns OFF its output to the motor. |
| E09 | Under-voltage error | A decrease of internal DC bus voltage below a threshold results in a control circuit fault. This condition can also generate excessive motor heat or cause low torque. The inverter trips and turns OFF its output. |
| E10 | CT (current transformer) error | If a strong source of electrical interference is close to the inverter or a fault occurs in a built-in CT (current transformer), the inverter trips and turns its output OFF. |
| E11 | CPU error | A malfunction in the built-in CPU has occurred, so the inverter trips and turns OFF its output to the motor. |
| E12 | External trip | A signal on an intelligent input terminal configured as EXT has occurred. The inverter trips and turns OFF the output to the motor. |
| E13 | USP | When the Unattended Start Protection (USP) is enabled, an error occurred when power is applied while a Run signal is present. The inverter trips and does not go into Run Mode until the error is cleared. |
| E14 | Ground fault | The inverter is protected by the detection of ground faults between the inverter output and the motor during powerup tests. This feature protects the inverter, and does not protect humans. |
| E15 | Input over-voltage | When the input voltage is higher than the specified value, it is detected 60 seconds after powerup and the inverter trips and turns OFF its output. |
| E16 | Instantaneous power failure | When the input power is removed for more than 15ms, the inverter trips and the output to the motor turns OFF. If the power failure duration exceeds the duration set in parameter B002, it is considered a power failure. When input power is restored, the inverter restarts if the Run signal is present, depending on the restart condition. |
| E21 | Inverter thermal trip | When the inverter internal temperature is above the threshold, the thermal sensor in the inverter module detects the excessive temperature of the power devices and trips, turning the inverter output OFF. |

| Error Code | Name | Probable Cause(s) |
|-------------|--|---|
| E23 | Gate array error | An internal inverter error has occurred in communications between the CPU and gate array IC. |
| E24 | Phase failure detection | One of three lines of the 3-phase power is missing. |
| E30 | IGBT error | When an instantaneous over-current condition occurs on any IGBT (output transistor) device, the inverter alarm trips. then it turns the outputs OFF in order to protect the circuitry. |
| E35 | Thermistor | When a thermistor is connected to terminals [TH] and [CM1] and the inverter has sensed the temperature is too high, the inverter trips and turns OFF the output. |
| E36 | Brake error | When the inverter releases the brake and cannot detect whether the external brake is ON or OFF within the waiting time (set by parameter B124), the inverter trips and turns OFF the output to the motor. |
| ---- | Under-voltage (brownout) with output shutoff | Due to low input voltage, the inverter turns its output OFF and tries to restart. If it fails to restart, then the alarm trips to record the under-voltage error event. |
| 0000 | Automatic restart and phase loss | The inverter is restarting, due to an over-current, over-voltage, under-voltage, or a phase loss event. See parameter B001 setting in “Automatic Restart Mode and Phase Loss” on page 3-29. |
| E6X | Expansion card #1 connection error | An error has occurred in an expansion card or at its connecting terminals. Please refer to the manual for the expansion card for additional details. |
| E7X | Expansion card #2 connection error | |

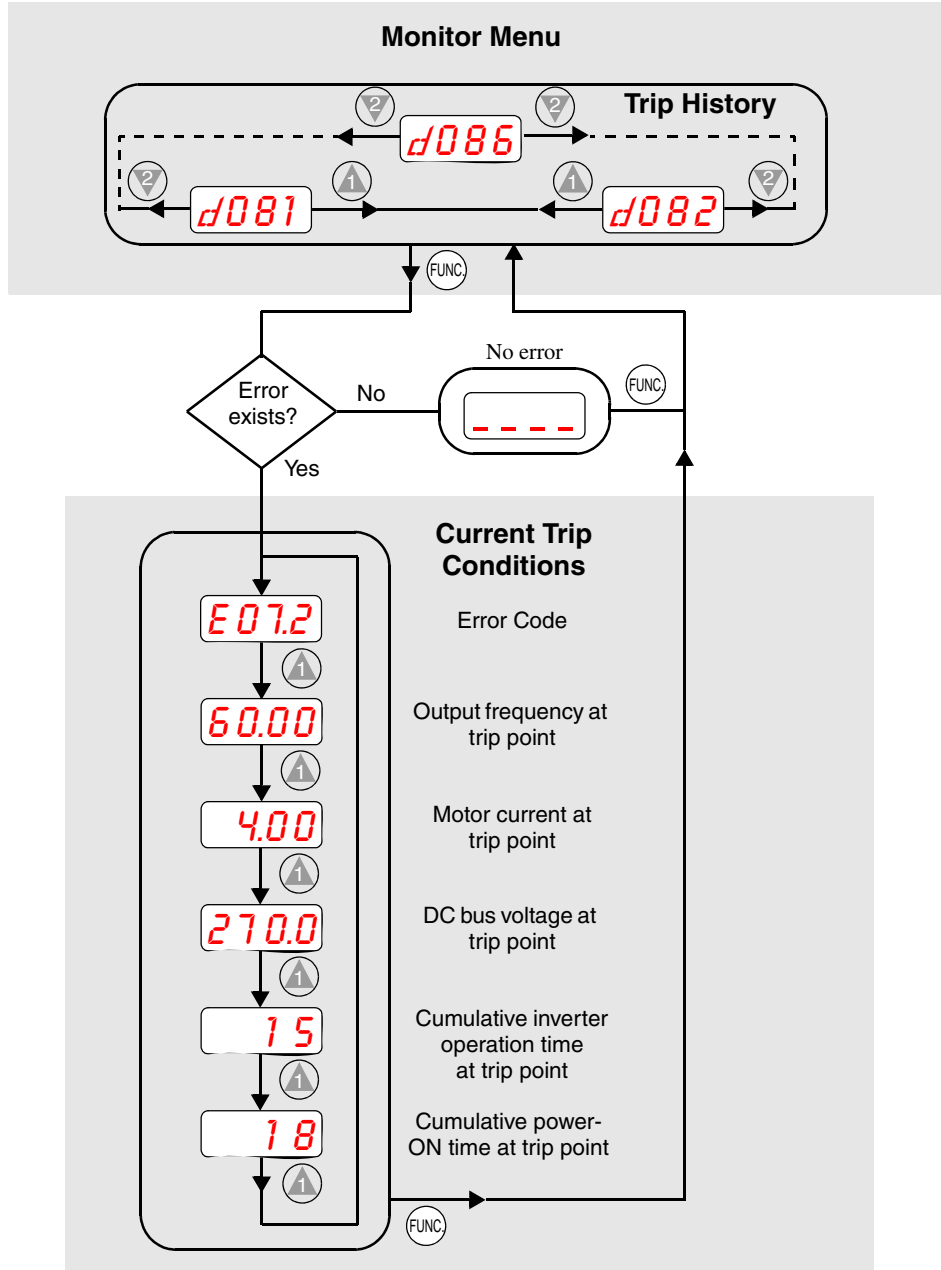


NOTE: If an EEPROM error (E08) occurs, be sure to confirm the parameter data values are still correct.

Trip History and Inverter Status

We recommend that you first find the cause of the fault before attempting clearing it. When a fault occurs, the inverter stores important performance data at the moment of the fault. To access the data, use the monitor functions (Dxxx) and select D081 for details about the present fault (E_n). The previous five faults are stored in D081 to D086, with D081 (E_n) to E_{n-5}). Each error shifts D081–D085 to D082–D086, and writes the new error to D081.

The following Monitor Menu map shows how to access the error codes. When fault(s) exist, you can review their details by first selecting the proper function: D081 is most recent, and D086 is the oldest.



Restoring Factory Default Settings

You can restore all inverter parameters to the original factory (default) settings for the intended country of use. After initializing the inverter, use the powerup test in Chapter 2 to get the motor running again. To initialize the inverter, follow the steps below.

| No. | Action | Display | Func./Parameter |
|-----|---|------------|---|
| 1 | Use the FUNC , ▲ , and ▼ keys to navigate to the “B” Group. | | “B” Group selected |
| 2 | Press the FUNC key. | | First “B” parameter selected |
| 3 | Press and hold the ▲ key until -> | | Country code for initialization selected |
| 4 | Press the FUNC key. | | 00 = Japan, 01 = Europe, 02 = U.S. |
| 5 | Confirm the country code is correct. Do not change it unless you are absolutely sure the power input voltage range and frequency match the country code setting. To change the country code, press ▲ or ▼ to set; STR to store. | | |
| 6 | Press the FUNC key. | | Country code for initialization selected |
| 7 | Press the ▼ key. | | Initialization function selected |
| 8 | Press the FUNC key. | | 00 = initialization disabled, clear trip history only |
| 9 | Press the ▲ key. | | 01 = enable initialization |
| 10 | Press the STR key. | | Initialization now enabled to restore all defaults |
| 11 | Press and hold the ▲ and ▼ keys together, and immediately press and hold the FUNC key. Do not release these keys yet. | | First part of special key sequence, the “B” in the display begins flashing |
| 12 | Holding the keys above, press and hold the (STOP) key for 3 sec. | | Entire “B084” display will begin flashing |
| 13 | When the <i>b084</i> display begins flashing, release the key. | OR | Default parameter country code shown during initialization process (left-most character displays alternating pattern) |
| 14 | Release the ▲ , ▼ , and FUNC keys together. | | Final part of key sequence, function code for output frequency monitor shown after initialization is complete |

Maintenance and Inspection

Monthly and Yearly Inspection Chart

| Item Inspected | | Check for... | Inspection Cycle | | Inspection Method | Criteria |
|-----------------|----------------------|---------------------------------|------------------|--------|---|--|
| | | | Month | Year | | |
| Overall | Ambient environment | Extreme temperatures & humidity | ✓ | | Thermometer, hygrometer | Ambient temperature between -10 to 50°C, non-condensing |
| | Major devices | Abnormal vibration, noise | ✓ | | Visual and aural | Stable environment for electronic controls |
| | Power supply voltage | Voltage tolerance | ✓ | | Digital volt meter, measure between inverter terminals [L1], [L2], [L3] | 200V class: 200 to 240V 50/60 Hz 400V class: 380 to 460V 50/60 Hz |
| Main circuit | Ground Insulation | Adequate resistance | | ✓ | Megger test | 500VDC, reading of 5M ohms or greater, see next section for test details |
| | Mounting | No loose screws | | ✓ | Torque wrench | M3: 0.5 – 0.6 Nm M4: 0.98 – 1.3 Nm M5: 1.5 – 2.0 Nm |
| | Components | Overheating | | ✓ | Thermal trip events | No trip events |
| | Housing | Dirt, dust | | ✓ | Visual | Vacuum dust and dirt |
| | Terminal block | Secure connections | | ✓ | Visual | No abnormalities |
| | Smoothing capacitor | Leaking, swelling | ✓ | | Visual | No abnormalities |
| | Relay(s) | Chattering | | ✓ | Aural | Single click when switching ON or OFF |
| | Resistors | Cracks or discoloring | | ✓ | Visual | Use Ohm meter to check braking resistors |
| | Cooling fan | Noise | | ✓ | Power down, manually rotate | Rotation must be smooth |
| Dust | | | ✓ | Visual | Vacuum to clean | |
| Control circuit | Overall | No odor, discoloring, corrosion | | ✓ | Visual | No abnormalities |
| | Capacitor | No leaks or deformation | ✓ | | Visual | Undistorted appearance |
| Display | LEDs | Legibility | ✓ | | Visual | All LED segments work |

Note 1: The life of a capacitor is affected by the ambient temperature. See "[Capacitor Life Curve](#)" on page 6-12.

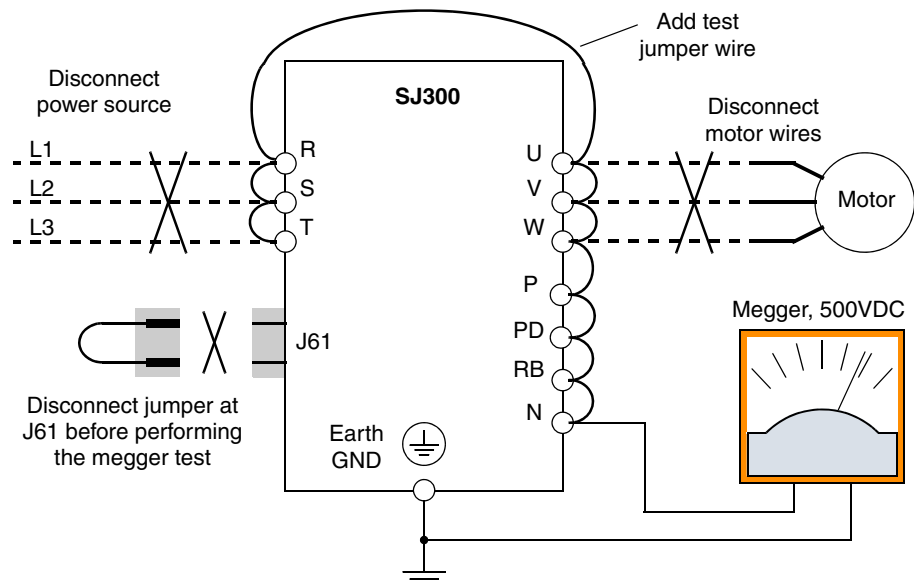
Note 2: The inverter must be cleaned periodically. If dust accumulates on the fan and heat sink, it can cause overheating of the inverter.

Megger Test

The *megger* is a piece of test equipment that uses a high voltage to determine if an insulation degradation has occurred. For inverters, it is important that the power terminals be isolated from the Earth GND terminal via the proper amount of insulation.

The circuit diagram below shows the inverter wiring for performing the megger test. Just follow the steps to perform the test:

1. Remove power from the inverter and wait at least 5 minutes before proceeding.
2. Open the front housing panel to access the power wiring.
3. Remove all wires to terminals [R, S, T, PD, P, N, RB, U, V, and W]. Most importantly, the input power and motor wires will be disconnected from the inverter.
4. Remove the jumper at connector J61. It is located on the main circuit board beside the power terminals.
5. Use a bare wire and short terminals [R, S, T, PD, P, N, RB, U, V, and W] together as shown in the diagram.
6. Connect the megger to the inverter Earth GND and to the shorted power terminals as shown. Then perform the megger test at 500 VDC and verify 5MΩ or greater resistance.



7. After completing the test, disconnect the megger from the inverter.
8. Reconnect the jumper at connector J61 as before.
9. Reconnect the original wires to terminals [R, S, T, PD, P, N, RB, U, V, and W].

CAUTION: Do not connect the megger to any control circuit terminals such as intelligent I/O, analog terminals, etc. Doing so could cause damage to the inverter.

CAUTION: Never test the withstand voltage (HIPOT) on the inverter. The inverter has a surge protector between the main circuit terminals above and the chassis ground.



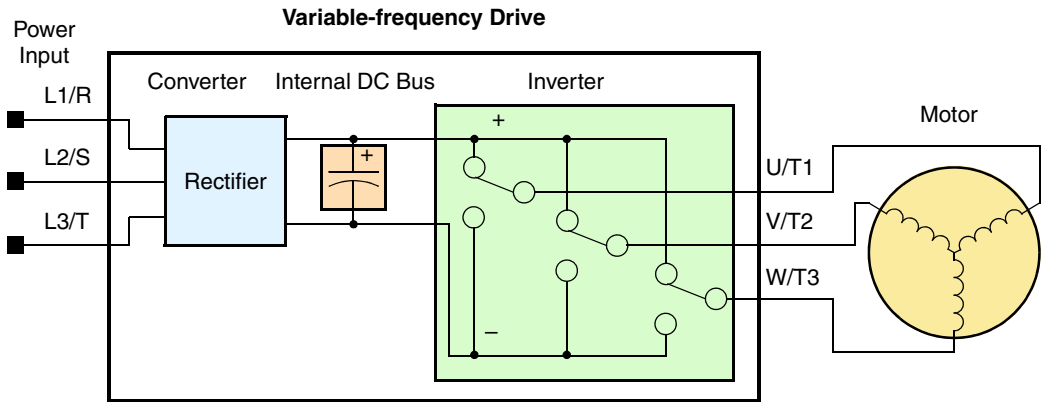
Spare parts

We recommend that you stock spare parts to reduce down time, including parts listed below:

| Part description | Symbol | Quantity | | Notes |
|-----------------------|--------|-------------------------------|--------|--|
| | | Used | Spare | |
| Cooling fan | FAN | 1, 2, 3... (depends on model) | 1 or 2 | Fan unit at top of housing in all models |
| Auxiliary cooling fan | FAN | 0 or 1... (depends on model) | 0 or 1 | -150Lxx, -185Lxx, and -220Lxx models |
| Capacitor bank | CB | 1 | 1 | All models |

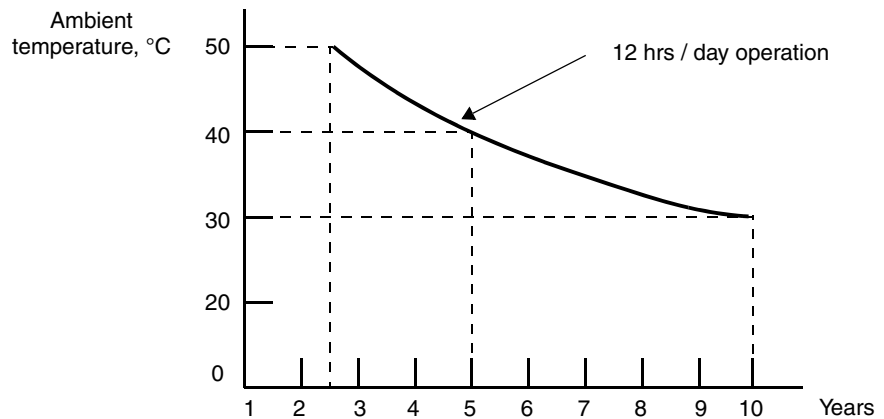
Capacitor Life Curve

The DC bus inside the inverter uses a large capacitor as shown in the diagram below. The capacitor handles high voltage and current as it smooths the power for use by the inverter. So, any degradation of the capacitor will affect the performance of the inverter. The capacitor bank in SJ300 series inverters is replaceable. This section will show you how to replace it in the field.



Capacitor life is reduced in higher ambient temperatures, as the graph below demonstrates. Be sure to keep the ambient temperature at acceptable levels, and perform maintenance inspections on the fan, heat sink, and other components. If the inverter is installed on a cabinet, the ambient temperature is the temperature inside the cabinet.

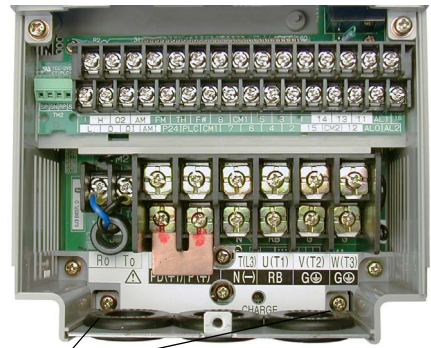
Capacitor Life Curve



Capacitor Replacement

The capacitor bank consists of an assembly that slides out of the SJ300 unit. This means that no soldering is required!

1. First, make sure that all power is removed from the unit, and that you have waited 5 minutes before accessing the wiring area. Then you'll need to remove the metal wire entry plate located at the bottom of the unit. This may require you to disconnect all wires to the power terminals. Then, just loosen the screws as shown, and slide the wire entry plate outward on its guides to remove.

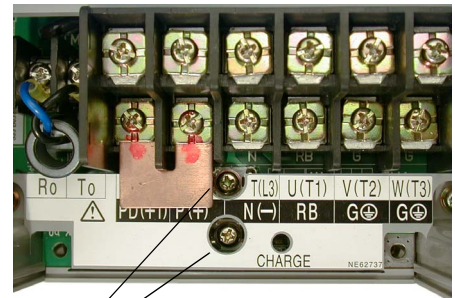


Retention screws for wire entry plate



WARNING: The screws that retain the capacitor bank assembly are part of the electrical circuit of the high-voltage internal DC bus. Be sure that all power has been disconnected from the inverter, and that you have waited at least 5 minutes before accessing the terminals or screws. Be sure the charge lamp is extinguished. Otherwise, there is the danger of electrocution to personnel.

2. The capacitor bank assembly is locked into the inverter via two screws that also make the electrical connection to the internal DC bus. These two screws are accessible just below the power terminals as shown to the right.



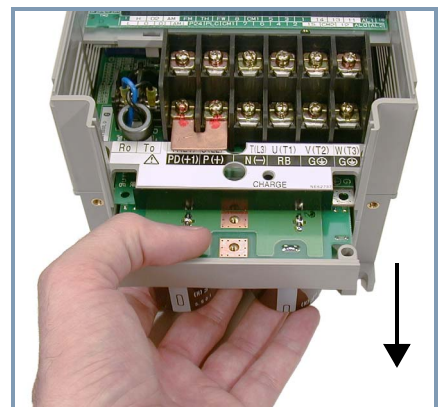
Retention screws for capacitor bank

3. Grasp the capacitor bank assembly and gently slide it out of the unit as shown to the right. DO NOT try to force the removal; it will slide out easily if all the screws in the steps above have been removed.

4. Then slide in the new unit and replace all the screws removed in steps 1) and 2).



CAUTION: Do not operate the inverter unless you have replaced the two screws that connect the capacitor bank assembly to the internal DC bus. Otherwise, damage to the inverter may occur.

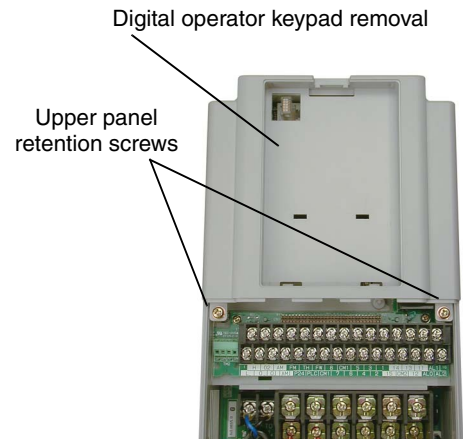


Pull capacitor bank assembly outward from SJ300 unit to remove

Fan Assembly Replacement

The SJ300 Series inverters have field-replaceable fan units. They include an internal connector for easy removal and replacement. You will need to remove the front panel covers to remove the fan assembly. First, be sure to remove power from the unit and wait at least 5 minutes before accessing the wiring area.

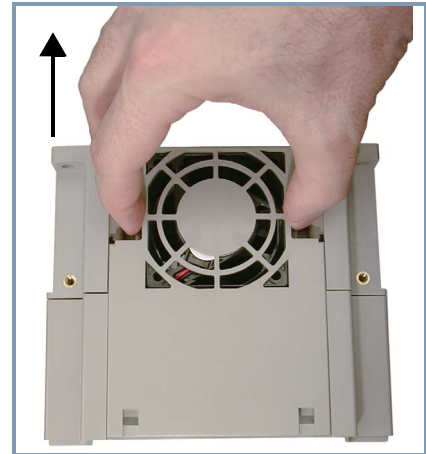
1. Remove the digital operator from the front panel. Then remove the bottom front panel to expose the wiring area as shown. This will also expose the retention screws for the top front panel. Remove these screws, which will allow the front panel to hinge upward and unfasten from the unit.



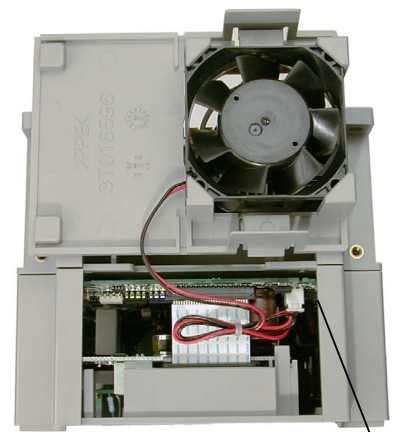
2. After removing all front panel pieces, locate the thumb latches in the top of the inverter housing. Grasp and push the releases inward as shown to the right, and gently pull upward to remove the fan assembly.



CAUTION: Remove the fan assembly carefully, since it is attached to the unit via connecting wires.



3. After unfastening the fan assembly, turn it over to expose the connecting wires. Then locate the PWB connector as shown. Disconnect the wiring.
4. Connect the new fan assembly wiring. The polarized plug will ensure a proper connection.
5. Snap the replacement fan into place.
6. Replace all front panel pieces and retention screws.



PWB connector for fan assembly wiring

General Inverter Electrical Measurements

The following table specifies how to measure key system electrical parameters. The diagrams on the next page show inverter-motor systems and the location of measurement points for these parameters.

| Parameter | Circuit location of measurement | Measuring instrument | Notes | Reference Value |
|----------------------------|--|--|----------------------------------|---|
| Supply voltage E_1 | E_R – across L1 and L2 E_S – across L2 and L3 E_T – across L3 and L1 | Moving-coil type voltmeter or rectifier type voltmeter | Fundamental wave effective value | Commercial supply voltage (200V class) 200-240V, 50/60 Hz 400V class 380-460V, 50/60 Hz |
| Supply current I_1 | I_R – L1, I_S – L2, I_T – L3 | Moving-coil type ammeter | Total effective value | — |
| Supply power W_1 | W_{11} – across L1 and L2 W_{12} – across L2 and L3 | Electronic type wattmeter | Total effective value | — |
| Supply power factor Pf_1 | $Pf_1 = \frac{W_1}{\sqrt{3} \times E_1 \times I_1} \times 100\%$ | | | — |
| Output voltage E_0 | E_U – across U and V E_V – across V and W E_W – across W and U | Rectifier type voltmeter | Total effective value | — |
| Output current I_0 | I_U – U I_V – V I_W – W | Moving-coil type ammeter | Total effective value | — |
| Output power W_0 | W_{01} – across U and V W_{02} – across V and W | Electronic type wattmeter | Total effective value | — |
| Output power factor Pf_0 | Calculate the output power factor from the output voltage E, output current I, and output power W. $Pf_0 = \frac{W_0}{\sqrt{3} \times E_0 \times I_0} \times 100\%$ | | | — |

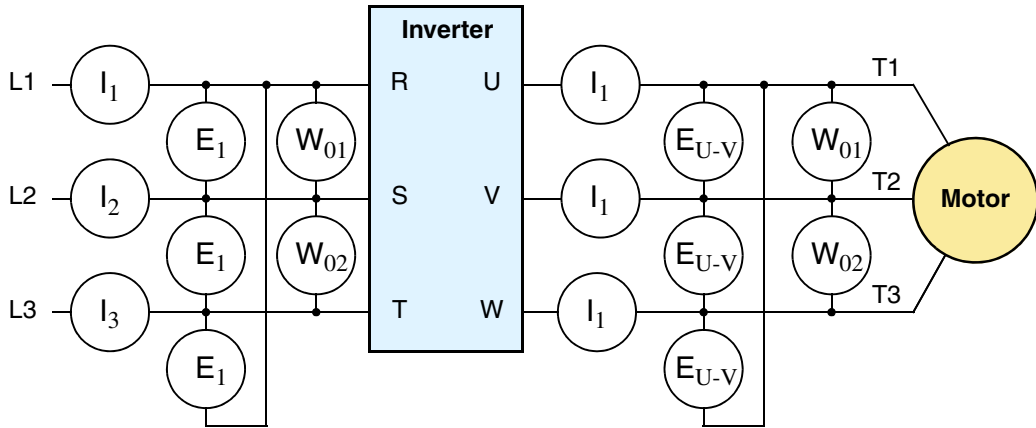
Note 1: Use a meter indicating a fundamental wave effective value for voltage, and meters indicating total effective values for current and power.

Note 2: The inverter output has a distorted waveform, and harmonic frequencies may cause erroneous readings. However, the measuring instruments and methods listed above provide reasonably accurate results.

Note 3: A general-purpose digital volt meter (DVM) is not usually suitable to measure a distorted waveform (not pure sinusoid).

The figure below shows measurement locations for voltage, current, and power measurements listed in the table on the previous page. The voltage to be measured is the fundamental wave effective voltage. The power to be measured is the total effective power.

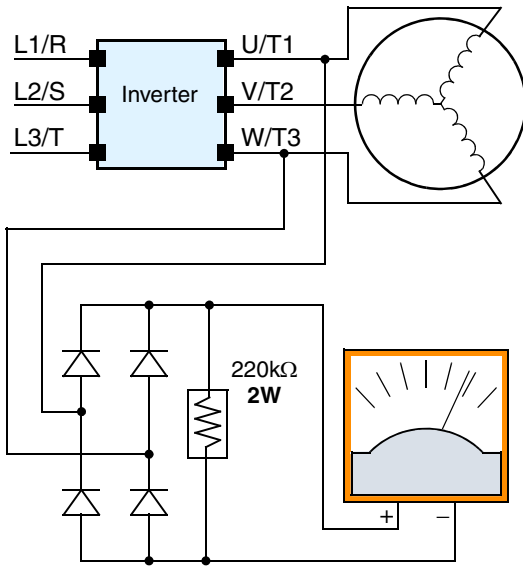
Three-phase measurement diagram



Inverter Output Voltage Measurement Techniques

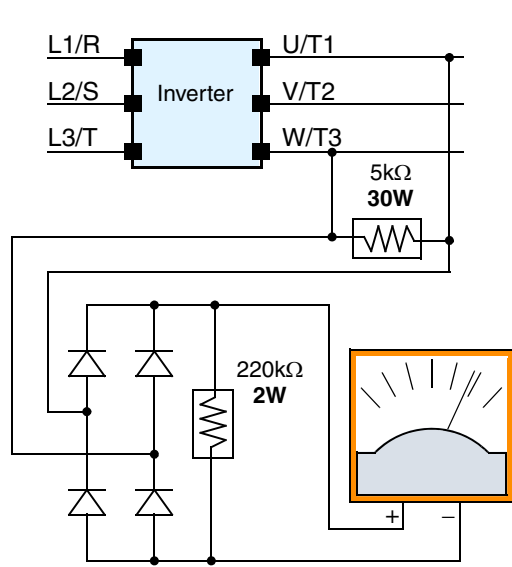
Taking voltage measurements around drives equipment requires the right equipment and a safe approach. You are working with high voltages and high-frequency switching waveforms that are not pure sinusoids. Digital voltmeters will not usually produce reliable readings for these waveforms. And, it is usually risky to connect high voltage signals to oscilloscopes. The inverter output semiconductors have some leakage, and no-load measurements produce misleading results. So, we highly recommend using the following circuits to measure voltage for performing the equipment inspections.

Voltage measurement *with load*



| V class | Diode bridge | Voltmeter |
|------------|------------------|------------|
| 200V class | 600V 0.01A min. | 300V range |
| 400V class | 1000V 0.1 A min. | 600V range |

Voltage measurement *without load*



| V class | Diode bridge | Voltmeter |
|------------|------------------|------------|
| 200V class | 600V 0.01A min. | 300V range |
| 400V class | 1000V 0.1 A min. | 600V range |



HIGH VOLTAGE: Be careful not to touch wiring or connector terminals when working with the inverters and taking measurements. Be sure to place the measurement circuitry above in an insulated housing before using them.

IGBT Test Method The following procedure will check the inverter transistors (IGBTs) and diodes:

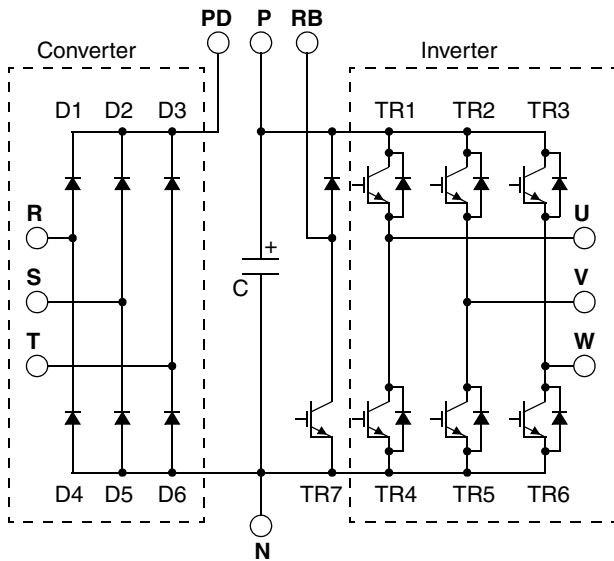
1. Disconnect input power to terminals [R, S, and T] and motor terminals [U, V, and W].
2. Disconnect any wires from terminals [P] and [RB] for regenerative braking.
3. Use a Digital Volt Meter (DVM) and set it for 1 ohm resistance range. You can check the status of the charging state of terminals [R, S, T, U, V, W, RB, P, and N] of the inverter and the probe of the DVM by measuring the charging state.

Almost infinite ohms = “non-conducting,” and 0 to 10 ohms = “conducting.”



NOTE: The resistance values for the diodes or the transistors will not be exactly the same, but they will be close. If you find a significance difference, a problem may exist.

NOTE: Before measuring the voltage between [P] and [N] with the DC current range, confirm that the smoothing capacitor is discharged fully, then execute the tests.



| Circuit Type | | DVM Probe | | Measured Value |
|-----------------------------|-----|-----------|----|----------------|
| | | + | - | |
| Converter | D1 | R | PD | Non-conducting |
| | | PD | R | Conducting |
| | D2 | S | PD | Non-conducting |
| | | PD | S | Conducting |
| | D3 | T | PD | Non-conducting |
| | | PD | T | Conducting |
| | D4 | R | N | Conducting |
| | | N | R | Non-conducting |
| | D5 | S | N | Conducting |
| | | N | S | Non-conducting |
| | D6 | T | N | Conducting |
| | | N | T | Non-conducting |
| Inverter | TR1 | U | P | Non-conducting |
| | | P | U | Conducting |
| | TR2 | V | P | Non-conducting |
| | | P | V | Conducting |
| | TR3 | W | P | Non-conducting |
| | | P | W | Conducting |
| | TR4 | U | N | Conducting |
| | | N | U | Non-conducting |
| | TR5 | V | N | Conduct |
| | | N | V | Non-conducting |
| | TR6 | W | N | Conducting |
| | | N | W | Non-conducting |
| Dynamic Braking (0.4kW-1kW) | TR7 | RB | P | Non-conducting |
| | | P | RB | Conducting |
| | | RB | N | Non-conducting |
| | | N | RB | Non-conducting |

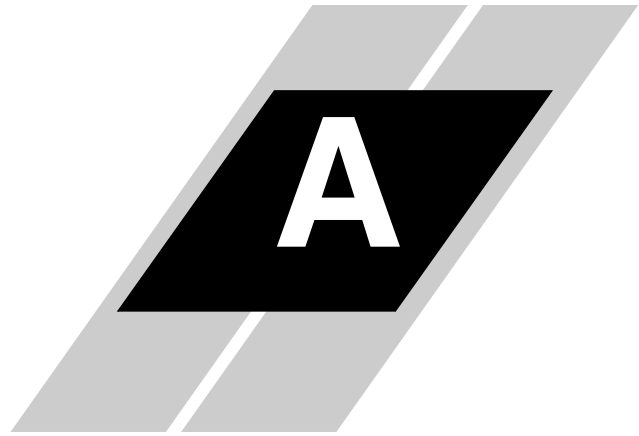
Warranty

Warranty Terms

The warranty period under normal installation and handling conditions shall be two (2) years from the date of manufacture ("DATE" on product nameplate), or one (1) year from the date of installation, whichever occurs first. The warranty shall cover the repair or replacement, at Hitachi's sole discretion, of ONLY the inverter that was installed.

1. Service in the following cases, even within the warranty period, shall be charged to the purchaser:
 - a. Malfunction or damage caused by mis-operation or modification or improper repair
 - b. Malfunction or damage caused by a drop after purchase and transportation
 - c. Malfunction or damage caused by fire, earthquake, flood, lightning, abnormal input voltage, contamination, or other natural disasters
2. When service is required for the product at your work site, all expenses associated with field repair shall be charged to the purchaser.
3. Always keep this manual handy; please do not lose it. Please contact your Hitachi distributor to purchase replacement or additional manuals.

Glossary and Bibliography



| In This Appendix.... | page |
|--------------------------------------|-------------------|
| — Glossary | 2 |
| — Bibliography | 6 |

Glossary

- Ambient Temperature** The air temperature in the chamber containing a powered electronic unit. A unit's heat sinks rely on a lower ambient temperature in order to dissipate heat away from sensitive electronics.
- Arrival Frequency** The arrival frequency refers to the set output frequency of the inverter for the constant speed setting. The arrival frequency feature turns ON an output when the inverter reaches the set constant speed. The inverter has various arrival frequencies and pulsed or latched logic options.
- Auto-tuning** The ability of a controller to execute a procedure that interacts with a load to determine the proper coefficients to use in the control algorithm. Auto-tuning is a common feature of process controllers with PID loops. Hitachi inverters feature auto-tuning to determine motor parameters for optimal commutation. Auto-tuning is available as a special command from a digital operator panel. See also *digital operator panel*.
- Base Frequency** The power input frequency for which an AC induction motor is designed to operate. Most motors will specify a 50 to 60 Hz value. The Hitachi inverters have a programmable base frequency, so you must ensure that parameter matches the attached motor. The term *base frequency* helps differentiate it from the carrier frequency. See also *carrier frequency* and *frequency setting*.
- Braking Resistor** An energy-absorbing resistor that dissipates energy from a decelerating load. Load inertia causes the motor to act as a generator during deceleration. See also *four-quadrant operation* and *dynamic braking*.
- Break-away Torque** The torque a motor must produce to overcome the static friction of a load in order to start the load moving.
- Carrier Frequency** The frequency of the constant, periodic, switching waveform that the inverter modulates to generate the AC output to the motor. See also *PWM*.
- CE** A regulatory agency for governing the performance of electronic products in Europe. Drive installations designed to have CE approval must have particular filter(s) installed in the application.
- Choke** An inductor that is tuned to react at radio frequencies is called a "choke," since it attenuates (chokes) frequencies above a particular threshold. Tuning is often accomplished by using a movable magnetic core. In variable-frequency drive systems, a choke positioned around high-current wiring can help attenuate harmful harmonics and protect equipment. See also *harmonics*.
- DC Braking** The inverter DC braking feature stops the AC commutation to the motor, and sends a DC current through the motor windings in order to stop the motor. Also called "DC injection braking," it has little effect at high speed, and is used as the motor is nearing a stop.
- DC Link** The portion of the variable frequency drive between the input rectifiers and the output stages. It delivers smoothed DC power to the control and output stages of the drive.
- Deadband** In a control system, the range of input change for which there is no perceptible change in the output. In PID loops, the error term may have a deadband associated with it. Deadband may or may not be desirable; it depends on the needs of the application.
- Digital Operator Panel** For Hitachi inverters, "digital operator panel" (DOP) refers first to the operator keypad on the front panel of the inverter. It also includes hand-held remote keypads, which connect to the inverter via a cable. Finally, the DOP Professional is a PC-based software simulation of the keypad devices.

| | |
|--------------------------------|---|
| Diode | A semiconductor device that has a voltage-current characteristic that allows current to flow only in one direction, with negligible leakage current in the reverse direction. See also <i>rectifier</i> . |
| Duty Cycle | 1. The percent of time a square wave of fixed frequency is ON (high) versus OFF (low). 2. The ratio of operating time of a motor, braking resistor, etc. to its resting time. This parameter usually is specified in association with the allowable thermal rise for the device. |
| Dynamic Braking | The inverter dynamic braking feature shunts the motor-generated EMF energy into a special braking resistor. The added dissipation (braking torque) is effective at higher speeds, having a reduced effect as the motor nears a stop. |
| Error | In process control, the error is the difference between the desired value or setpoint (SP) and the actual value of a the process variable (PV). See also <i>process variable</i> and <i>PID Loop</i> . |
| EMI | Electromagnetic Interference - In motor/drive systems, the switching of high currents and voltages creates the possibility of generating radiated electrical noise that may interfere with the operation of nearby sensitive electrical instruments or devices. Certain aspects of an installation, such as long motor lead wire lengths, tend to increase the chance of EMI. Hitachi provides accessory filter components you can install to decrease the level of EMI. |
| Four-quadrant operation | Referring to a graph of torque versus speed, a four-quadrant drive can turn the motor either forward or reverse, as well as decelerate in either direction (see also <i>reverse torque</i>). A load that has a relatively high inertia and must move in both directions and change directions rapidly requires four-quadrant capability from its drive. |
| Free-run Stop | A method of stopping a motor, caused when the inverter simply turns OFF its motor output connections. This may allow the motor and load to coast to a stop, or a mechanical brake may intervene and shorten the deceleration time. |
| Frequency Setting | While frequency has a broad meaning in electronics, it typically refers to motor speed for variable-frequency drives (inverters). This is because the output frequency of the inverter is variable, and is proportional to the attained motor speed. For example, a motor with a base frequency of 60 Hz can be speed controlled with an inverter output varying from 0 to 60 Hz. See also <i>base frequency</i> , <i>carrier frequency</i> , and <i>slip</i> . |
| Harmonics | A <i>harmonic</i> is a whole number multiple of a base of fundamental frequency. The square waves used in inverters produce high-frequency harmonics, even though the main goal is to produce lower-frequency sine waves. These harmonics can be harmful to electronics (including motor windings) and cause radiated energy that interferes with nearby electronic devices. Chokes, line reactors, and filters are sometimes used to suppress the transmission of harmonics in an electrical system. See also <i>choke</i> . |
| Horsepower | A unit of physical measure to quantify the amount of work done per unit of time. You can directly convert between horsepower and Watts as measurements of power. |
| IGBT | Insulated Gate Bipolar Transistor (IGBT) - A semiconductor transistor capable of conducting very large currents when in saturation and capable of withstanding very high voltages when it is OFF. This high-power bipolar transistor is the type used in Hitachi inverters. |
| Inertia | The natural resistance of an object to being accelerated or decelerated by an external force. See also <i>momentum</i> . |
| Intelligent Terminal | A configurable input or output logic function on the Hitachi inverters. Each terminal may be assigned one of several functions. |
| Inverter | A device that electronically changes DC to AC current through a alternating process of switching the input to the output, inverted and non-inverted. A variable speed drive such as the Hitachi SJ300 is also called an inverter, since it contains three inverter circuits to generate 3-phase output to the motor. |

| | |
|-------------------------------|--|
| Isolation Transformer | A transformer with 1:1 voltage ratio that provides electrical isolation between its primary and secondary windings. These are typically used on the power input side of the device to be protected. An isolation transformer can protect equipment from a ground fault or other malfunction of nearby equipment, as well as attenuate harmful harmonics and transients on the input power. |
| Jogging Operation | Usually done manually, a jog command from an operator's panel requests the motor/drive system to run indefinitely in a particular direction, until the machine operator ends the jog operation. |
| Jump Frequency | A jump frequency is a point on the inverter output frequency range that you want the inverter to skip around. This feature may be used to avoid a resonant frequency, and you can program up to three jump frequencies in the inverter. |
| Line Reactor | A three-phase inductor generally installed in the AC input circuit of an inverter to minimize harmonics and to limit short-circuit current. |
| Momentum | The physical property of a body in motion that causes it to continue to remain in motion. In the case of motors, the rotor and attached load are rotating and possess angular momentum. |
| Multi-speed Operation | The ability of a motor drive to store preset discrete speed levels for the motor, and control motor speed according to the currently selected speed preset. The Hitachi inverters have 16 preset speeds. |
| Motor Load | In motor terminology, motor load consists of the inertia of the physical mass that is moved by the motor and the related friction from guiding mechanisms. See also <i>inertia</i> . |
| NEC | The National Electric Code is a regulatory document that governs electrical power and device wiring and installation in the United States. |
| NEMA | The National Electric Manufacturer's Association. NEMA Codes are a published series of device ratings standards. Industry uses these to evaluate or compare the performance of devices made by various manufacturers to a known standard. |
| Open-collector Outputs | A common logic-type discrete output that uses an NPN transistor that acts as a switch to a power supply common, usually ground. The transistor's <i>collector</i> is <i>open</i> for external connection (not connected internally). Thus, the output <i>sinks</i> external load current to ground. |
| Orientation | When using the expansion card SJ-FB with encoder feedback, the orientation feature is available. Also called <i>home search</i> in motion terminology, you can specify a search direction and a stop position. Typically the orientation procedure is necessary after each inverter powerup. |
| Power Factor | A ratio that expresses a phase difference (timing offset) between current and voltage supplied by a power source to a load. A perfect power factor = 1.0 (no phase offset). Power factors less than one cause some energy loss in power transmission wiring (source to load). |
| PID Loop | Proportional-Integral-Derivative – a mathematical model used for process control. A process controller maintains a process variable (PV) at a setpoint (SP) by using its PID algorithm to compensate for dynamic conditions and varies its output to drive the PV toward the desired value. See also <i>error</i> . |
| Process Variable | A physical property of a process that is of interest because it affects the quality of the primary task accomplished by the process. For an industrial oven, temperature is the process variable. See also <i>PID Loop</i> and <i>error</i> . |
| PWM | Pulse-width modulation: A type of AC adjustable frequency drive that accomplishes frequency and voltage control at the output section (inverter) of the drive. The drive output voltage waveform is at a constant amplitude, and by "chopping" the waveform (pulse-width-modulating), the average voltage is controlled. The chopping frequency is sometimes called the <i>carrier frequency</i> . |

| | |
|----------------------------------|--|
| Reactance | The impedance of inductors and capacitors has two components. The resistive part is constant, while the reactive part changes with applied frequency. These devices have a complex impedance (complex number), where the resistance is the real part and the reactance is the imaginary part. |
| Rectifier | An electronic device made of one or more diodes that converts AC power into DC power. Rectifiers are usually used in combination with capacitors to filter (smooth) the rectified waveform to closely approximate a pure DC voltage source. |
| Regenerative Braking | A particular method of generating reverse torque to a motor, an inverter will switch internally to allow the motor to become a generator and will either store the energy internally, deliver the braking energy back to the main power input, or dissipate it with a resistor. |
| Regulation | The quality of control applied to maintain a parameter of interest at a desired value. Usually expressed as a percent (+/-) from the nominal, motor regulation usually refers to its shaft speed. |
| Reverse Torque | The torque applied in the direction opposite to motor shaft rotation. As such, reverse torque is a decelerating force on the motor and its external load. |
| Rotor | The windings of a motor that rotate, being physically coupled to the motor shaft. See also <i>stator</i> . |
| Saturation Voltage | For a transistor semiconductor device, it is in saturation when an increase in input current no longer results in an increase in the output current. The saturation voltage is the voltage drop across the device. The ideal saturation voltage is zero. |
| Sensorless Vector Control | A technique used in variable-frequency drives to rotate the force vector in the motor without the use of a shaft position sensor (angular). Benefits include an increase in torque at the lowest speed and the cost savings from the lack of a shaft position sensor. |
| Setpoint (SP) | The setpoint is the desired value of a process variable of interest. See also <i>Process Variable (PV)</i> and <i>PID Loop</i> . |
| Single-phase Power | An AC power source consisting of Hot and Neutral wires. An Earth Ground connection usually accompanies them. In theory, the voltage potential on Neutral stays at or near Earth Ground, while Hot varies sinusoidally above and below Neutral. This power source is named Single Phase to differentiate it from three-phase power sources. Some Hitachi inverters can accept single phase input power, but they all output three-phase power to the motor. See also <i>three-phase</i> . |
| Slip | The difference between the theoretical (synchronous) speed of a motor at no load (determined by its inverter output waveforms) and the actual speed. Some slip is essential in order to develop torque to the load, but too much will cause excessive heat in the motor windings and/or cause the motor to stall. |
| Squirrel Cage | A “nick-name” for the appearance of the rotor frame assembly for an AC induction motor. |
| Stator | The windings in a motor that are stationary and coupled to the power input of the motor. See also <i>rotor</i> . |
| Start Frequency | The output frequency that the inverter first produces as the frequency command setting increases from zero. The start frequency is programmable, and is important to set properly for the load, etc. |
| Tachometer | 1. A signal generator usually attached to the motor shaft for the purpose of providing feedback to the speed controlling device of the motor. 2. A speed-monitoring test meter that may optically sense shaft rotation speed and display it on a readout. |

Thermal Switch

An electromechanical safety device that opens to stop current flow when the temperature at the device reaches a specific temperature threshold. Thermal switches are sometimes installed in the motor in order to protect the windings from heat damage. The inverter can use thermal switch signals to trip (shut down) if the motor overheats. See also *trip*.

Thermistor

A type of temperature sensor that changes its resistance according to its temperature. The sensing range of thermistors and their ruggedness make them ideal for motor overheating detection. Hitachi inverters have built-in thermistor input circuits, which can detect an overheated motor and shut OFF (trip) the inverter output.

Three-phase Power

An AC power source with three Hot connections that have phase offsets of 120 degrees is a 3-phase power source. Usually, Neutral and Earth Ground wires accompany the three Hot connections. Loads may be configured in a delta or Y configuration. A Y-connected load such as an AC induction motor will be a balanced load; the currents in all the Hot connections are the same. Therefore, the Neutral connection is theoretically zero. This is why inverters that generate 3-phase power for motors do not generally have a Neutral connection to the motor. However, the Earth Ground connection is important for safety reasons, and is provided.

Torque

A measure of rotational force. The units of measurement are the product of the distance (radius from shaft center axis) and force (weight) applied at that distance. Units are usually given as pound-feet, ounce-inches, or Newton-meters.

Transistor

A solid state, three-terminal device that provides amplification of signals and can be used for switching and control. While transistors have a linear operating range, inverters use them as high-powered switches. Recent developments in power semiconductors have produced transistors capable of handling high voltages and currents, all with high reliability. The saturation voltage has been decreasing, resulting in less heat dissipation. Hitachi inverters use state-of-the-art semiconductors to provide high performance and reliability in a compact package. See also *IGBT* and *saturation voltage*.

Trip

An event that causes the inverter to stop operation is called a “trip” event (as in *tripping* a circuit breaker). The inverter keeps a history log of trip events. They also require an action to clear.

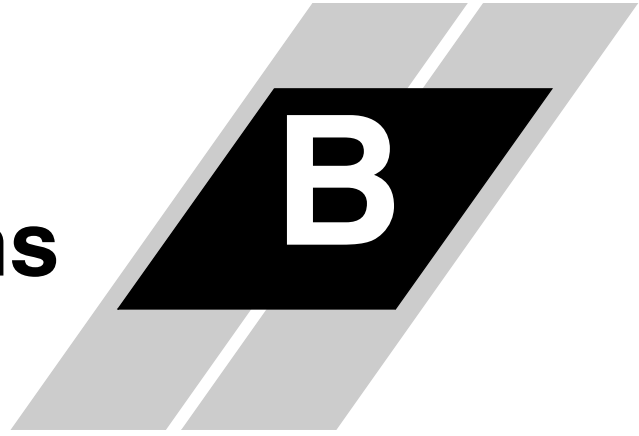
Watt Loss

A measure of the internal power loss of a component, the difference between the power it consumes and what its output delivers. An inverter’s watt loss is the input power minus the power delivered to the motor. The watt loss is typically highest when an inverter is delivering its maximum output. Therefore, watt loss is usually specified for a particular output level. Inverter watt loss specifications are important when designing enclosures.

Bibliography

| Title | Author and Publisher |
|--|--|
| Variable Speed Drive Fundamentals, 2nd Ed. | Phipps, Clarence A. The Fairmont Press, Inc. / Prentice-Hall, Inc. 1997 ISBN 0-13-636390-3 |
| Electronic Variable Speed Drives | Brumbach, Michael E. Delmar Publishers 1997 ISBN 0-8273-6937-9 |
| Hitachi Inverter Technical Guide Book | Published by Hitachi, Ltd. Japan 1995 Publication SIG-E002 |

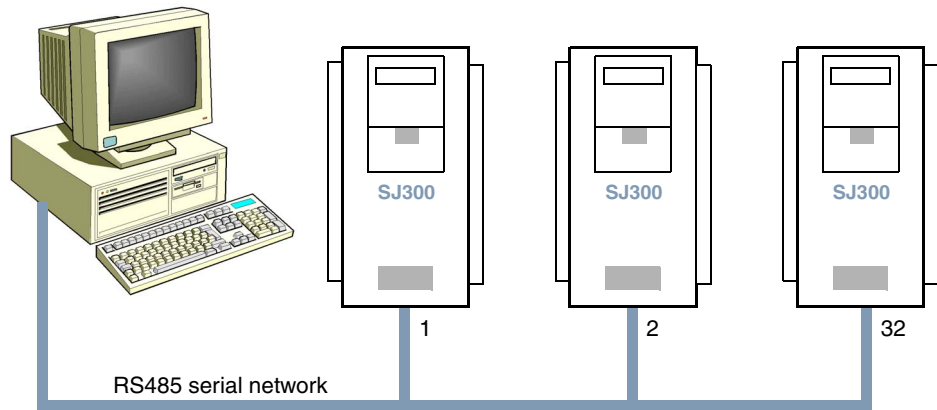
Serial Communications



| In This Appendix.... | page |
|--|--------------------|
| — Introduction | 2 |
| — Communications Protocol | 5 |
| — Communications Reference Information | 17 |

Introduction

SJ300 inverters have a built-in RS485 serial communications interface. This serial communications function provides a way of controlling from 1 to 32 inverters on a common serial network. In a typical application, a host computer or controller is the master and each of the inverter(s) is a slave, as shown in the figure below.

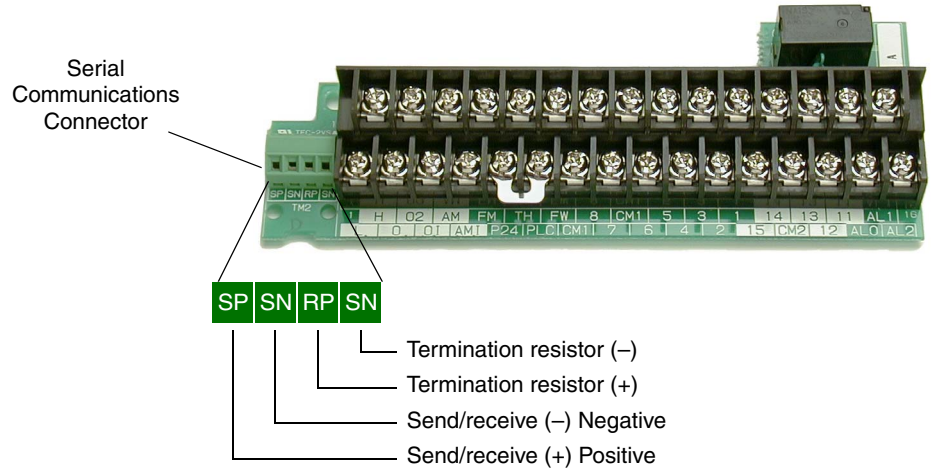


The specifications for SJ300 Series RS485 serial communications are in the following table:

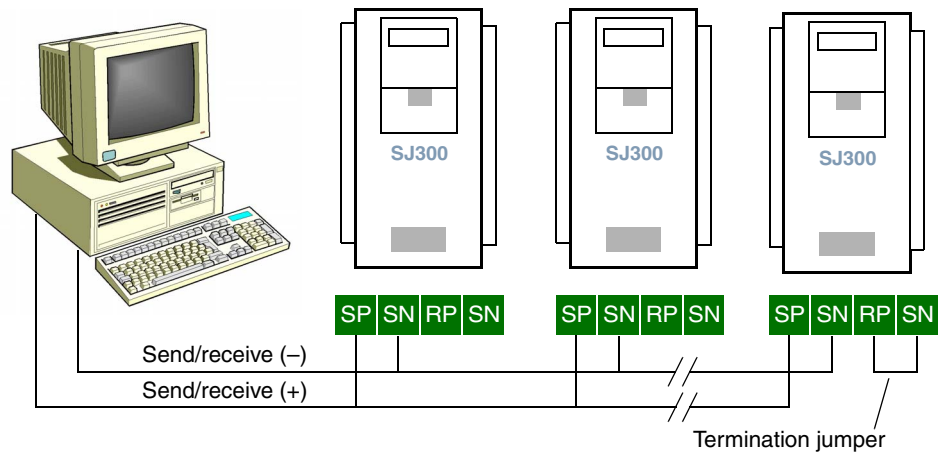
| Item | Specifications | User-selectable |
|------------------------|--|-----------------|
| Transmission speed | 2400 / 4800 / 9600 / 19200 bps | ✓ |
| Communication modes | Half duplex (one device transmits at a time) | ✗ |
| Synchronization | Direct current transmission | ✗ |
| Character code | ASCII codes | ✗ |
| LSB placement | Transmits LSB first | ✗ |
| Electrical interface | RS485 differential transceiver | ✗ |
| Data bits | 7 or 8 bits | ✓ |
| Parity | None / even / odd | ✓ |
| Stop bits | 1 or 2 bits | ✓ |
| Start convention | One-way start from host device command | ✗ |
| Wait time for response | 10 to 1000 ms | ✓ |
| Connections | Station address numbers from 1 to 32 | ✓ |
| Error check | Overrun / Fleming block check code / vertical or horizontal parity | ✗ |

Serial Connection Diagrams

The serial connector is to the left of the control logic connector as shown below:



Each device requires just two connections for data transmission and reception. Additionally, the device at each physical end of the wiring requires a termination resistor. The SJ300 has built-in termination resistors that become part of the circuit when you add a jumper as shown.



TIP: Each slave device on the serial network must have a unique node address, set by parameter C072. If this is a new application, we recommend connecting one new device at a time and checking the communications after each addition.

Serial Network Parameter Settings

Several parameter settings are necessary to configure serial communications, listed below.

| Function Code | Item | Value | Description |
|---------------|---------------------|-------------|--|
| C070 | Data command source | 02 | Digital operator |
| | | 03 | RS485 connector |
| | | 04 | Expansion card #1 |
| | | 05 | Expansion card #2 |
| C071 | Baud rate | 02 | Loop-back test |
| | | 03 | 2400 bps |
| | | 04 | 4800 bps |
| | | 05 | 9600 bps |
| | | 06 | 19200 bps |
| C072 | Node address | 1 to 32, FF | 1 to 32 – Node or station address (unique to each inverter or device) FF – Automatic broadcast (to all nodes on transmit, allowed only on certain commands (refer to each command description in this appendix) |
| C073 | Data bits | 07 | 7 bits |
| | | 08 | 8 bits |
| C074 | Parity | 00 | none |
| | | 01 | Even parity |
| | | 02 | Odd parity |
| C075 | Stop bits | 01 | 1 bit |
| | | 02 | 2 bits |
| C078 | Wait time | 0 to 1000 | 0 to 1000 ms time that the inverter waits to respond to network master |

For inverters on the same network, some settings must match from inverter to inverter. These include:

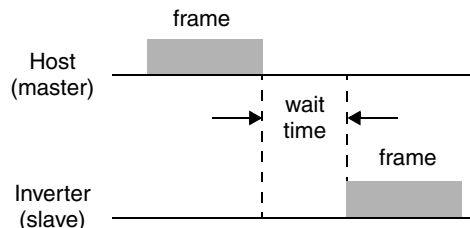
- Baud rate
- Data bits
- Parity
- Stop bits

However, the node address on each inverter must be unique, used only once on the network.

Communications Protocol

Introduction to Command List

The network master sends a frame to initiate communications with a slave, as shown in the figure to the right. After the set waiting time (per parameter C078, the inverter responds.



The following table lists the commands, single-character codes sent to a particular device on the network.

| Command Code | Description | User-selectable |
|--------------|---|-----------------|
| 00 | Forward / Reverse / Stop command | ✓ |
| 01 | Setting of frequency in standard profile | ✓ |
| 02 | Setting of intelligent terminal state | ✓ |
| 03 | Read all monitor data (block read) | — |
| 04 | Read inverter status | — |
| 05 | Read trip history | — |
| 06 | Read a single parameter value | — |
| 07 | Write a single parameter value | ✓ |
| 08 | Set inverter parameters to default values | ✓ |
| 09 | Verifies that the requested setting can be written to EEPROM. | — |
| 0A | Writes a parameter value to EEPROM | ✓ |
| 0B | Requests the recalculation of internal constant | ✓ |



NOTE: Use of command 08 – set inverter parameters to default values first requires setting the initialization mode parameter B084 to 01 (initializes parameters only) or 02 (initializes parameters and clears the trip history).

Command – 00

The 00 command controls the Forward, Reverse and Stop mode of the inverter. You must set parameter A002=03 in order for serial communications control of the inverter to apply.

The frame format of command 00 follows the timing diagram and specification table. Frame format

| | | | | | |
|-----|------|---------|------|-----|------|
| STX | Node | Command | Data | BCC | [CR] |
|-----|------|---------|------|-----|------|

| Element | Description | Size | Value |
|---------|------------------------------------|---------|---|
| STX | Control code (STArT of TeXt) | 1 byte | STX (0x02) |
| Node | Node (station) address of inverter | 2 bytes | 01 to 32, and FF (broadcast to all nodes) |
| Command | Transmission command | 2 bytes | 00 |
| Data | Transmission data | 1 byte | 00 = Stop command 01 = Forward command 02 = Reverse command |
| BCC | Block check sum code | 2 bytes | Exclusive OR of Node, Command, and Data |
| [CR] | Control code (carriage return) | 1 byte | [CR] (0x0D) |

The example below shows a transmission to the inverter at address Node 1 to rotate the motor in the forward direction.

(STX) | 01 | 00 | 1 | (BCC) | [CR] → to ASCII → 02 | 30 31 | 30 30 | 31 | 33 30 | 0D

Command – 01

The 01 command sets the output frequency for the standard profile. You must set parameter A002=03 in order for serial communications control of the inverter to apply.

The frame format of command 01 follows the timing diagram and specification table. Frame format

| | | | | | |
|-----|------|---------|------|-----|------|
| STX | Node | Command | Data | BCC | [CR] |
|-----|------|---------|------|-----|------|

| Element | Description | Size | Value |
|---------|------------------------------------|---------|--|
| STX | Control code (STArT of TeXt) | 1 byte | STX (0x02) |
| Node | Node (station) address of inverter | 2 bytes | 01 to 32, and FF (broadcast to all nodes) |
| Command | Transmission command | 2 bytes | 01 |
| Data | Transmission data | 6 bytes | ASCII code for ten times the frequency (accommodates two decimal places) |
| BCC | Block check sum code | 2 bytes | Exclusive OR of Node, Command, and Data |
| [CR] | Control code (carriage return) | 1 byte | [CR] (0x0D) |

The example below shows a transmission to the inverter at address Node 1 to set the output frequency for 5 Hz. We use a value of 500 in ASCII to represent 5.00 Hz.

(STX) | 01 | 01 | 000500 | (BCC) | [CR] → to ASCII → 02 | 30 31 | 30 31 | 30 30 30 35 30 30 | 30 35 | 0D

Command – 02

The 02 command sets the logic state of the intelligent input terminals.

The frame format of command 02 follows the **Frame format** timing diagram and specification table.

| | | | | | |
|-----|------|---------|------|-----|------|
| STX | Node | Command | Data | BCC | [CR] |
|-----|------|---------|------|-----|------|

| Element | Description | Size | Value |
|---------|------------------------------------|----------|---|
| STX | Control code (SStart of TeXt) | 1 byte | STX (0x02) |
| Node | Node (station) address of inverter | 2 bytes | 01 to 32, and FF (broadcast to all) |
| Command | Transmission command | 2 bytes | 02 |
| Data | Transmission data | 16 bytes | (see table below) |
| BCC | Block check sum code | 2 bytes | Exclusive OR of Node, Command, and Data |
| [CR] | Control code (carriage return) | 1 byte | [CR] (0x0D) |

The 16-byte data string is specified in the following table:

| Data (Hex) | Description | Data (Hex) | Description |
|------------------|-----------------------------------|-----------------|---------------------------------------|
| 0000000000000001 | [FW] Forward command | 000000001000000 | [PIDC] PID integrator reset |
| 0000000000000002 | [RV] Reverse command | 000000002000000 | — |
| 0000000000000004 | [CF1] Multi-speed 1 | 000000004000000 | [CAS] control gain switching function |
| 0000000000000008 | [CF2] Multi-speed 2 | 000000008000000 | [UP] remote control increment speed |
| 0000000000000010 | [CF3] Multi-speed 3 | 000000001000000 | [DWN] remote control decrement speed |
| 0000000000000020 | [CF4] Multi-speed 4 | 000000002000000 | [UDC] remote control clear up/down |
| 0000000000000040 | [JG] Jog operation | 000000004000000 | — |
| 0000000000000080 | [DB] Dynamic braking | 000000008000000 | [OPE] Force from operator terminal |
| 0000000000000100 | [SET] set 2nd motor | 000000010000000 | [SF1] Multi-speed bit-level |
| 0000000000000200 | [2CH] 2-stage adjustable speed | 000000020000000 | [SF2] Multi-speed bit-level |
| 0000000000000400 | — | 000000040000000 | [SF3] Multi-speed bit-level |
| 0000000000000800 | [FRS] Free-run stop | 000000080000000 | [SF4] Multi-speed bit-level |
| 0000000000001000 | [EXP] External trip | 000000100000000 | [SF5] Multi-speed bit-level |
| 0000000000002000 | [USP] Unattended start protection | 000000200000000 | [SF6] Multi-speed bit-level |
| 0000000000004000 | [CS] Commercial power change | 000000400000000 | [SF7] Multi-speed bit-level |
| 0000000000008000 | [SFT] Software lock | 000000800000000 | [OLR] Overload restriction setting |
| 0000000000010000 | [AT] analog input voltage/current | 000001000000000 | [TL] Torque limit |
| 0000000000020000 | [SET3] Set 3rd motor | 000002000000000 | [TRQ1] Torque limit select 1 |
| 0000000000040000 | [RS] Reset | 000004000000000 | [TRQ2] Torque limit select 2 |
| 0000000000080000 | — | 000008000000000 | [PPI P/PI] inverter mode select |
| 0000000000100000 | [STA] 3-wire Start | 000010000000000 | [BOK] Brake confirmation |
| 0000000000200000 | [ST]P 3-wire Hold | 000020000000000 | [ORT] Orientation (home) command |
| 0000000000400000 | [F/R] 3-wire FWD/REV | 000040000000000 | [LAC] Linear Accel/decel Cancel |
| 0000000000800000 | [PID] PID enable | 000080000000000 | [PCLR] Position error clear |
| — | — | 000100000000000 | [STAT] Pulse train input enable |

The arrangement of the terminal assignment data permits you to assign all inputs in a single command. The example below shows a transmission to the inverter at address Node 1 to set the Forward command, Multi-speed 1 and Multi-speed 2.

Sum the three data strings:
 0x0000000000000001
 + 0x0000000000000004
 + 0x0000000000000008
 = 0x000000000000000D

(STX) | 01 | 02 | 0x000000000000000D | (BCC) | (CR) → to ASCII
 02 | 30 31 | 30 31 | 30 30 30 30 30 30 30 30 30 30 30 30 30 30 30 68 | 30 35 | 0D

Command – 03

The 03 command reads the monitor data as a single block.

The frame format of command 03 follows the diagram and specification table. The transmit frame has no data field.

Transmit frame format

| | | | | |
|-----|------|---------|-----|------|
| STX | Node | Command | BCC | [CR] |
|-----|------|---------|-----|------|

| Element | Description | Size | Value |
|---------|------------------------------------|---------|---|
| STX | Control code (STart of TeXt) | 1 byte | STX (0x02) |
| Node | Node (station) address of inverter | 2 bytes | 01 to 32 |
| Command | Transmission command | 2 bytes | 03 |
| BCC | Block check sum code | 2 bytes | Exclusive OR of Node, Command, and Data |
| [CR] | Control code (carriage return) | 1 byte | [CR] (0x0D) |

The receive frame has a 104-byte data field, containing values for 13 items.

Receive frame format

| | | | | |
|-----|------|------|-----|------|
| STX | Node | Data | BCC | [CR] |
|-----|------|------|-----|------|

| Element | Description | Size | Value |
|---------|------------------------------------|-----------|---|
| STX | Control code (STart of TeXt) | 1 byte | STX (0x02) |
| Node | Node (station) address of inverter | 2 bytes | 01 to 32 |
| Data | Transmission data | 104 bytes | (see next table) |
| BCC | Block check sum code | 2 bytes | Exclusive OR of Node, Command, and Data |
| [CR] | Control code (carriage return) | 1 byte | [CR] (0x0D) |

The data in the receive frame contains 8-byte values for 13 items, listed in the table below:

| No. | Monitor Item | Units | Multiplier |
|-----|------------------------------|-------|------------|
| 1 | Output frequency | Hz | 100 |
| 2 | Output current | A | 10 |
| 3 | Direction of rotation | — | — |
| 4 | PID feedback monitor | % | 100 |
| 5 | Intelligent input monitor | — | — |
| 6 | Intelligent output monitor | — | — |
| 7 | Frequency converting monitor | — | 100 |
| 8 | Output torque monitor | % | 1 |
| 9 | Output voltage monitor | V | 10 |
| 10 | Electric power monitor | kW | 10 |
| 11 | Reserved | — | — |
| 12 | Run Mode time monitor | hours | 1 |
| 13 | Power ON time monitor | hours | 1 |

The eight bytes for intelligent input or intelligent output data have a bit set in the data field for each I/O point that is ON, according to the following table:

| Terminal | Monitor Item | Data |
|----------|---------------|----------|
| [FW] | Forward input | 00000001 |
| [1] | Input 1 | 00000002 |
| [2] | Input 2 | 00000004 |
| [3] | Input 3 | 00000008 |
| [4] | Input 4 | 00000010 |
| [5] | Input 5 | 00000020 |
| [6] | Input 6 | 00000040 |
| [7] | Input 7 | 00000080 |
| [8] | Input 8 | 00000100 |
| [AL] | Alarm relay | 00000001 |
| [11] | Output 1 | 00000002 |
| [12] | Output 2 | 00000004 |
| [13] | Output 3 | 00000008 |
| [14] | Output 4 | 00000010 |
| [15] | Output 5 | 00000020 |

Command – 04

The 04 command reads the status of the inverter. The frame format of command 04 follows the diagrams and specification tables. The transmit frame has no data field.

Transmit frame format

| | | | | |
|-----|------|---------|-----|------|
| STX | Node | Command | BCC | [CR] |
|-----|------|---------|-----|------|

| Element | Description | Size | Value |
|---------|--|---------|---|
| STX | Control code (S T art of Te X t) | 1 byte | STX (0x02) |
| Node | Node (station) address of inverter | 2 bytes | 01 to 32 |
| Command | Transmission command | 2 bytes | 04 |
| BCC | Block check sum code | 2 bytes | Exclusive OR of Node, Command, and Data |
| [CR] | Control code (carriage return) | 1 byte | [CR] (0x0D) |

The receive frame has an 8-byte data field, containing values for three trip items (plus a reserved field).

Receive frame format

| | | | | |
|-----|------|------|-----|------|
| STX | Node | Data | BCC | [CR] |
|-----|------|------|-----|------|

| Element | Description | Size | Value |
|---------|--|---------|---|
| STX | Control code (S T art of Te X t) | 1 byte | STX (0x02) |
| Node | Node (station) address of inverter | 2 bytes | 01 to 32 |
| Data | Transmission data | 8 bytes | (see next table) |
| BCC | Block check sum code | 2 bytes | Exclusive OR of Node, Command, and Data |
| [CR] | Control code (carriage return) | 1 byte | [CR] (0x0D) |

Trip data is organized as shown. The table below lists the codes and their meanings.

Data field contents

| | | | |
|----------|----------|----------|------------|
| Status A | Status B | Status C | (reserved) |
|----------|----------|----------|------------|

| Code | Status A Definition | Status B Definition | Status C Definition |
|------|---------------------|---------------------|----------------------|
| 00 | Initial status | On stopping | — |
| 01 | — | On running | Stop |
| 02 | On Stopping | On tripping | Deceleration speed |
| 03 | On running | — | Constant speed |
| 04 | On free-run stop | — | Acceleration speed |
| 05 | On jog | — | Forward |
| 06 | On dynamic braking | — | Reverse |
| 07 | On retry | — | Reverse from forward |
| 08 | On trip | — | Forward from reverse |
| 09 | On under-voltage | — | Forward start |
| 10 | — | — | Reverse start |

Command – 05

The 05 command reads the inverter’s trip history. The frame format of command 05 follows the diagrams and specification tables. The transmit frame has no data field.

Transmit frame format

| | | | | |
|-----|------|---------|-----|------|
| STX | Node | Command | BCC | [CR] |
|-----|------|---------|-----|------|

| Element | Description | Size | Value |
|---------|--|---------|---|
| STX | Control code (S T art of Te X t) | 1 byte | STX (0x02) |
| Node | Node (station) address of inverter | 2 bytes | 01 to 32 |
| Command | Transmission command | 2 bytes | 05 |
| BCC | Block check sum code | 2 bytes | Exclusive OR of Node, Command, and Data |
| [CR] | Control code (carriage return) | 1 byte | [CR] (0x0D) |

The receive frame has a 440-byte data field. This consists of an 8-byte total accumulated number of trip events, followed by six 72-byte strings for the six most recent trip events as shown below.

Receive frame format

| | | | | |
|-----|------|------|-----|------|
| STX | Node | Data | BCC | [CR] |
|-----|------|------|-----|------|

Data field contents

| | | | | | | |
|-------------|--------|--------|--------|--------|--------|--------|
| Total count | Trip 1 | Trip 2 | Trip 3 | Trip 4 | Trip 5 | Trip 6 |
|-------------|--------|--------|--------|--------|--------|--------|

| Element | Description | Size | Value |
|---------|--|-----------|---|
| STX | Control code (S T art of Te X t) | 1 byte | STX (0x02) |
| Node | Node (station) address of inverter | 2 bytes | 01 to 32 |
| Data | Transmission data | 440 bytes | (see next table) |
| BCC | Block check sum code | 2 bytes | Exclusive OR of Node, Command, and Data |
| [CR] | Control code (carriage return) | 1 byte | [CR] (0x0D) |

The nine bytes of data for each trip event history is listed below. The data contains the multiplier to adjust the decimal point. Divide the data by that factor to derive the actual value.

| No. | Monitor Item | Units | Multiplier |
|-----|---------------------------|-------|------------|
| 1 | Trip factor | — | — |
| 2 | Inverter Status A | — | — |
| 3 | Inverter Status B | — | — |
| 4 | Inverter Status C | — | — |
| 5 | Output frequency | Hz | 10 |
| 6 | Accumulated Run Mode time | hours | 1 |
| 7 | Output current | A | 10 |
| 8 | Output voltage | V | 10 |
| 9 | Power ON time | hours | 1 |

For Command 05, bytes 2, 3, and 4 of the event history are status codes A, B, and C, respectively. The tables below provide status code descriptions.

Data field contents

| | byte 2 | byte 3 | byte 4 |
|--|----------|----------|----------|
| | Status A | Status B | Status C |

| Code | Status A Definition | Status C Definition |
|------|---------------------|-------------------------|
| 00 | Initial status | On reset |
| 01 | — | On stopping |
| 02 | On Stopping | On deceleration |
| 03 | On running | Constant speed |
| 04 | On free-run stop | On acceleration |
| 05 | On jog | On 0 Hz running |
| 06 | On dynamic braking | On running |
| 07 | On retry | On dynamic braking |
| 08 | On trip | On overload restriction |
| 09 | On under-voltage | — |

| Bit | Status B Definition | Error Code |
|-----|-------------------------|------------|
| 0 | Ground fault | E14 |
| 1 | IGBT error, U phase | E30 |
| 2 | Under-voltage error | E09 |
| 3 | Over-voltage protection | E07 |
| 4 | Thermal trip | E21 |
| 5 | IGBT error, V phase | E30 |
| 6 | IGBT error, W phase | E30 |
| 7 | Gate array error | E23 |

Command – 06

The 06 command reads a single parameter value from the inverter, which is specified by the data field this read command.

Transmit frame format

| | | | | | |
|-----|------|---------|------|-----|------|
| STX | Node | Command | Data | BCC | [CR] |
|-----|------|---------|------|-----|------|

| Element | Description | Size | Value |
|---------|--|---------|---|
| STX | Control code (S T art of Te X t) | 1 byte | STX (0x02) |
| Node | Node (station) address of inverter | 2 bytes | 01 to 32 |
| Command | Transmission command | 2 bytes | 06 |
| Data | Parameter specified to be read | 4 bytes | (see tables below) |
| BCC | Block check sum code | 2 bytes | Exclusive OR of Node, Command, and Data |
| [CR] | Control code (carriage return) | 1 byte | [CR] (0x0D) |

The receive frame includes an ACK (acknowledge) character, followed by an 8-byte data field.

Receive frame format

| | | | | | |
|-----|------|-----|------|-----|------|
| STX | Node | ACK | Data | BCC | [CR] |
|-----|------|-----|------|-----|------|

| Element | Description | Size | Value |
|---------|--|---------|--|
| STX | Control code (S T art of Te X t) | 1 byte | STX (0x02) |
| Node | Node (station) address of inverter | 2 bytes | 01 to 32 |
| ACK | Control code (ACK N owledge) | 1 byte | ACK (0x06) |
| Data | Parameter value | 8 bytes | Value of parameter times ten, returned as ASCII char. code, except for H003 and H203 (see table below) |
| BCC | Block check sum code | 2 bytes | Exclusive OR of Node, Command, and Data |
| [CR] | Control code (carriage return) | 1 byte | [CR] (0x0D) |

Use the codes in the table below to return parameters for H03 and H203 (motor capacity selection).

| Code Data | 00 | 01 | 02 | 03 | 04 | 05 | 06 | 07 | 08 | 09 | 10 |
|------------------------|--------|------|-----|------|------|-----|-----|------|-----|-----|-----|
| U.S. mode (B85=00, 02) | 0.2 kW | | 0.4 | | 0.75 | | 1.5 | 2.,2 | | 3.7 | |
| EU mode (B85=01) | 0.2 kW | 0.37 | | 0.55 | 0.75 | 1.1 | 1.5 | 2.2 | 3.0 | | 4.0 |
| Code Data | 11 | 12 | 13 | 14 | 15 | 16 | 17 | 18 | 19 | 20 | 21 |
| U.S. mode (B85=00, 02) | 5.5 kW | 7.5 | 11 | 15 | 18.5 | 22 | 30 | 37 | 45 | 55 | 75 |
| EU mode (B85=01) | 5.5 kW | 7.5 | 11 | 15 | 18.5 | 22 | 30 | 37 | 45 | 55 | 75 |

Command – 07

The 07 command sets a parameter value equal to the value specified in the transmission. The frame format of command 07 follows the diagram and specification table.

Frame format

| | | | | | | |
|-----|------|---------|-----------|------|-----|------|
| STX | Node | Command | Parameter | Data | BCC | [CR] |
|-----|------|---------|-----------|------|-----|------|

| Element | Description | Size | Value |
|-----------|------------------------------------|---------|--|
| STX | Control code (STart of TeXt) | 1 byte | STX (0x02) |
| Node | Node (station) address of inverter | 2 bytes | 01 to 32, and FF (broadcast to all nodes) |
| Command | Transmission command | 2 bytes | 07 |
| Parameter | Function code of parameter | 4 bytes | F002..., A001..., B001..., C001..., H003..., P001... |
| Data | Transmission data | 8 bytes | Value of parameter times ten as ASCII char. code, except for H003 and H203 (see table below) |
| BCC | Block check sum code | 2 bytes | Exclusive OR of Node, Command, and Data |
| [CR] | Control code (carriage return) | 1 byte | [CR] (0x0D) |

Note that the parameter F001, the output frequency, can be set more directly with host command 01 instead of with this command. Use the codes in the following table for setting parameters associated with H003 and H203.

| Code Data | 00 | 01 | 02 | 03 | 04 | 05 | 06 | 07 | 08 | 09 | 10 |
|------------------------|--------|------|-----|------|------|-----|-----|------|-----|-----|-----|
| U.S. mode (B85=00, 02) | 0.2 kW | | 0.4 | | 0.75 | | 1.5 | 2.,2 | | 3.7 | |
| EU mode (B85=01) | 0.2 kW | 0.37 | | 0.55 | 0.75 | 1.1 | 1.5 | 2.2 | 3.0 | | 4.0 |
| Code Data | 11 | 12 | 13 | 14 | 15 | 16 | 17 | 18 | 19 | 20 | 21 |
| U.S. mode (B85=00, 02) | 5.5 kW | 7.5 | 11 | 15 | 18.5 | 22 | 30 | 37 | 45 | 55 | 75 |
| EU mode (B85=01) | 5.5 kW | 7.5 | 11 | 15 | 18.5 | 22 | 30 | 37 | 45 | 55 | 75 |

Command – 08

The 08 command initializes the inverter parameters to the factory default values. First, you must set B84 (use command 07) to specify whether you want to clear the trip history at the same time. Also, set B85 to specify the country code for the initialization (use command 07).

The frame format of command 08 follows the diagram and specification table.

Frame format

| | | | | |
|-----|------|---------|-----|------|
| STX | Node | Command | BCC | [CR] |
|-----|------|---------|-----|------|

| Element | Description | Size | Value |
|---------|------------------------------------|---------|---|
| STX | Control code (STart of TeXt) | 1 byte | STX (0x02) |
| Node | Node (station) address of inverter | 2 bytes | 01 to 32, and FF (broadcast to all nodes) |
| Command | Transmission command | 2 bytes | 08 |
| BCC | Block check sum code | 2 bytes | Exclusive OR of Node, Command, and Data |
| [CR] | Control code (carriage return) | 1 byte | [CR] (0x0D) |

Command – 09

The 09 command verifies whether or not it is possible to set a particular parameter in the EEPROM. The frame format of command 08 follows the diagram and specification table.

Transmit frame format

| | | | | |
|-----|------|---------|-----|------|
| STX | Node | Command | BCC | [CR] |
|-----|------|---------|-----|------|

| Element | Description | Size | Value |
|---------|------------------------------------|---------|---|
| STX | Control code (STart of TeXt) | 1 byte | STX (0x02) |
| Node | Node (station) address of inverter | 2 bytes | 01 to 32 |
| Command | Transmission command | 2 bytes | 09 |
| BCC | Block check sum code | 2 bytes | Exclusive OR of Node, Command, and Data |
| [CR] | Control code (carriage return) | 1 byte | [CR] (0x0D) |

The receive frame includes an ACK (acknowledge) character, followed by a 2-byte data field with the result.

Receive frame format

| | | | | | |
|-----|------|-----|------|-----|------|
| STX | Node | ACK | Data | BCC | [CR] |
|-----|------|-----|------|-----|------|

| Element | Description | Size | Value |
|---------|------------------------------------|---------|--|
| STX | Control code (STart of TeXt) | 1 byte | STX (0x02) |
| Node | Node (station) address of inverter | 2 bytes | 01 to 32 |
| ACK | Control code (ACKnowledge) | 1 byte | ACK (0x06) |
| Data | Parameter value | 2 bytes | 00 = setting not allowed, 01 = setting is allowed |
| BCC | Block check sum code | 2 bytes | Exclusive OR of Node, Command, and Data |
| [CR] | Control code (carriage return) | 1 byte | [CR] (0x0D) |

Command – 0A The 0A command sets a value in the EEPROM.

The frame format of command 0A follows the diagram and specification table.

Frame format

| | | | | |
|-----|------|---------|-----|------|
| STX | Node | Command | BCC | [CR] |
|-----|------|---------|-----|------|

| Element | Description | Size | Value |
|---------|---|---------|---|
| STX | Control code (S ^T art of TeXt) | 1 byte | STX (0x02) |
| Node | Node (station) address of inverter | 2 bytes | 01 to 32, and FF (broadcast to all nodes) |
| Command | Transmission command | 2 bytes | 0A |
| BCC | Block check sum code | 2 bytes | Exclusive OR of Node, Command, and Data |
| [CR] | Control code (carriage return) | 1 byte | [CR] (0x0D) |

Command – 0B The 0B command recalculates the inverter's internal motor constants. Use this function after the base frequency or any Hxxx parameters are changed via the serial link commands.

The frame format of command 0B follows the diagram and specification table.

Frame format

| | | | | |
|-----|------|---------|-----|------|
| STX | Node | Command | BCC | [CR] |
|-----|------|---------|-----|------|

| Element | Description | Size | Value |
|---------|---|---------|---|
| STX | Control code (S ^T art of TeXt) | 1 byte | STX (0x02) |
| Node | Node (station) address of inverter | 2 bytes | 01 to 32 |
| Command | Transmission command | 2 bytes | 0B |
| BCC | Block check sum code | 2 bytes | Exclusive OR of Node, Command, and Data |
| [CR] | Control code (carriage return) | 1 byte | [CR] (0x0D) |

Communications Reference Information

Inverter Affirmative Reply

The standard affirmative reply from the inverter uses the ACK character (acknowledge) in the data field. The frame format of this reply follows the diagram and specification table.

Frame format

| | | | | |
|-----|------|-----|-----|------|
| STX | Node | ACK | BCC | [CR] |
|-----|------|-----|-----|------|

| Element | Description | Size | Value |
|---------|--|---------|------------------------------|
| STX | Control code (S T art of Te X t) | 1 byte | STX (0x02) |
| Node | Node (station) address of inverter | 2 bytes | 01 to 32 |
| ACK | Control code (ACKnowledge) | 1 byte | ACK (0x06) |
| BCC | Block check sum code | 2 bytes | Exclusive OR of Node and ACK |
| [CR] | Control code (carriage return) | 1 byte | [CR] (0x0D) |

Inverter Negative Reply

The standard negative reply from the inverter uses the NAK character (negative acknowledge) in the data field. The frame format of this reply follows the diagram and specification table.

Frame format

| | | | | | |
|-----|------|-----|------------|-----|------|
| STX | Node | NAK | Error code | BCC | [CR] |
|-----|------|-----|------------|-----|------|

| Element | Description | Size | Value |
|------------|--|---------|-------------------------------------|
| STX | Control code (S T art of Te X t) | 1 byte | STX (0x02) |
| Node | Node (station) address of inverter | 2 bytes | 01 to 32 |
| NAK | Control code (Negative ACKnowledge) | 1 byte | NAK (0x15) |
| Error code | Code representing error type | 2 bytes | (See next table below) |
| BCC | Block check sum code | 2 bytes | Exclusive OR of Node, Data, and NAK |
| [CR] | Control code (carriage return) | 1 byte | [CR] (0x0D) |

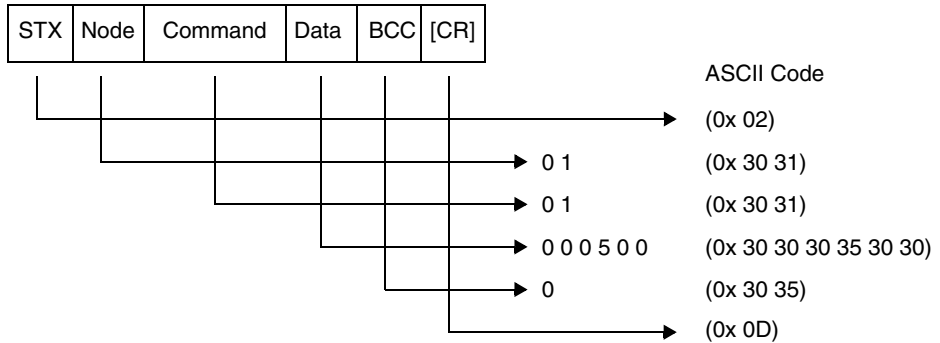
The error codes for a NAK (negative acknowledge) are:

| Error Code | Error Description | Error Code | Error Description |
|------------|-------------------|------------|-------------------------------------|
| 01H | Parity error | 07H | Receive buffer overrun error |
| 02H | Check sum error | 08H | Receive time-out error |
| 03H | Framing error | 11H | Abnormal command code error |
| 04H | Overrun error | 13H | Test error code |
| 05H | Protocol error | 16H | Abnormal parameter code/value error |
| 06H | ASCII code error | — | — |

Block Check Code (BCC)

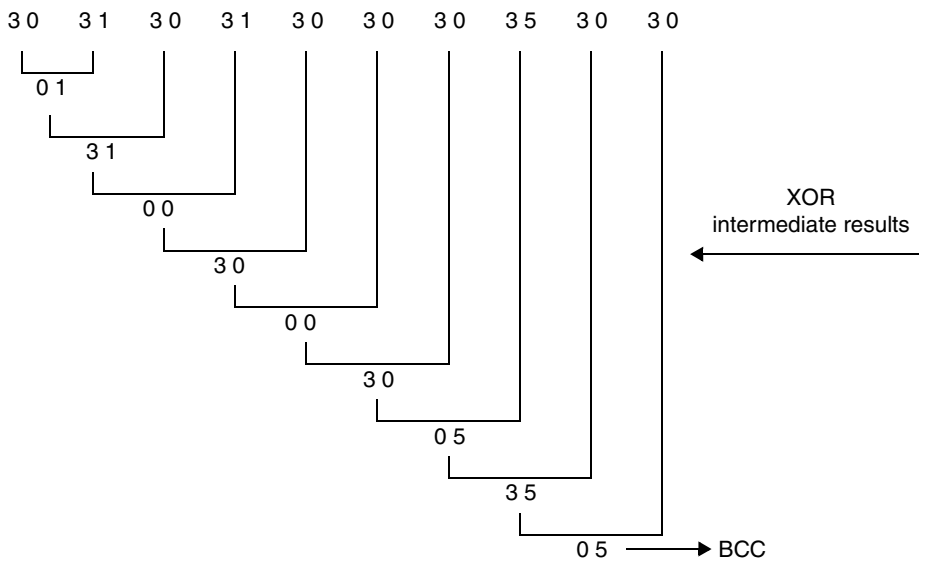
This section shows how the inverter protocol computes defines a BCC—block check code. The BCC is calculated for each frame transmitted and can be used to verify the integrity of data transmission. The example below shows command 01 setting the inverter frequency to 5Hz.

Frame format



The block check code is computed by using the ASCII codes (shown above) and applying eXclusive OR (XOR) operations. Beginning with the first pair of bytes, the result of their XOR result is then used in an XOR operation with the third byte, and so on. For this example, the BCC calculation is shown below.

Data bytes:



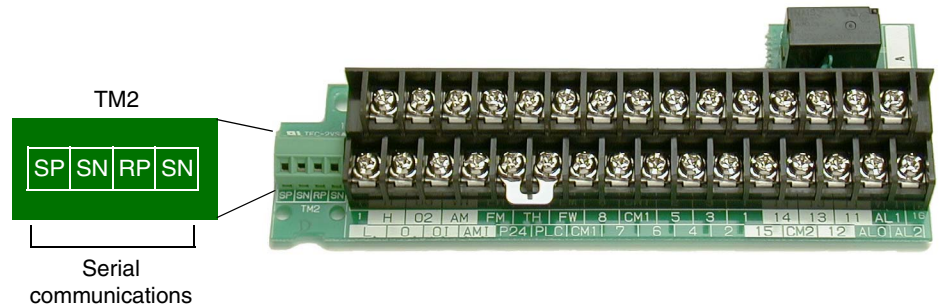
ASCII Code Table The table below shows only the ASCII codes used for function codes and parameter data.

| Character | ASCII Code | Character | ASCII Code | Character | ASCII Code |
|-----------|------------|-----------|------------|-----------|------------|
| STX | 0 2 | 4 | 3 4 | C | 4 3 |
| ACK | 0 6 | 5 | 3 5 | D | 4 4 |
| CR | 0 D | 6 | 3 6 | E | 4 5 |
| NAK | 1 5 | 7 | 3 7 | F | 4 6 |
| 0 | 3 0 | 8 | 3 8 | H | 4 8 |
| 1 | 3 1 | 9 | 3 9 | P | 5 0 |
| 2 | 3 2 | A | 4 1 | — | — |
| 3 | 3 3 | B | 4 2 | — | — |

Communication Test Mode

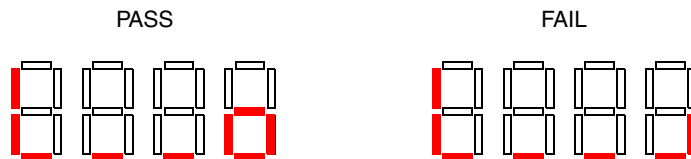
The communication test mode verifies that the inverter can properly send and receive data via the RS485 serial port. Follow the steps below to perform the communication test.

1. Remove the serial cable (if present) connected to the TM2 connector block of the control terminals, as shown below.



NOTE: It is not necessary to connect a loopback jumper. The RS485 port uses a transceiver for communications, which already allows simultaneous transmitting and receiving.

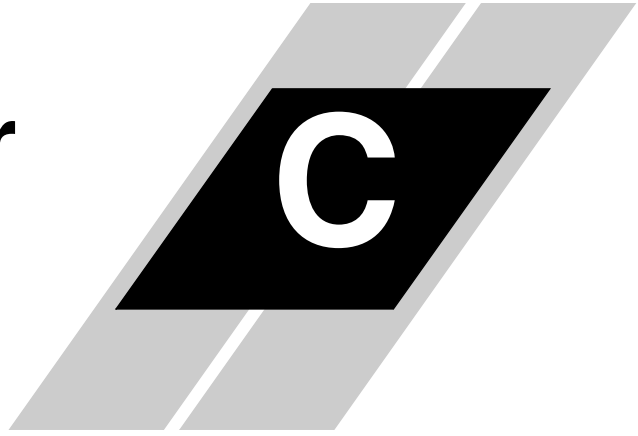
2. Use the front panel keypad to navigate to parameter C071, Communication Speed Selection. Change parameter C071=02 and press Store. Value 02 is the Test option. Now the inverter is ready to conduct the loopback test.
3. Turn the inverter power OFF and then ON again. Observe the keypad display and compare to the results shown below.



4. Press the Stop/Rest button on the keypad to return the inverter keypad/ display to normal operation.
5. Change C071 to its original setting (default is C071=04). Otherwise, while C071=02, the inverter will perform the communications loopback test at each powerup.



Drive Parameter Settings Tables



| In This Appendix.... | page |
|---|-------------------|
| — Introduction | 2 |
| — Parameter Settings for Keypad Entry | 2 |

Introduction

This appendix lists the user-programmable parameters for the SJ300 series inverters and the default values for European, U.S. and Japanese product types. The right-most column of the tables is blank so you can record values you have changed from the default. This involves just a few parameters for most applications.

Parameter Settings for Keypad Entry

SJ300 series inverters provide many functions and parameters that can be configured by the user. We recommend that you record all parameters that have been edited, in order to help in troubleshooting or recovery from a loss of parameter data.

Inverter model SJ300

MFG. No.

} This information is printed on the specification label located on the right side of the inverter.

Main Profile Parameters

| “F” Group Parameters | | Default Setting | | | User Setting |
|----------------------|--|-----------------|------------|-------------|--------------|
| Func. Code | Name | -FE (Europe) | -FU (U.S.) | -FR (Japan) | |
| F001 | Output frequency setting | 0.00 | 0.00 | 0.00 | |
| F002 | Acceleration (1) time setting | 30.0 | 30.0 | 30.0 | |
| F202 | Acceleration (1) time setting, 2nd motor | 30.0 | 30.0 | 30.0 | |
| F302 | Acceleration (1) time setting, 3rd motor | 30.0 | 30.0 | 30.0 | |
| F003 | Deceleration (1) time setting | 30.0 | 30.0 | 30.0 | |
| F203 | Deceleration (1) time setting, 2nd motor | 30.0 | 30.0 | 30.0 | |
| F303 | Deceleration (1) time setting, 3rd motor | 30.0 | 30.0 | 30.0 | |
| F004 | Keypad Run key routing | 00 | 00 | 00 | |

Standard Functions

| “A” Group Parameters | | Default Setting | | | User Setting |
|----------------------|--|-----------------|------------|-------------|--------------|
| Func. Code | Name | -FE (Europe) | -FU (U.S.) | -FR (Japan) | |
| A001 | Frequency source setting | 01 | 01 | 02 | |
| A002 | Run command source setting | 01 | 01 | 02 | |
| A003 | Base frequency setting | 50. | 60. | 60. | |
| A203 | Base frequency setting, 2nd motor | 50. | 60. | 60. | |
| A303 | Base frequency setting, 3rd motor | 50. | 60. | 60. | |
| A004 | Maximum frequency setting | 50. | 60. | 60. | |
| A204 | Maximum frequency setting, 2nd motor | 50. | 60. | 60. | |
| A304 | Maximum frequency setting, 3rd motor | 50. | 60. | 60. | |
| A005 | [AT] selection | 00 | 00 | 00 | |
| A006 | [O2] selection | 03 | 03 | 03 | |
| A011 | [O]–[L] input active range start frequency | 0.00 | 0.00 | 0.00 | |
| A012 | [O]–[L] input active range end frequency | 0.00 | 0.00 | 0.00 | |
| A013 | [O]–[L] input active range start voltage | 0. | 0. | 0. | |
| A014 | [O]–[L] input active range end voltage | 100. | 100. | 100. | |
| A015 | [O]–[L] input start frequency enable | 01 | 01 | 01 | |
| A016 | External frequency filter time const. | 8. | 8. | 8. | |
| A019 | Multi-speed operation selection | 00 | 00 | 00 | |
| A020 | Multi-speed frequency setting | 0.00 | 0.00 | 0.00 | |
| A220 | Multi-speed frequency setting, 2nd motor | 0.00 | 0.00 | 0.00 | |
| A320 | Multi-speed frequency setting, 3rd motor | 0.00 | 0.00 | 0.00 | |
| A021 | Multi-speed 1 setting | 0.00 | 0.00 | 0.00 | |
| A022 | Multi-speed 2 setting | 0.00 | 0.00 | 0.00 | |
| A023 | Multi-speed 3 setting | 0.00 | 0.00 | 0.00 | |
| A024 | Multi-speed 4 setting | 0.00 | 0.00 | 0.00 | |
| A025 | Multi-speed 5 setting | 0.00 | 0.00 | 0.00 | |
| A026 | Multi-speed 6 setting | 0.00 | 0.00 | 0.00 | |
| A027 | Multi-speed 7 setting | 0.00 | 0.00 | 0.00 | |

| “A” Group Parameters | | Default Setting | | | User Setting |
|----------------------|---|-----------------|------------|-------------|--------------|
| Func. Code | Name | -FE (Europe) | -FU (U.S.) | -FR (Japan) | |
| A028 | Multi-speed 8 setting | 0.00 | 0.00 | 0.00 | |
| A029 | Multi-speed 9 setting | 0.00 | 0.00 | 0.00 | |
| A030 | Multi-speed 10 setting | 0.00 | 0.00 | 0.00 | |
| A031 | Multi-speed 11 setting | 0.00 | 0.00 | 0.00 | |
| A032 | Multi-speed 12 setting | 0.00 | 0.00 | 0.00 | |
| A033 | Multi-speed 13 setting | 0.00 | 0.00 | 0.00 | |
| A034 | Multi-speed 14 setting | 0.00 | 0.00 | 0.00 | |
| A035 | Multi-speed 15 setting | 0.00 | 0.00 | 0.00 | |
| A038 | Jog frequency setting | 1.00 | 1.00 | 1.00 | |
| A039 | Jog stop mode | 00 | 00 | 00 | |
| A041 | Torque boost method selection | 00 | 000 | 00 | |
| A241 | Torque boost method selection, 2nd motor | 00 | 00 | 00 | |
| A042 | Manual torque boost value | 1.0 | 1.0 | 1.0 | |
| A242 | Manual torque boost value, 2nd motor | 1.0 | 1.0 | 1.0 | |
| A342 | Manual torque boost value, 3rd motor | 1.0 | 1.0 | 1.0 | |
| A43 | Manual torque boost frequency adjustment | 5.0 | 5.0 | 5.0 | |
| A243 | Manual torque boost frequency adjustment, 2nd motor | 5.0 | 5.0 | 5.0 | |
| A343 | Manual torque boost frequency adjustment, 3rd motor | 5.0 | 5.0 | 5.0 | |
| A44 | V/F characteristic curve selection, 1st motor | 00 | 00 | 00 | |
| A244 | V/F characteristic curve selection, 2nd motor | 00 | 00 | 00 | |
| A344 | V/F characteristic curve selection, 3rd motor | 00 | 00 | 00 | |
| A045 | V/f gain setting | 100. | 100. | 100. | |
| A051 | DC braking enable | 00 | 00 | 00 | |
| A052 | DC braking frequency setting | 0.50 | 0.50 | 0.50 | |
| A053 | DC braking wait time | 0.0 | 0.0 | 0.0 | |
| A054 | DC braking force during deceleration | 0. | 0. | 0. | |
| A055 | DC braking time for deceleration | 0.0 | 0.0 | 0.0 | |

| “A” Group Parameters | | Default Setting | | | User Setting |
|------------------------|---|-----------------|------------|-------------|--------------|
| Func. Code | Name | -FE (Europe) | -FU (U.S.) | -FR (Japan) | |
| A056 | DC braking / edge or level detection for [DB] input | 01 | 01 | 01 | |
| A057 | DC braking force for starting | 0. | 0. | 0. | |
| A058 | DC braking time for starting | 0.0 | 0.0 | 0.0 | |
| A059 | DC braking carrier frequency setting | 5.0 | 5.0 | 5.0 | |
| A061 | Frequency upper limit setting | 0.00 | 0.00 | 0.00 | |
| A0261 | Frequency upper limit setting, 2nd motor | 0.00 | 0.00 | 0.00 | |
| A062 | Frequency lower limit setting | 0.00 | 0.00 | 0.00 | |
| A0262 | Frequency lower limit setting, 2nd motor | 0.00 | 0.00 | 0.00 | |
| A063, A065, A067 | Jump (center) frequency setting | 0.00 | 0.00 | 0.00 | |
| A064, A066, A068 | Jump (hysteresis) frequency width setting | 0.50 | 0.50 | 0.50 | |
| A069 | Acceleration stop frequency setting | 0.00 | 0.00 | 0.00 | |
| A070 | Acceleration stop time frequency setting | 0.0 | 0.0 | 0.0 | |
| A071 | PID Function Enable | 00 | 00 | 00 | |
| A072 | PID proportional gain | 1.0 | 1.0 | 1.0 | |
| A073 | PID integral time constant | 1.0 | 1.0 | 1.0 | |
| A074 | PID derivative gain | 0.0 | 0.0 | 0.0 | |
| A075 | PV scale conversion | 1.00 | 1.00 | 1.00 | |
| A076 | PV source setting | 00 | 00 | 00 | |
| A081 | AVR function select | 00 | 00 | 00 | |
| A082 | AVR voltage select | 230/400 | 230/460 | 200/400 | |
| A085 | Operation mode selection | 00 | 00 | 00 | |
| A086 | Energy saving mode tuning | 50.0 | 50.0 | 50.0 | |
| A092 | Acceleration (2) time setting | 15.0 | 15.0 | 15.0 | |
| A292 | Acceleration (2) time setting, 2nd motor | 15.0 | 15.0 | 15.0 | |
| A392 | Acceleration (2) time setting, 3rd motor | 15.0 | 15.0 | 15.0 | |
| A093 | Deceleration (2) time setting | 15.0 | 15.0 | 15.0 | |

| “A” Group Parameters | | Default Setting | | | User Setting |
|----------------------|--|-----------------|------------|-------------|--------------|
| Func. Code | Name | -FE (Europe) | -FU (U.S.) | -FR (Japan) | |
| A293 | Deceleration (2) time setting, 2nd motor | 15.0 | 15.0 | 15.0 | |
| A393 | Deceleration (2) time setting, 3rd motor | 15.0 | 15.0 | 15.0 | |
| A094 | Select method to switch to Acc2/Dec2 profile | 00 | 00 | 00 | |
| A294 | Select method to switch to Acc2/Dec2, 2nd motor | 00 | 00 | 00 | |
| A095 | Acc1 to Acc2 frequency transition point | 0.0 | 0.0 | 0.0 | |
| A295 | Acc1 to Acc2 frequency transition point, 2nd motor | 0.0 | 0.0 | 0.0 | |
| A096 | Dec1 to Dec2 frequency transition point | 0.0 | 0.0 | 0.0 | |
| A296 | Dec1 to Dec2 frequency transition point, 2nd motor | 0.0 | 0.0 | 0.0 | |
| A097 | Acceleration curve selection | 00 | 00 | 00 | |
| A098 | Deceleration curve setting | 00 | 00 | 00 | |
| A101 | [OI]–[L] input active range start frequency | 0.00 | 0.00 | 0.00 | |
| A102 | [OI]–[L] input active range end frequency | 0.00 | 0.00 | 0.00 | |
| A103 | [OI]–[L] input active range start current | 20. | 20. | 20. | |
| A104 | [OI]–[L] input active range end current | 100. | 100. | 100. | |
| A105 | [OI]–[L] input start frequency enable | 01 | 01 | 01 | |
| A111 | [O2]–[L] input active range start frequency | 0.00 | 0.00 | 0.00 | |
| A112 | [O2]–[L] input active range end frequency | 0.00 | 0.00 | 0.00 | |
| A113 | [O2]–[L] input active range start voltage | –100. | –100. | –100. | |
| A114 | [O2]–[L] input active range end voltage | 100. | 100. | 100. | |
| A131 | Acceleration curve constants setting | 02 | 02 | 02 | |
| A132 | Deceleration curve constants setting | 02 | 02 | 02 | |

Fine Tuning Functions

| “B” Group Parameters | | Default Setting | | | User Setting |
|----------------------|--|---------------------------------|---------------------------------|---------------------------------|--------------|
| Func. Code | Name | -FE (Europe) | -FU (U.S.) | -FR (Japan) | |
| B001 | Selection of restart mode | 00 | 00 | 00 | |
| B002 | Allowable under-voltage power failure time | 1.0 | 1.0 | 1.0 | |
| B003 | Retry wait time before motor restart | 1.0 | 1.0 | 1.0 | |
| B004 | Instantaneous power failure / under-voltage trip alarm enable | 00 | 00 | 00 | |
| B005 | Number of restarts on power failure / under-voltage trip events | 00 | 00 | 00 | |
| B006 | Phase loss detection enable | 00 | 00 | 00 | |
| B007 | Restart frequency threshold | 0.00 | 0.00 | 0.00 | |
| B012 | Electronic thermal setting (calculated within the inverter from current output) | Rated current for each inverter | Rated current for each inverter | Rated current for each inverter | |
| B212 | Electronic thermal setting (calculated within the inverter from current output), 2nd motor | Rated current for each inverter | Rated current for each inverter | Rated current for each inverter | |
| B312 | Electronic thermal setting (calculated within the inverter from current output), 3rd motor | Rated current for each inverter | Rated current for each inverter | Rated current for each inverter | |
| B013 | Electronic thermal characteristic | 01 | 01 | 00 | |
| B213 | Electronic thermal characteristic, 2nd motor | 01 | 01 | 00 | |
| B313 | Electronic thermal characteristic, 3rd motor | 01 | 01 | 00 | |
| B015 | Free setting, electronic thermal frequency (1) | 0. | 0. | 0. | |
| B016 | Free setting, electronic thermal current (1) | 0.0 | 0.0 | 0.0 | |
| B017 | Free setting, electronic thermal frequency (2) | 0. | 0. | 0. | |
| B018 | Free setting, electronic thermal current (2) | 0.0 | 0.0 | 0.0 | |
| B019 | Free setting, electronic thermal frequency (3) | 0. | 0. | 0. | |
| B020 | Free setting, electronic thermal current (3) | 0.0 | 0.0 | 0.0 | |
| B021 | Overload restriction operation mode | 01 | 01 | 01 | |
| B022 | Overload restriction setting | Rated current x 1.50 | Rated current x 1.50 | Rated current x 1.50 | |

| “B” Group Parameters | | Default Setting | | | User Setting |
|----------------------|--|----------------------|----------------------|----------------------|--------------|
| Func. Code | Name | -FE (Europe) | -FU (U.S.) | -FR (Japan) | |
| B023 | Deceleration rate at overload restriction | 1.0 | 1.0 | 1.0 | |
| B024 | Overload restriction operation mode (2) | 01 | 01 | 01 | |
| B025 | Overload restriction setting (2) | Rated current x 1.50 | Rated current x 1.50 | Rated current x 1.50 | |
| B026 | Deceleration rate at overload restriction (2) | 1.00 | 1.00 | 1.00 | |
| B031 | Software lock mode selection | 01 | 01 | 01 | |
| B034 | Run/power-on warning time | 0. | 0. | 0. | |
| B035 | Rotational direction restriction | 00 | 00 | 00 | |
| B036 | Reduced voltage start selection | 06 | 06 | 06 | |
| B037 | Function code display restriction | 00 | 00 | 00 | |
| B040 | Torque limit selection | 00 | 00 | 00 | |
| B041 | Torque limit (1) (forward-driving in 4-quadrant mode) | 150. | 150. | 150. | |
| B042 | Torque limit (2) (reverse-regenerating in 4-quadrant mode) | 150. | 150. | 150. | |
| B043 | Torque limit (3) (reverse-driving in 4-quadrant mode) | 150. | 150. | 150. | |
| B044 | Torque limit (4) (forward-regenerating in 4-quadrant mode) | 150. | 150. | 150. | |
| B045 | Torque limit LADSTOP enable | 00 | 00 | 00 | |
| B046 | Reverse Run protection enable | 00 | 00 | 00 | |
| B050 | Controller deceleration and stop on power loss | 00 | 00 | 00 | |
| B051 | DC bus voltage trigger level during power loss | 0.0 | 0.0 | 0.0 | |
| B052 | Over-voltage threshold during power loss | 0.0 | 0.0 | 0.0 | |
| B053 | Deceleration time setting during power loss | 1.00 | 1.00 | 1.00 | |
| B054 | Initial output frequency decrease during power loss | 0.00 | 0.00 | 0.00 | |
| B080 | [AM] terminal analog meter adjustment | 180 | 180 | 180 | |
| B081 | [FM] terminal analog meter adjustment | 60 | 60 | 60 | |
| B082 | Start frequency adjustment | 0.50 | 0.50 | 0.50 | |
| B083 | Carrier frequency setting | 5.0 | 5.0 | 5.0 | |

| “B” Group Parameters | | Default Setting | | | User Setting |
|----------------------|--|-----------------|------------|-------------|--------------|
| Func. Code | Name | -FE (Europe) | -FU (U.S.) | -FR (Japan) | |
| B084 | Initialization mode (parameters or trip history) | 00 | 00 | 00 | |
| B085 | Country code for initialization | 01 | 02 | 00 | |
| B086 | Frequency scaling conversion factor | 1.0 | 1.0 | 1.0 | |
| B087 | STOP key enable | 00 | 00 | 00 | |
| B088 | Restart mode after FRS | 00 | 00 | 00 | |
| B090 | Dynamic braking usage ratio | 0.0 | 0.0 | 0.0 | |
| B091 | Stop mode selection | 00 | 00 | 00 | |
| B092 | Cooling fan control | 00 | 00 | 00 | |
| B095 | Dynamic braking control | 00 | 00 | 00 | |
| B096 | Dynamic braking activation level | 360/720 | 360/720 | 360/720 | |
| B098 | Thermistor for thermal protection control | 00 | 00 | 00 | |
| B099 | Thermal protection level setting | 3000. | 3000. | 3000. | |
| B100 | Free-setting V/f frequency (1) | 0. | 0. | 0. | |
| B101 | Free-setting V/f voltage (1) | 0.0 | 0.0 | 0.0 | |
| B102 | Free-setting V/f frequency (2) | 0. | 0. | 0. | |
| B103 | Free-setting V/f voltage (2) | 0.0 | 0.0 | 0.0 | |
| B104 | Free-setting V/f frequency (3) | 0. | 0. | 0. | |
| B105 | Free-setting V/f voltage (3) | 0.0 | 0.0 | 0.0 | |
| B106 | Free-setting V/f frequency (4) | 0. | 0. | 0. | |
| B107 | Free-setting V/f voltage (4) | 0.0 | 0.0 | 0.0 | |
| B108 | Free-setting V/f frequency (5) | 0. | 0. | 0. | |
| B109 | Free-setting V/f voltage (5) | 0.0 | 0.0 | 0.0 | |
| B110 | Free-setting V/f frequency (6) | 0. | 0. | 0. | |
| B111 | Free-setting V/f voltage (6) | 0.0 | 0.0 | 0.0 | |
| B112 | Free-setting V/f frequency (7) | 0. | 0. | 0. | |
| B113 | Free-setting V/f voltage (7) | 0.0 | 0.0 | 0.0 | |
| B120 | Brake Control Enable | 00 | 00 | 00 | |
| B121 | Brake Wait Time for Release | 0.00 | 0.00 | 0.00 | |
| B122 | Brake Wait Time for Acceleration | 0.00 | 0.00 | 0.00 | |
| B123 | Brake Wait Time for Stopping | 0.00 | 0.00 | 0.00 | |
| B124 | Brake Wait Time for Confirmation | 0.00 | 0.00 | 0.00 | |
| B125 | Brake Release Frequency Setting | 0.00 | 0.00 | 0.00 | |

| “B” Group Parameters | | Default Setting | | | User Setting |
|----------------------|-------------------------------|---------------------------------|---------------------------------|---------------------------------|--------------|
| Func. Code | Name | -FE (Europe) | -FU (U.S.) | -FR (Japan) | |
| B126 | Brake Release Current Setting | Rated current for each inverter | Rated current for each inverter | Rated current for each inverter | |

Intelligent Terminal Functions

| “C” Group Parameters | | Default Setting | | | User Setting |
|----------------------|-------------------------------|-----------------|------------|-------------|--------------|
| Func. Code | Name | -FE (Europe) | -FU (U.S.) | -FR (Japan) | |
| C001 | Terminal [1] function | 18 | 18 | 18 | |
| C002 | Terminal [2] function | 16 | 16 | 16 | |
| C003 | Terminal [3] function | 06 | 06 | 06 | |
| C004 | Terminal [4] function | 11 | 11 | 11 | |
| C005 | Terminal [5] function | 09 | 09 | 09 | |
| C006 | Terminal [6] function | 03 | 13 | 03 | |
| C007 | Terminal [7] function | 02 | 02 | 02 | |
| C008 | Terminal [8] function | 01 | 01 | 01 | |
| C011 | Terminal [1] active state | 00 | 00 | 00 | |
| C012 | Terminal [2] active state | 00 | 00 | 00 | |
| C013 | Terminal [3] active state | 00 | 00 | 00 | |
| C014 | Terminal [4] active state | 00 | 00 | 00 | |
| C015 | Terminal [5] active state | 00 | 00 | 00 | |
| C016 | Terminal [6] active state | 00 | 01 | 00 | |
| C017 | Terminal (7) active state | 00 | 00 | 00 | |
| C018 | Terminal [8] active state | 00 | 00 | 00 | |
| C019 | Terminal [FW] active state | 00 | 00 | 00 | |
| C021 | Terminal [11] function | 01 | 01 | 01 | |
| C022 | Terminal [12] function | 00 | 00 | 00 | |
| C023 | Terminal [13] function | 03 | 03 | 03 | |
| C024 | Terminal [14] function | 07 | 07 | 07 | |
| C025 | Terminal [15] function | 08 | 08 | 08 | |
| C026 | Alarm relay terminal function | 05 | 05 | 05 | |
| C027 | [FM] signal selection | 00 | 00 | 00 | |
| C028 | [AM] signal selection | 00 | 00 | 00 | |
| C029 | [AMI] signal selection | 00 | 00 | 00 | |

| “C” Group Parameters | | Default Setting | | | User Setting |
|----------------------|--|---------------------------------|---------------------------------|---------------------------------|--------------|
| Func. Code | Name | -FE (Europe) | -FU (U.S.) | -FR (Japan) | |
| C031 | Terminal [11] active state | 00 | 00 | 00 | |
| C032 | Terminal [12] active state | 00 | 00 | 00 | |
| C033 | Terminal [13] active state | 00 | 00 | 00 | |
| C034 | Terminal [14] active state | 00 | 00 | 00 | |
| C035 | Terminal [15] active state | 00 | 00 | 00 | |
| C036 | Alarm relay active state | 01 | 01 | 01 | |
| C040 | Overload signal output mode | 01 | 01 | 01 | |
| C041 | Overload level setting | Rated current for each inverter | Rated current for each inverter | Rated current for each inverter | |
| C042 | Frequency arrival setting for accel. | 0.00 | 0.00 | 0.00 | |
| C043 | Arrival frequency setting for decel. | 0.00 | 0.00 | 0.00 | |
| C044 | PID deviation level setting | 3.0 | 3.0 | 3.0 | |
| C045 | Frequency arrival setting for acceleration (2) | 0.00 | 0.00 | 0.00 | |
| C046 | Frequency arrival setting for deceleration (2) | 0.00 | 0.00 | 0.00 | |
| C055 | Over-torque (forward-driving) level setting | 100. | 100. | 100. | |
| C056 | Over-torque (reverse regenerating) level setting | 100. | 100. | 100. | |
| C057 | Over-torque (reverse driving) level setting | 100. | 100. | 100. | |
| C058 | Over-torque (forward regenerating) level setting | 100. | 100. | 100. | |
| C061 | Electronic thermal warning level setting | 80. | 80. | 80. | |
| C062 | Alarm code output | 00 | 00 | 00 | |
| C063 | Zero speed detection level | 0.00 | 0.00 | 0.00 | |
| C070 | Data command method | 02 | 02 | 02 | |
| C071 | Communication speed selection | 04 | 04 | 04 | |
| C072 | Node allocation | 1. | 1. | 1. | |
| C073 | Communication data length selection | 7 | 7 | 7 | |
| C074 | Communication parity selection | 00 | 00 | 00 | |
| C075 | Communication stop bit selection | 1 | 1 | 1 | |
| C078 | Communication wait time | 0. | 0. | 0. | |
| C081 | [O] input span calibration | Factory set | Factory set | Factory set | |

| “C” Group Parameters | | Default Setting | | | User Setting |
|----------------------|-------------------------------|---------------------------------------|---------------------------------------|---------------------------------------|--------------|
| Func. Code | Name | -FE (Europe) | -FU (U.S.) | -FR (Japan) | |
| C082 | [OI] input span calibration | Factory set | Factory set | Factory set | |
| C083 | [O2] input span calibration | Factory set | Factory set | Factory set | |
| C085 | Thermistor input tuning | 105.0 | 105.0 | 105.0 | |
| C086 | [AM] terminal offset tuning | 0.0 | 0.0 | 0.0 | |
| C087 | [AMI] terminal meter tuning | 80. | 80. | 80. | |
| C088 | [AMI] terminal offset tuning | Factory set | Factory set | Factory set | |
| C091 | Debug mode enable | 00 | 00 | 00 | Do not edit |
| C101 | Up/Down memory mode selection | 00 | 00 | 00 | |
| C102 | Reset mode selection | 00 | 00 | 00 | |
| C103 | Restart mode after reset | 00 | 00 | 00 | |
| C111 | Overload setting (2) | Rated current for each inverter model | Rated current for each inverter model | Rated current for each inverter model | |
| C121 | [O] input zero calibration | Factory set | Factory set | Factory set | |
| C122 | [OI] input zero calibration | Factory set | Factory set | Factory set | |
| C123 | [O2] input zero calibration | Factory set | Factory set | Factory set | |

Motor Constants Functions

| “H” Group Parameters | | Default Setting | | | User Setting |
|----------------------|---|------------------------------|------------------------------|------------------------------|--------------|
| Func. Code | Name | -FE (Europe) | -FU (U.S.) | -FR (Japan) | |
| H001 | Auto-tuning Setting | 00 | 00 | 00 | |
| H002 | Motor data selection, 1st motor | 00 | 00 | 00 | |
| H202 | Motor data selection, 2nd motor | 00 | 00 | 00 | |
| H003 | Motor capacity, 1st motor | Factory set | Factory set | Factory set | |
| H203 | Motor capacity, 2nd setting | Factory set | Factory set | Factory set | |
| H004 | Motor poles setting, 1st motor | 4 | 4 | 4 | |
| H204 | Motor poles setting, 2nd motor | 4 | 4 | 4 | |
| H005 | Motor speed constant, 1st motor | 1.590 | 1.590 | 1.590 | |
| H205 | Motor speed constant, 2nd motor | 1.590 | 1.590 | 1.590 | |
| H006 | Motor stabilization constant, 1st motor | 100. | 100. | 100. | |
| H206 | Motor stabilization constant, 2nd motor | 100. | 100. | 100. | |
| H306 | Motor stabilization constant, 3rd motor | 100. | 100. | 100. | |
| H20 | Motor constant R1, 1st motor | According to inverter rating | According to inverter rating | According to inverter rating | |
| H220 | Motor constant R1, 2nd motor | According to inverter rating | According to inverter rating | According to inverter rating | |
| H021 | Motor constant R2, 1st motor | According to inverter rating | According to inverter rating | According to inverter rating | |
| H221 | Motor constant R2, 2nd motor | According to inverter rating | According to inverter rating | According to inverter rating | |
| H022 | Motor constant L, 1st motor | According to inverter rating | According to inverter rating | According to inverter rating | |
| H222 | Motor constant L, 2nd motor | According to inverter rating | According to inverter rating | According to inverter rating | |
| H023 | Motor constant Io | According to inverter rating | According to inverter rating | According to inverter rating | |
| H223 | Motor constant Io, 2nd motor | According to inverter rating | According to inverter rating | According to inverter rating | |
| H024 | Motor Constant J | According to inverter rating | According to inverter rating | According to inverter rating | |
| H224 | Motor constant J, 2nd motor | According to inverter rating | According to inverter rating | According to inverter rating | |
| H030 | Auto constant R1, 1st motor | According to inverter rating | According to inverter rating | According to inverter rating | |
| H230 | Auto constant R1, 2nd motor | According to inverter rating | According to inverter rating | According to inverter rating | |

| “H” Group Parameters | | Default Setting | | | User Setting |
|----------------------|---|------------------------------|------------------------------|------------------------------|--------------|
| Func. Code | Name | -FE (Europe) | -FU (U.S.) | -FR (Japan) | |
| H031 | Auto constant R2, 1st motor | According to inverter rating | According to inverter rating | According to inverter rating | |
| H231 | Auto constant R2, 2nd motor | According to inverter rating | According to inverter rating | According to inverter rating | |
| H032 | Auto constant L, 1st motor | According to inverter rating | According to inverter rating | According to inverter rating | |
| H232 | Auto constant L, 2nd motor | According to inverter rating | According to inverter rating | According to inverter rating | |
| H033 | Auto constant Io, 1st motor | According to inverter rating | According to inverter rating | According to inverter rating | |
| H233 | Auto constant Io, 2nd motor | According to inverter rating | According to inverter rating | According to inverter rating | |
| H034 | Auto constant J, 1st motor | According to inverter rating | According to inverter rating | According to inverter rating | |
| H234 | Auto constant J, 2nd motor | According to inverter rating | According to inverter rating | According to inverter rating | |
| H050 | PI proportional gain for 1st motor | 100.0 | 100.0 | 100.0 | |
| H250 | PI proportional gain for 2nd motor | 100.0 | 100.0 | 100.0 | |
| H051 | PI integral gain for 1st motor | 100.0 | 100.0 | 100.0 | |
| H251 | PI integral gain for 2nd motor | 100.0 | 100.0 | 100.0 | |
| H052 | P proportional gain setting for 1st motor | 1.00 | 1.00 | 1.00 | |
| H252 | P proportional gain setting for 2nd motor | 1.00 | 1.00 | 1.00 | |
| H060 | Zero LV limit for 1st motor | 100. | 100. | 100. | |
| H260 | Zero LV limit for 2nd motor | 100. | 100. | 100. | |
| H070 | Terminal selection PI proportional gain setting | 100.0 | 100.0 | 100.0 | |
| H071 | Terminal selection PI integral gain setting | 100.0 | 100.0 | 100.0 | |
| H072 | Terminal selection P proportional gain setting | 1.00 | 1.00 | 1.00 | |

Expansion Card Functions

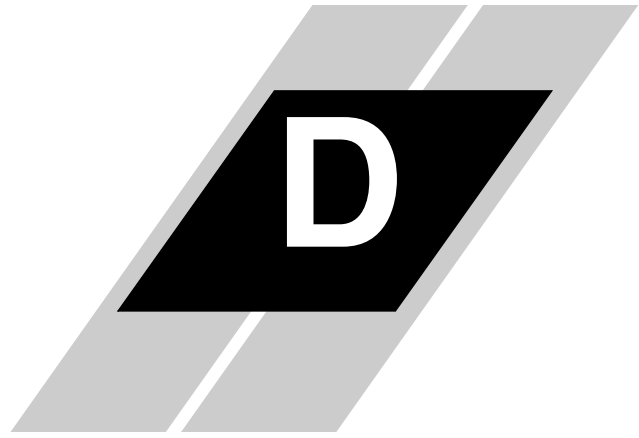
| “P” Group Parameters | | Default Setting | | | User Setting |
|----------------------|---|-----------------|------------|-------------|--------------|
| Func. Code | Name | -FE (Europe) | -FU (U.S.) | -FR (Japan) | |
| P001 | Operation mode on expansion card 1 error | 00 | 00 | 00 | |
| P002 | Operation mode on expansion card 2 error | 00 | 00 | 00 | |
| P010 | Feedback option enable | 00 | 00 | 00 | |
| P011 | Encoder pulse-per-revolution (PPR) setting | 1024 | 1024 | 1024 | |
| P012 | Control pulse setting | 00 | 00 | 00 | |
| P013 | Pulse line mode setting | 00 | 00 | 00 | |
| P014 | Home search stop position setting | 0. | 0. | 0. | |
| P015 | Home search speed setting | 5.00 | 5.00 | 5.00 | |
| P016 | Home search direction setting | 00 | 00 | 00 | |
| P017 | Home search completion range setting | 5 | 5 | 5 | |
| P018 | Home search completion delay time setting | 0.00 | 0.00 | 0.00 | |
| P019 | Electronic gear set position selection | 00 | 00 | 00 | |
| P020 | Electronic gear ratio numerator setting | 1. | 1. | 1. | |
| P021 | Electronic gear ratio denominator setting | 1. | 1. | 1. | |
| P022 | Feed-forward gain setting | 0.00 | 0.00 | 0.00 | |
| P023 | Position loop gain setting | 0.50 | 0.50 | 0.50 | |
| P025 | Temperature compensation thermistor enable | 00 | 00 | 00 | |
| P026 | Over-speed error detection level setting | 135.0 | 135.0 | 135.0 | |
| P027 | Speed deviation error detection level setting | 7.50 | 7.50 | 7.50 | |
| P031 | Accel/decel time input selection | 00 | 00 | 00 | |
| P032 | Positioning command input selection | 00 | 00 | 00 | |
| P044 | DeviceNet comm watchdog timer | 01 | 01 | 01 | |
| P045 | Inverter action on DeviceNet comm error | 21 | 21 | 21 | |
| P046 | DeviceNet polled I/O: Output instance number | 71 | 71 | 71 | |

| “P” Group Parameters | | Default Setting | | | User Setting |
|----------------------|---|-----------------|------------|-------------|--------------|
| Func. Code | Name | -FE (Europe) | -FU (U.S.) | -FR (Japan) | |
| P047 | DeviceNet polled I/O: Input instance number | 01 | 01 | 01 | |
| P048 | Inverter action on DeviceNet idle mode | 0 | 0 | 0 | |
| P049 | Motor poles setting for RPM | 01 | 01 | 01 | |

User-selectable Menu Functions

| “P” Group Parameters | | Default Setting | | | User Setting |
|----------------------|---|-----------------|------------|-------------|--------------|
| Func. Code | Name | -FE (Europe) | -FU (U.S.) | -FR (Japan) | |
| U001 | User-selected function... “no” = disabled, or use any of the functions D001 to P049 | no | no | no | |
| U002 | | no | no | no | |
| U003 | | no | no | no | |
| U004 | | no | no | no | |
| U005 | | no | no | no | |
| U006 | | no | no | no | |
| U007 | | no | no | no | |
| U008 | | no | no | no | |
| U009 | | no | no | no | |
| U010 | | no | no | no | |
| U011 | | no | no | no | |
| U012 | | no | no | no | |

CE–EMC Installation Guidelines



| In This Appendix.... | page |
|--|-------------------|
| — CE–EMC Installation Guidelines | 2 |
| — Hitachi EMC Recommendations | 4 |

CE-EMC Installation Guidelines

You are required to satisfy the EMC directive (89/336/EEC) when using an SJ300 inverter in an EU country. To satisfy the EMC directive and to comply with standard, follow the guidelines in this section.

- 1. As user you must ensure that the HF (high frequency) impedance between adjustable frequency inverter, filter, and ground is as small as possible.**
 - Ensure that the connections are metallic and have the largest possible contact areas (zinc-plated mounting plates).
- 2. Avoid conductor loops that act like antennas, especially loops that encompass large areas.**
 - Avoid unnecessary conductor loops.
 - Avoid parallel arrangement of low-level signal wiring and power-carrying or noise-prone conductors.
- 3. Use shielded wiring for the motor cable and all analog and digital control lines.**
 - Allow the effective shield area of these lines to remain as large as possible; i.e., do not strip away the shield (screen) further away from the cable end than absolutely necessary.
 - With integrated systems (for example, when the adjustable frequency inverter is communicating with some type of supervisory controller or host computer in the same control cabinet and they are connected at the same PE-potential), connect the shields of the control lines to ground + PE (protective earth) at both ends. With distributed systems (for example the communicating supervisory controller or host computer is not in the same control cabinet and there is a distance between the systems), we recommend connecting the shield of the control lines only at the end connecting to the adjustable frequency inverter. If possible, route the other end of the control lines directly to the cable entry section of the supervisory controller or host computer. The shield conductor of the motor cables always must be connected to PE at both ends.
 - To achieve a large area contact between shield and PE-potential, use a PG screw with a metallic shell, or use a metallic mounting clip.
 - Use only cable with braided, tinned copper mesh shield (type “CY”) with 85% coverage.
 - The shielding continuity should not be broken at any point in the cable. If the use of reactors, contactors, terminals, or safety switches in the motor output is necessary, the unshielded section should be kept as short as possible.
 - Some motors have a rubber gasket between terminal box and motor housing. Very often, the terminal boxes, and particularly the threads for the metal PG screw connections, are painted. Make sure there is always a good metallic connection between the shielding of the motor cable, the metal PG screw connection, the terminal box, and the motor housing. If necessary, carefully remove paint between conducting surfaces.
- 4. Take measures to minimize interference that is frequently coupled in through installation cables.**
 - Separate interfering cables with 0.25m minimum from cables susceptible to interference. A particularly critical point is laying parallel cables over longer distances. If two cables intersect (one crosses over the other), the interference is smallest if they intersect at an angle of 90°. Cables susceptible to interference should therefore only intersect motor cables, intermediate circuit cables, or the wiring of a rheostat at right angles and never be laid parallel to them over longer distances.
- 5. Minimize the distance between an interference source and an interference sink (interference-threatened device), thereby decreasing the effect of the emitted interference on the interference sink.**
 - You should use only interference-free devices and maintain a minimum distance of 0.25 m from the adjustable frequency inverter.

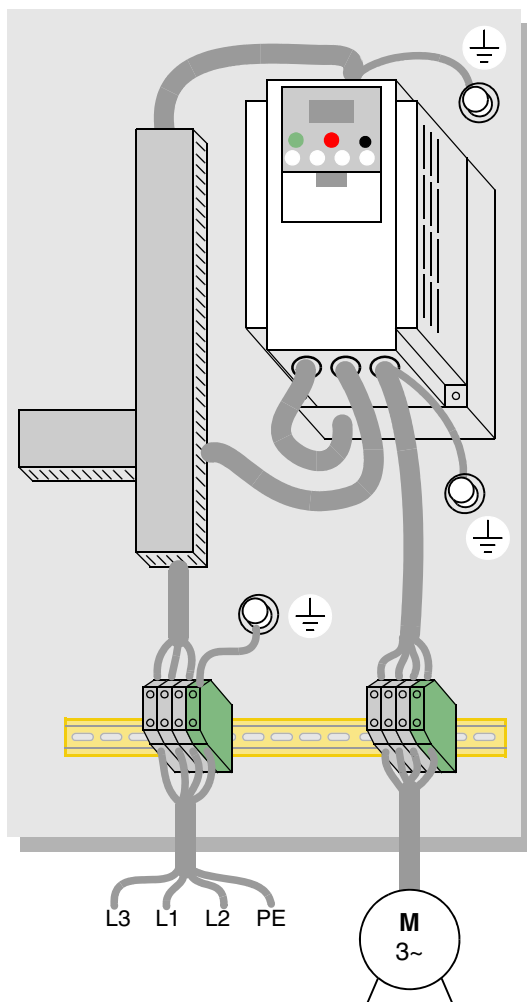
6. Follow safety measures in the filter installation.

- Ensure that the protective earth terminal (PE) of the filter is properly connected to the PE terminal of the adjustable frequency inverter. An **HF ground connection** via metal contact between the housings of the filter and the adjustable frequency inverter, or solely via cable shield, *is not permitted as a protective conductor connection*. The filter must be *solidly and permanently connected with the ground potential* so as to preclude the danger of electric shock upon touching the filter if a fault occurs.

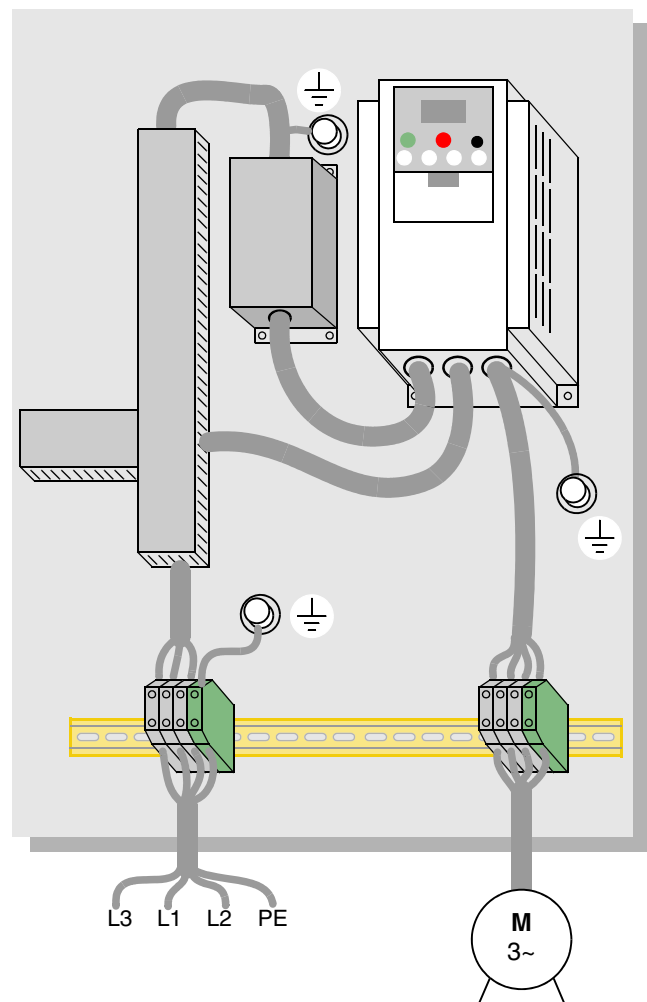
To achieve a protective ground connection for the filter:

- Ground the filter with a conductor of at least 10 mm² cross-sectional area.
- Connect a second grounding conductor, using a separate grounding terminal parallel to the protective conductor. (The cross section of each single protective conductor terminal must be sized for the required nominal load.)

SJ300 inverter with footprint-type filter



SJ300 inverter with book-type filter



Hitachi EMC Recommendations

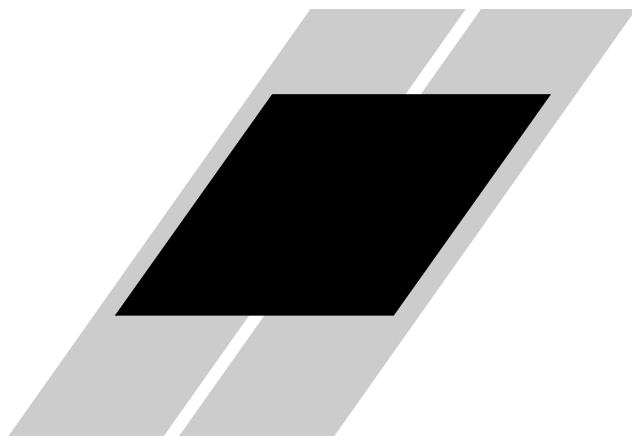


WARNING: This equipment should be installed, adjusted, and serviced by qualified personal familiar with construction and operation of the equipment and the hazards involved. Failure to observe this precaution could result in bodily injury.

Use the following checklist to ensure the inverter is within proper operating ranges and conditions.

1. The power supply to SJ300 inverters must meet these specifications:
 - Voltage fluctuation +/- 10% or less
 - Voltage imbalance +/- 3% or less
 - Frequency variation +/- 4% or less
 - Voltage distortion THD = 10% or less
2. Installation measure:
 - Use a filter designed for SJ300 inverter.
3. Wiring:
 - Shielded wire (screened cable) is required for motor wiring, and the length must be less than 50 meters.
 - The carrier frequency setting must be less than 5 kHz to satisfy EMC requirements.
 - Separate the power input and motor wiring from the signal/process circuit wiring.
4. Environmental conditions—when using a filter, follow these guidelines:
 - Ambient temperature: -10 to 40 °C
 - Humidity: 20 to 90% RH (non-condensing)
 - Vibration: 5.9 m/sec^2 (0.6 G) 10 ~ 55Hz, SJ300-004xxx to SJ300-220xxx
 2.94 m/sec^2 (0.3 G) 10 ~ 55Hz, SJ300-300xxx to SJ300-1500xxx
 - Location: 1000 meters or less altitude, indoors (no corrosive gas or dust)

Index



A

A Group functions [3-9](#)
AC reactors [5-3](#)
Acceleration [1-15](#), [3-8](#)
 characteristic curves [3-26](#)
 second function [3-24](#)
 two-stage [4-19](#)
Acceleration stop function [3-21](#)
Access levels [3-5](#), [3-36](#), [4-25](#)
Access to terminals [2-2](#)
Accessories [5-2](#)
Adaptive auto-tuning [4-69](#)
Alarm signal [4-48](#)
Algorithms [3-62](#)
Algorithms, torque control [3-5](#)
Ambient temperature [2-7](#), [A-2](#)
Analog input settings [3-11](#), [3-28](#)
Analog inputs
 current/voltage select [4-26](#)
 operation [4-59](#)
 sampling filter [4-59](#)
 wiring examples [4-61](#)
Analog outputs
 FM type [4-63](#)
 operation [4-62](#)
 PWM type [4-62](#)
Analog signal calibration [3-60](#)
Anti-windmilling [3-18](#), [3-21](#)
Arrival frequency [A-2](#)
ASCII code table [B-18](#)
Automatic restart [3-29](#)
Automatic voltage regulation [3-23](#)
Auto-tuning [4-67](#), [A-2](#)
 adaptive [4-69](#)
 procedure [4-68](#)
Auto-tuning constants [3-62](#)
AVR [3-23](#)

B

B Group functions [3-29](#)
Base frequency [2-26](#), [A-2](#)
Bibliography [A-6](#)
Block check code [B-18](#)

Brake control, external [3-46](#), [4-39](#), [4-58](#)
Braking [1-15](#)
 dynamic [5-6](#)
Braking resistor [2-5](#), [A-2](#)
Braking resistor selection [5-7](#), [5-9](#)
Braking unit [2-5](#)
Braking unit selection [5-8](#)
Braking, dynamic [1-18](#)
Break-away torque [A-2](#)

C

C Group functions [3-47](#)
Capacitor life curve [6-12](#)
Capacitor replacement [6-13](#)
Carrier frequency [3-41](#), [A-2](#)
Catching a spinning motor [3-43](#), [3-61](#)
CE approval [A-2](#)
CE-EMC guidelines [D-2](#)
Chassis ground connection [2-20](#)
Choke [2-5](#), [A-2](#)
Choke, DC link [5-4](#)
Chopper frequency [3-41](#)
Circuit breaker sizes [xiv](#)
Clearance [2-7](#)
Coasting [3-43](#), [3-61](#)
Commercial power source switching [4-23](#)
Communication test mode [B-19](#)
Communications [3-59](#)
Communications protocol [B-5](#)
Communications, serial [B-2](#)
Constant torque [3-14](#)
Constant volts/hertz operation [1-13](#)
Control algorithms [3-14](#)
Control gain switching [4-31](#)
Controlled deceleration [3-40](#)
Controlled deceleration at power loss [4-4](#)
Cooling fan control [3-44](#)
Copy Unit [1-3](#)
Current overload [3-34](#)
Current overload restriction [4-35](#)

D

- D Group parameters [3-6](#)
- DC braking [4-16](#), [4-17](#), [A-2](#)
 - derating [3-19](#)
 - settings [3-18](#)
- DC link [A-2](#)
 - choke [5-4](#)
- Deadband [A-2](#)
- Deceleration [1-15](#), [3-8](#), [4-16](#)
 - characteristic curves [3-26](#)
 - second function [3-24](#)
 - two-stage [4-19](#)
- Default parameter values [C-2](#)
- Default settings
 - restoring [6-9](#)
- Derating
 - DC braking [3-19](#)
- Derating curves [1-11](#)
- Derivative gain [3-22](#)
- DeviceNet [5-5](#)
- Digital operator [2-23](#), [3-3](#)
 - force operation [4-34](#)
 - removal [2-4](#)
- Digital operator panel [A-2](#)
- Digital operators [1-3](#)
- Dimensions
 - inverter [2-8](#)
 - terminals [2-16](#)
- Diode [A-3](#)
- Display restriction [3-37](#)
- Droop control [4-32](#)
- Duty cycle [A-3](#)
- Dynamic braking [5-6](#), [A-3](#)
 - usage ratio [3-44](#), [5-6](#)

E

- Editing parameters [2-23](#), [2-26](#)
 - in Run Mode [3-5](#), [3-36](#), [4-25](#)
- Electromagnetic compatibility [D-2](#)
- Electronic thermal overload [3-30](#)
- Elevator braking [3-46](#)
- EMC installation guidelines [D-2](#)
- EMC installation recommendations [D-4](#)
- EMI [A-3](#)
- EMI filter [5-4](#)
- Encoder feedback [3-16](#)
- Energy savings mode [3-23](#)
- Error
 - PID loop [4-47](#), [A-3](#)
- Error codes
 - programming [3-68](#)
 - trip events [6-5](#)
- Event clearing [4-27](#)

- Expansion bay [2-4](#)
- Expansion card functions [3-65](#)
- Expansion cards
 - digital input [5-5](#)
 - encoder feedback [5-5](#)
 - input signals [4-41](#)
 - output signals [4-58](#)
- External brake control [4-39](#), [4-58](#)
- External trip [4-21](#)

F

- F Group functions [3-8](#)
- Factory settings, restoring [6-9](#)
- Fan default setting [3-44](#)
- Fan outlet [2-7](#), [2-20](#)
- Fan replacement [6-14](#)
- Fan unit, Filler plate [1-4](#)
- FAQ [1-17](#)
- Features [1-2](#), [2-2](#)
- Ferrite core [5-4](#)
- Filters
 - noise suppression [5-2](#)
- Fine-tuning functions [3-29](#)
- Force operation from digital operator [4-34](#)
- Forward run command [4-12](#)
- Four-quadrant operation [A-3](#)
- Free-run stop [3-43](#), [3-61](#), [4-16](#), [4-20](#), [A-3](#)
- Frequency arrival signals [4-44](#)
- Frequency matching [3-43](#), [3-61](#)
- Frequency setting [A-3](#)
- Frequency-related functions [3-20](#)
- Frequently asked questions [1-17](#)
- Functions [1-15](#)
- Fuse ratings [2-14](#)
- Fuse sizes [xiv](#)
- Fuzzy logic accel/decel [3-23](#)

G

- Gain settings [4-31](#)
- Glossary of terms [A-2](#)
- Grommets [2-13](#)

H

- H Group parameters [3-62](#)
- Harmonics [A-3](#)
- History of trip events [3-7](#)
- Home search [A-4](#)
- Horsepower [A-3](#)

I

IGBT [1-13](#), [A-3](#)
 test method [6-17](#)
 Index of terminal functions [4-10](#)
 Inertia [A-3](#)
 Initialization [6-9](#)
 Input active range [3-28](#)
 Input circuits [4-11](#)
 Input terminals [2-18](#)
 Inspection
 electrical measurements [6-15](#)
 IGBT test method [6-17](#)
 measurement techniques [6-16](#)
 procedures [6-10](#)
 unpacking [2-2](#)
 Installation [2-6](#)
 Instantaneous power failure [4-51](#)
 Insulation test [6-11](#)
 Integral gain [3-22](#)
 Intelligent input terminals [3-47](#), [4-11](#)
 Intelligent input wiring examples [4-11](#)
 Intelligent output terminals [3-53](#), [4-42](#)
 Intelligent terminal functions [3-47](#)
 Intelligent terminal index [4-10](#)
 Intelligent terminals [A-3](#)
 Inverter [1-17](#)
 Inverter definition [A-3](#)
 Inverter specifications [1-6](#)
 Isolation transformer [A-4](#)

J

Jog command [4-16](#)
 Jog frequency settings [3-13](#)
 Jogging operation [A-4](#)
 Jump frequency [3-20](#), [A-4](#)

K

Keypad
 features [2-23](#), [3-3](#)
 navigation [2-25](#), [3-4](#)
 navigation, trip events [6-8](#)
 Keypad features [2-23](#)
 Keypads [1-3](#), [3-2](#)

L

LEDs [2-23](#), [3-3](#)
 Line reactor [A-4](#)
 Linear accel/decel [3-26](#)
 Logic connector [4-9](#)
 Logic terminals [3-47](#), [3-53](#)
 input wiring examples [4-11](#)

M

Main profile parameters [3-8](#)
 Maintenance procedures [6-10](#)
 Megger test [6-11](#)
 Model number convention [1-5](#)
 Momentum [A-4](#)
 Monitor mode [2-25](#), [2-29](#), [2-30](#), [3-4](#)
 Monitoring functions [3-6](#)
 Motor constants [3-62](#), [4-65](#)
 auto-tuning [4-67](#)
 manual setting of [4-70](#)
 Motor load [A-4](#)
 Motor poles [2-28](#)
 Motor selection [1-18](#)
 Motor wiring [2-20](#)
 Mounting location [2-6](#)
 Multiple motors
 configuration [4-72](#)
 Multi-speed operation [4-13](#), [A-4](#)
 Multi-speed profiles [1-15](#)
 Multi-speed settings [3-13](#)

N

Nameplate [1-5](#)
 Navigational map [2-25](#), [3-4](#)
 trip events [6-8](#)
 NEC [A-4](#)
 NEMA [A-4](#)
 NEMA compliance [2-13](#)
 NEMA rating [2-7](#)
 Noise filters [5-2](#)
 AC reactor [2-5](#)
 Noise suppression [1-18](#)

O

Open-collector outputs [4-42](#), [A-4](#)
 Operational modes [3-5](#)
 Operator interfaces [1-3](#)
 Optimal accel/decel [3-23](#)
 Optional components [2-5](#)
 Options [1-2](#)
 Orientation [A-4](#)
 Output circuits [4-42](#)
 Output deviation for PID control [4-47](#)
 Output frequency [3-8](#)
 Output overload [3-34](#)
 Output terminals [2-20](#)
 Over-current trip [3-29](#)
 Overload advance notice signal [4-46](#)
 Overload restriction [3-34](#), [4-35](#)
 Over-torque signal [4-50](#)

P

P Group functions [3-65](#)
 P/PI selection [4-31](#)
 Parameter editing [2-23](#), [2-26](#)
 Parameter settings tables [C-2](#)
 Parameters [1-15](#)
 Phase loss [3-29](#)
 PID loop [1-18](#), [A-4](#)
 clearing [4-30](#)
 error [A-3](#)
 ON/OFF [4-30](#)
 operation [4-71](#)
 output deviation [4-47](#)
 process variable [A-4](#)
 setpoint [A-5](#)
 settings [3-22](#)
 PLC, connecting to [4-7](#)
 Poles [1-18](#)
 Poles of motor [2-28](#)
 Potentiometer [2-27](#), [4-61](#)
 Power factor [A-4](#)
 Power failure [4-51](#)
 Power failure response [3-29](#)
 Power loss [4-4](#)
 Power loss response [3-40](#)
 Power source switching [4-23](#)
 Power-on time over signal [4-54](#)
 Powerup test [2-21](#)
 observations [2-30](#)
 Powerup, unattended start [4-22](#)
 Process variable [A-4](#)
 Program mode [2-25](#), [2-30](#), [3-4](#)
 Programming device [3-2](#)
 Programming error codes [3-68](#)
 Programming error monitoring [3-7](#)
 Proportional gain [3-22](#)
 Pulse-width modulation [4-62](#)
 PWM [A-4](#)

R

Ratings label [1-5](#)
 Reactance [A-5](#)
 Read/write copy unit [1-3](#), [3-2](#)
 Rectifier [A-5](#)
 Reduced torque [3-14](#)
 Regenerative braking [A-5](#)
 Regulation [A-5](#)
 Regulatory agency approvals [1-5](#)
 Relay alarm contacts [4-48](#)
 Remote control [4-33](#)
 Removable components [1-4](#)

Reset function [4-27](#)
 Reset Mode [3-61](#)
 Restart Mode [3-43](#), [3-61](#)
 Retention screws [2-4](#)
 Reverse run command [4-12](#)
 Reverse torque [A-5](#)
 Reverse U-shape accel/decel [3-26](#)
 Rotor [A-5](#)
 Run command [4-12](#)
 Run mode [2-30](#), [3-5](#)
 Run signal [4-43](#)
 Running the motor [2-29](#)
 Run-time edits [3-5](#), [3-36](#), [4-25](#)
 Run-time signal [4-54](#)

S

Safety messages [i](#)
 Saturation voltage [A-5](#)
 Second motor [4-18](#)
 Sensorless vector control [3-14](#), [3-16](#), [A-5](#)
 Serial communications [3-59](#), [B-2](#)
 Serial communications protocol [B-5](#)
 Set 2nd/3rd motors [4-18](#)
 Setpoint [A-5](#)
 Sigmoid accel/decel [3-26](#)
 Single-phase power [A-5](#)
 Sinking I/O [4-7](#)
 Slip [A-5](#)
 Software lock [3-5](#), [3-36](#), [4-25](#)
 Sourcing I/O [4-7](#)
 Spare parts [6-12](#)
 Specifications
 derating curves [1-11](#)
 general [1-9](#)
 logic signals [4-9](#)
 Speed control [1-13](#), [1-15](#), [4-13](#)
 Speed loop gains [4-31](#)
 Speed pot [2-27](#)
 Squirrel cage [A-5](#)
 Standard functions [3-9](#)
 Start frequency [A-5](#)
 Stator [A-5](#)
 Stop command [4-12](#)
 Stop Mode [3-43](#)
 Supply wiring [2-18](#)
 Switching frequency [3-41](#)
 Symbol definitions [i](#)
 System description [2-5](#)

T

Tachometer [A-5](#)
 Technical support [1-xviii](#)
 Term definitions [A-2](#)
 Terminal block [1-4](#)
 Terminal listing [4-10](#)
 Thermal overload [3-30](#)
 Thermal protection [4-28](#)
 Thermal switch [A-6](#)
 Thermal warning [4-55](#)
 Thermistor [A-6](#)
 Thermistor input [4-28](#)
 Third motor [4-18](#)
 Three-phase power [A-6](#)
 motor phase connections [1-14](#)
 Three-wire interface [4-29](#)
 Torque [1-13](#)
 Torque boost [3-16](#)
 Torque control algorithms [3-5](#), [3-14](#), [3-62](#)
 tuning [4-65](#)
 Torque limit [4-37](#)
 Torque limit signal [4-54](#)
 Torque specs, terminals [2-16](#)
 Torque, definition [A-6](#)
 Transistor [A-6](#)
 Trip events [3-7](#)
 clearing [6-5](#)
 definition [A-6](#)
 error codes [6-5](#)
 external [4-21](#)
 history [6-8](#)
 monitoring [6-5](#)
 Trip history [6-8](#)
 Trip mode [4-27](#)
 Troubleshooting tips [6-3](#)
 Two-stage accel/decel [4-19](#)

U

U Group functions [3-67](#)
 UL instructions [xii](#)
 Unattended start protection [4-22](#)
 Under-voltage signal [4-51](#)
 Under-voltage trip [3-29](#)
 Unpacking [2-2](#)
 Up/Down functions [4-33](#)
 User-selectable menu functions [3-67](#)
 U-shape accel/decel [3-26](#)

V

V/f control [3-14](#)
 V/f control setting [3-45](#)
 V/f free-setting [3-15](#)
 Variable torque [3-14](#)
 Variable-frequency drives
 introduction [1-13](#)
 Velocity profile [1-15](#)
 Ventilation [2-7](#), [2-20](#)

W

Warnings
 operating procedures [4-3](#)
 Warranty [6-18](#)
 Watt loss [A-6](#)
 Windmilling [3-18](#), [3-21](#)
 Wiring
 analog inputs [4-61](#)
 gauge [2-14](#)
 intelligent input wiring examples [4-11](#)
 logic [2-20](#)
 logic connector [4-9](#)
 output [2-20](#)
 power input [2-18](#)
 preparation [2-13](#)
 serial communications [B-3](#)
 system diagram [4-8](#)

Z

Zero-phase reactor [5-4](#)

