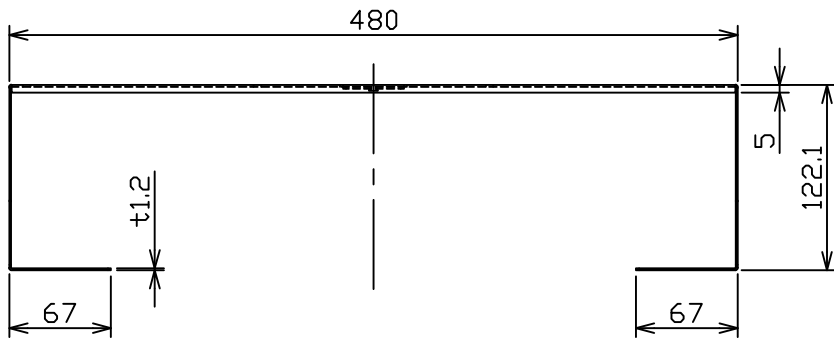
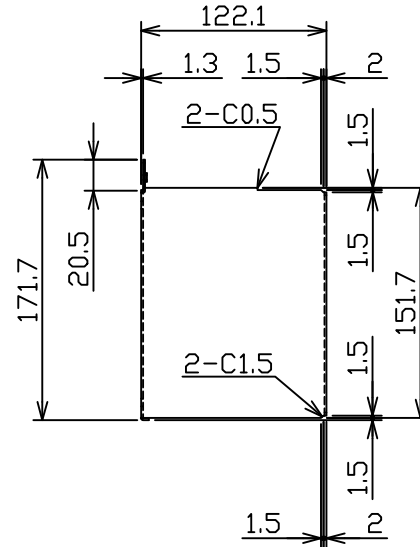
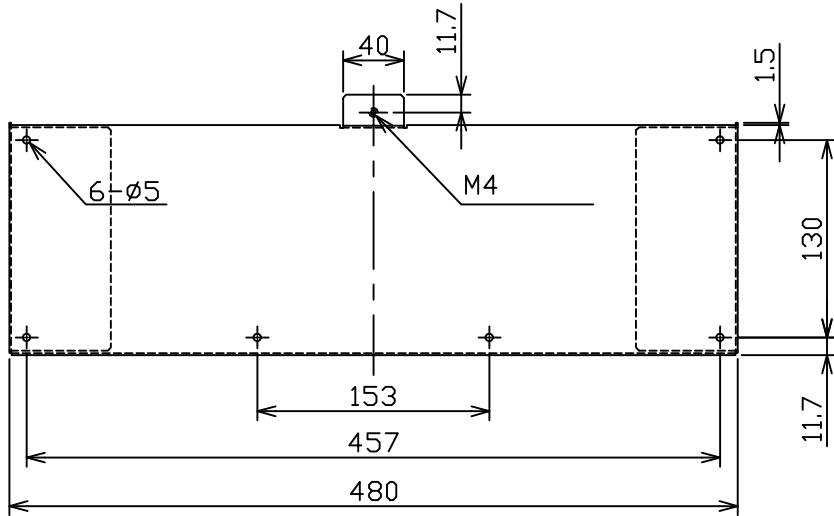


INVERTER MODEL LIST

ITEM NO.	MODEL NUMBER
1	3T603064
2	



PROPRIETARY AND CONFIDENTIAL

THE INFORMATION CONTAINED IN THIS DRAWING IS THE SOLE PROPERTY OF HIESA. ANY REPRODUCTION IN PART OR AS A WHOLE WITHOUT THE WRITTEN PERMISSION OF HIESA IS PROHIBITED.

UNLESS OTHERWISE SPECIFIED		NAME	DATE	HITACHI INDUSTRIAL EQUIPMENT & SOLUTIONS AMERICA LLC TITLE: 3T603064 PART 2 OF 2 P1-CB-F,H	
DIMENSIONS ARE IN MM/INCHES		DRAWN	DBM		23JAN19
GENERAL TOLERANCES ACCORDING TO ISO 2768-MF-E		UPDATED	MIG		18JAN22
		ENG APPR.			
		MFG APPR.			
INTERPRET GEOMETRIC TOLERANCING PER:		Q.A.			
MATERIAL		COMMENTS:		SIZE DWG. NO. REV A	
FINISH					
		SCALE:	WEIGHT:	SHEET 1 OF 1	