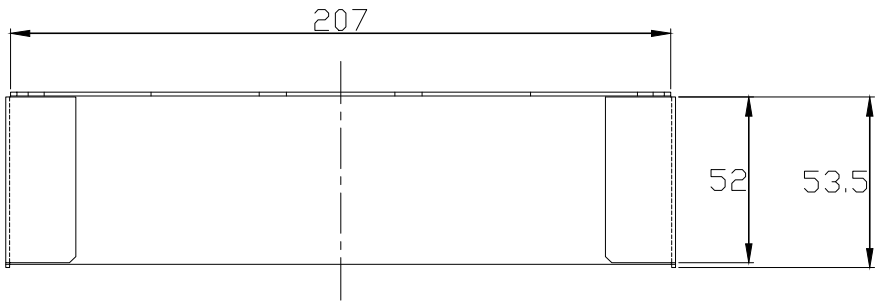
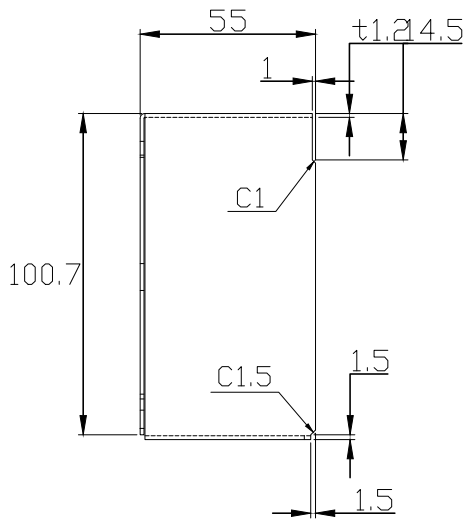
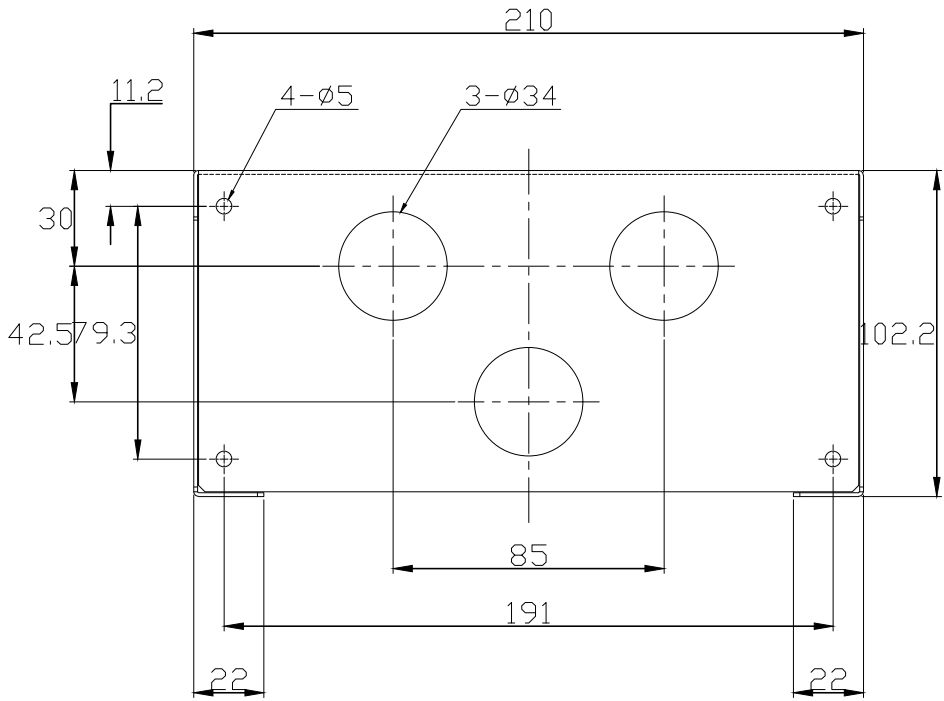


INVERTER MODEL LIST	
ITEM NO.	MODEL NUMBER
1	3T603056
2	



**PROPRIETARY AND CONFIDENTIAL**

THE INFORMATION CONTAINED IN THIS DRAWING IS THE SOLE PROPERTY OF HIESA. ANY REPRODUCTION IN PART OR AS A WHOLE WITHOUT THE WRITTEN PERMISSION OF HIESA IS PROHIBITED.

UNLESS OTHERWISE SPECIFIED: DIMENSIONS ARE IN MM/INCHES GENERAL TOLERANCES ACCORDING TO ISO 2768-MH-E	DRAWN	NAME	DATE	HITACHI INDUSTRIAL EQUIPMENT & SOLUTIONS AMERICA LLC
	UPDATED	DBM	23 JAN 19	
	ENG APPR.	MIG	17 JAN 22	
	MFG APPR.			
INTERPRET GEOMETRIC TOLERANCING PER:	Q.A.	TITLE: 3T603056 PART 2 OF 2 P1-CB-B		
MATERIAL	COMMENTS:			
FINISH				
SCALE:		DWG. NO.	REV	
WEIGHT:		SHEET 1 OF 1		A