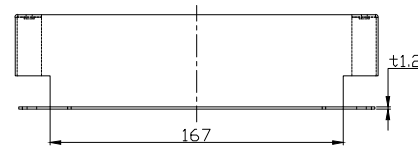
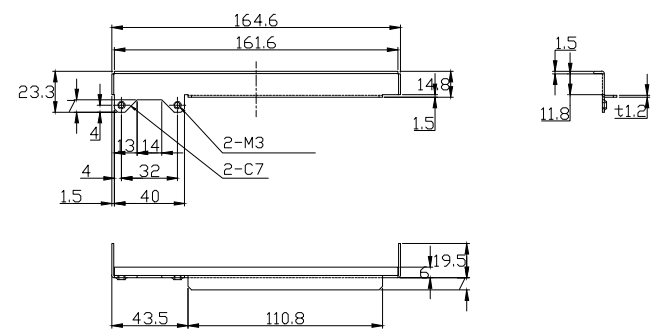
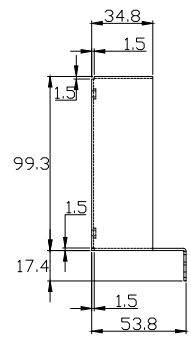
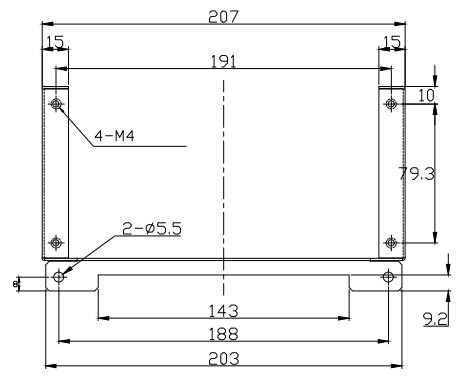
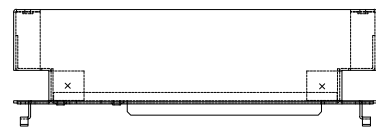
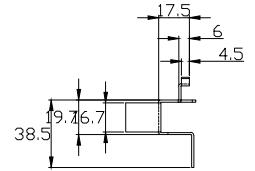
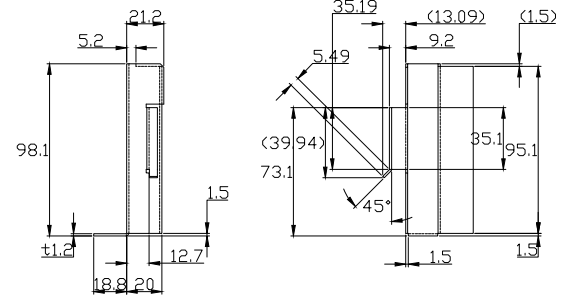
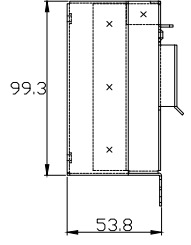
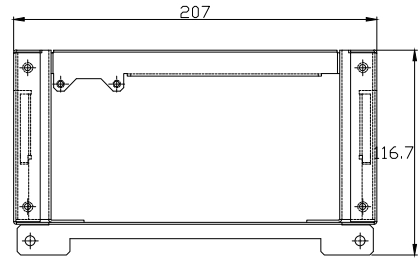


# INVERTER MODEL LIST

ITEM NO.	MODEL NUMBER
1	2T600631
2	

**PROPRIETARY AND CONFIDENTIAL**

THE INFORMATION CONTAINED IN THIS DRAWING IS THE SOLE PROPERTY OF HIESA. ANY REPRODUCTION IN PART OR AS A WHOLE WITHOUT THE WRITTEN PERMISSION OF HIESA IS PROHIBITED.



UNLESS OTHERWISE SPECIFIED DIMENSIONS ARE IN MM/INCHES GENERAL TOLERANCES ACCORDING TO ISO 2768-MH-E	DRAWN	DBM	23JAN19	HITACHI INDUSTRIAL EQUIPMENT & SOLUTIONS AMERICA LLC	
	UPDATED	MIG	17JAN22		
	ENG APPR.				
	MFG APPR.				
INTERPRET GEOMETRIC TOLERANCING PER:	Q.A.			TITLE: 2T600631 PART 1 OF 2 P1-CB-B	
MATERIAL	COMMENTS:				
FINISH					
				SIZE DWG. NO.	REV A
SCALE:		WEIGHT:	SHEET 1 OF 1		