

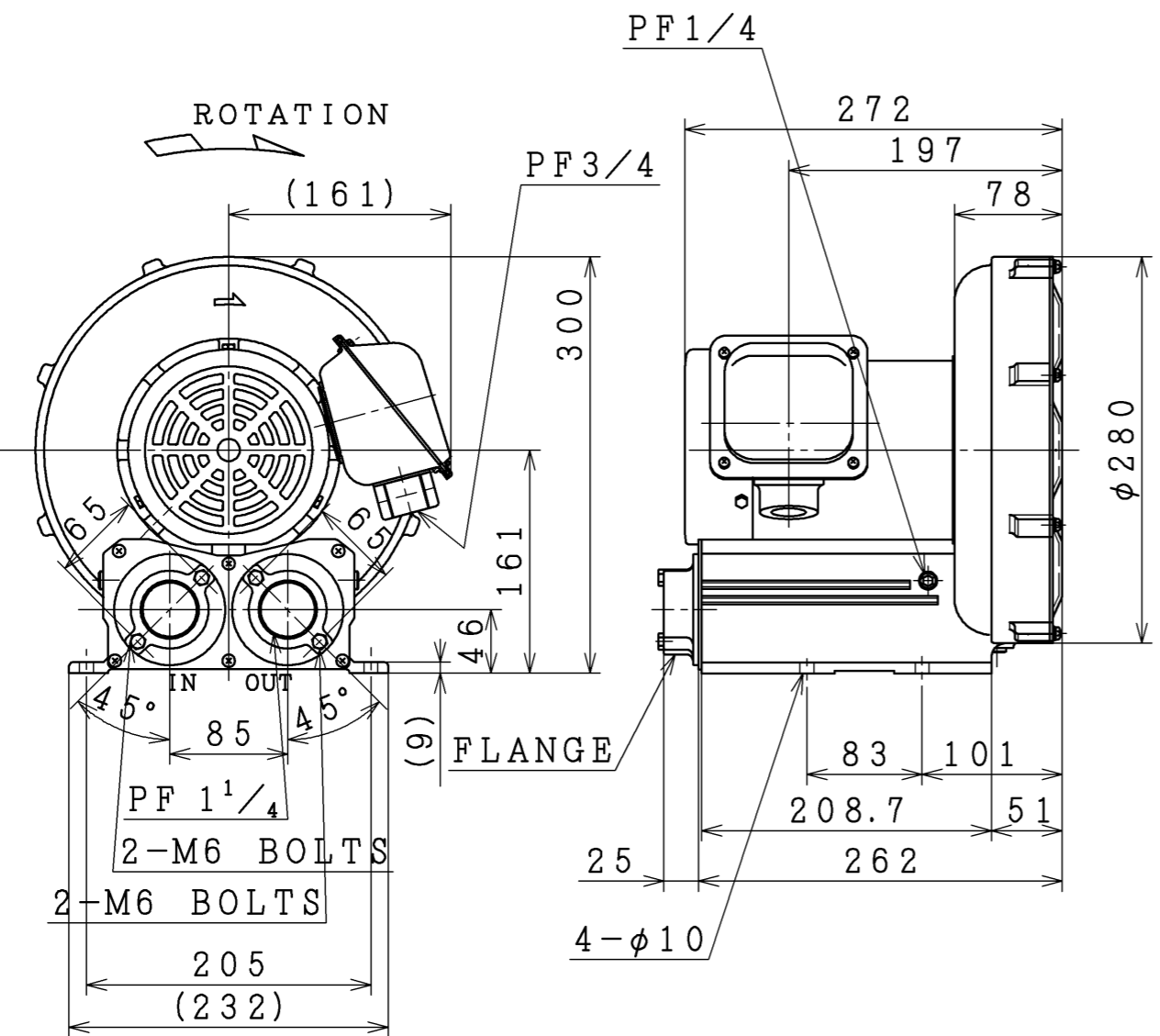
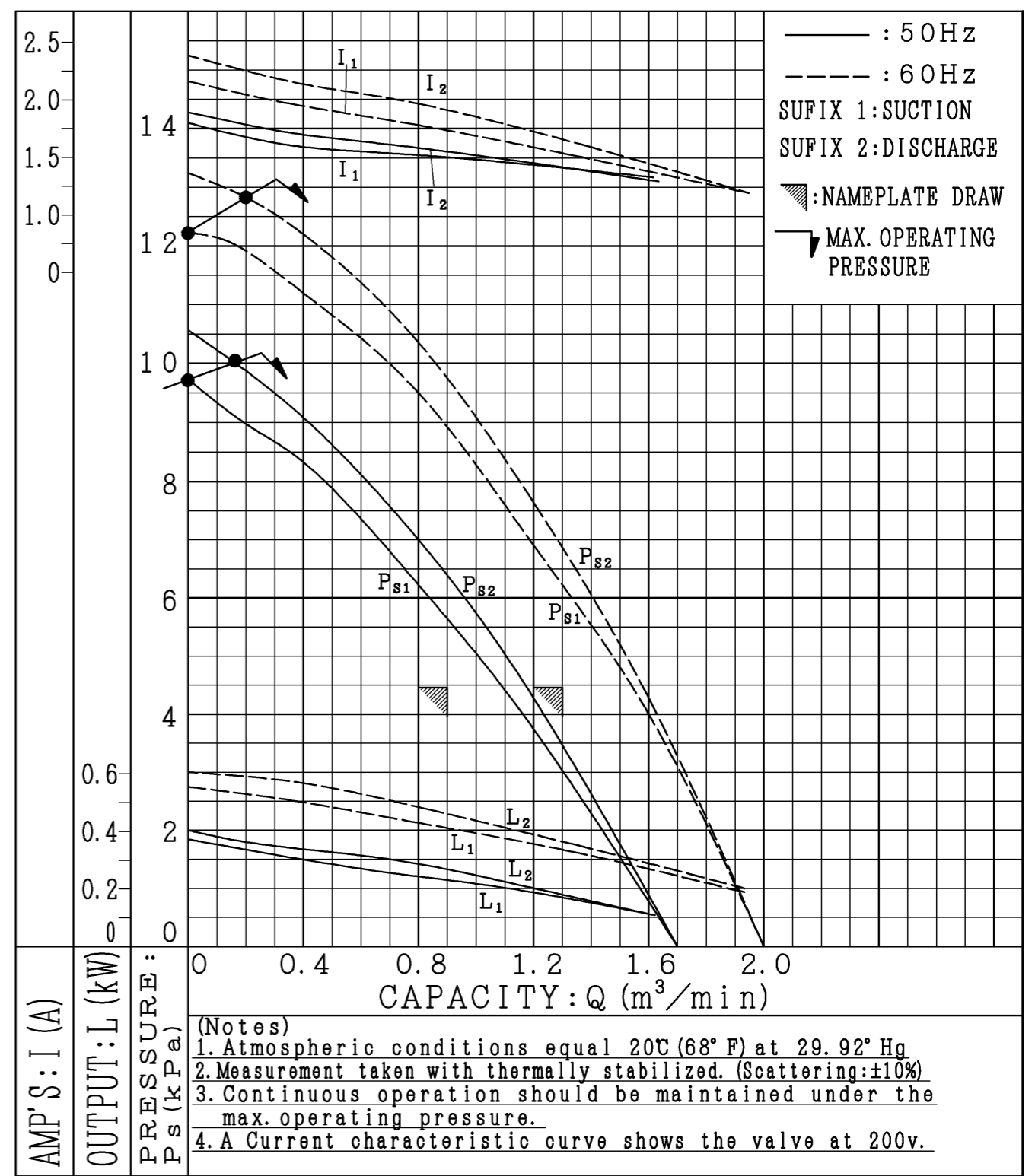
DIMENSIONS (UNIT mm)

MODEL No. : VB-004-E3

CYCLES (Hz)		50	60	PHASE	3
CAPACITY (m ³ /min)		0.9	1.3	POLES	2
PRESSURE (kPa)		4.4	4.4	VOLTAGE (V)	200/200-220
SUCTION	MAX. OUTPUT (kW)	0.35	0.53	WEIGHT (kg)	17.5
	MAX. AMP'S (A)	1.8	2.2	INSULATION	E
	MAX. OPERATING PRESSURE (kPa)	9.7	12.3		
DISCHARGE	MAX. OUTPUT (kW)	0.38	0.56		
	MAX. AMP'S (A)	1.9	2.3		
	MAX. OPERATING PRESSURE (kPa)	10.2	12.7		
SHIELD-BALL BEARINGS		6204ZZ / 6203ZZ			
PAINTING COLOR		MUNSEL 8.9Y 5.1/0.3			

(NOTES) NAME PLATE P PRESSURE UNIT : kPa

CHARACTERISTIC CURVES



用途 USE _____ 付属品 ACCESSORY _____

備考 NOTICE

御注文主 CUSTOMER	数量 QTY.	受注番号 ORDER No.	作業番号 WORK No.	REV.
	殿			

REGD 2012.07.26 | DWN. T. Ito | Jul-26-2012 | 寸法図 DIMENSIONS | Hitachi Industrial Equipment Systems Co., Ltd. | NARASHINO WORKS DWG. No. 3243F803337 | SH.

APPD. K. Okada | Jul-26-2012

種番 FRAME SIZE