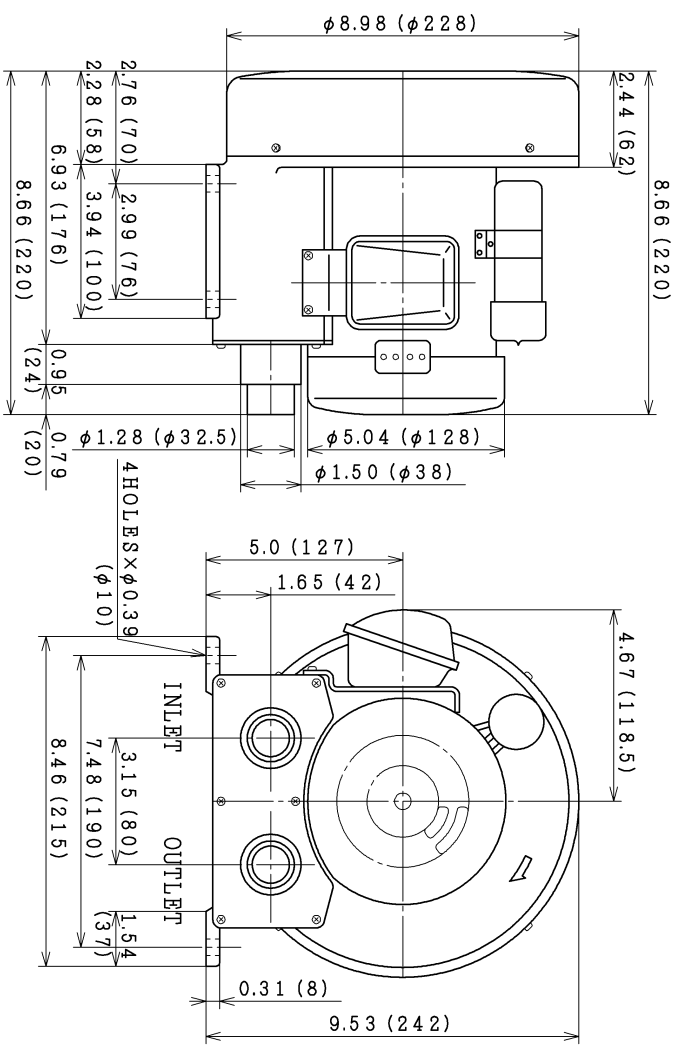


VORTEX BLOWER

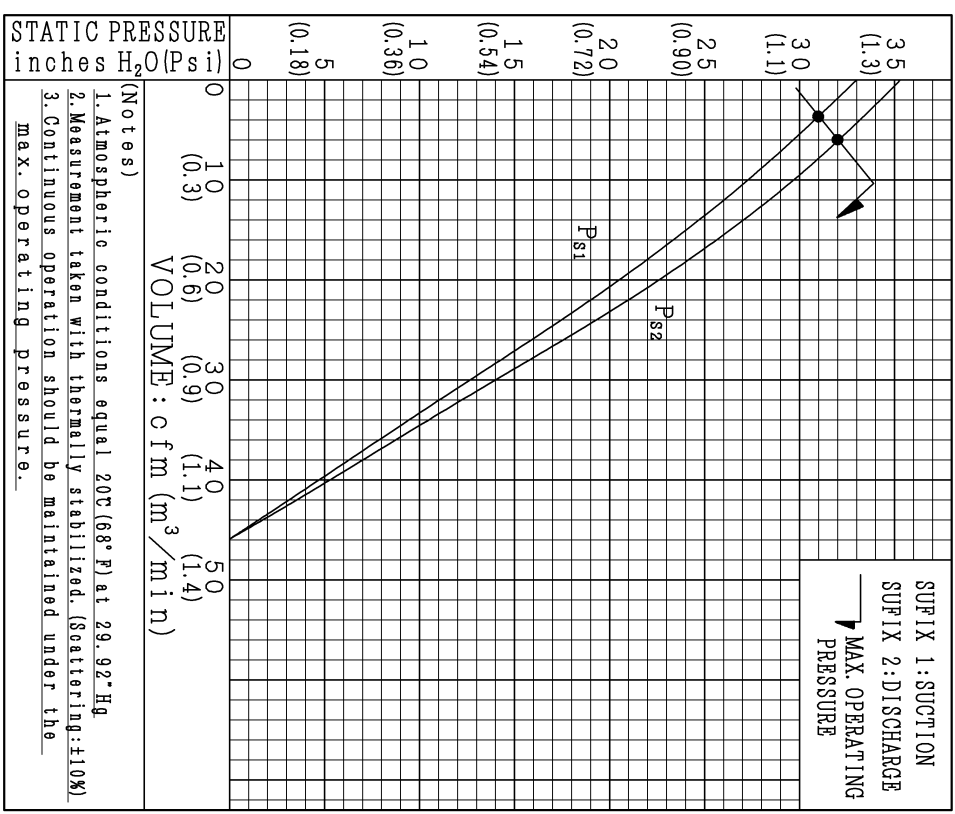
DIMENSIONS
 MODEL No. : VB-002SE-U

CHARACTERISTIC CURVES

FREQUENCY (Hz)	60	PHASE	1
MAXIMUM VOLUME (cfm) (m ³ /min)	46.0 (1.3)	POLES	2
MAX. OPERATING DISCHARGE (*H ₂ O) (Psi)	32.0 (1.2)	STANDARD VOLTAGE (V)	115/230
MAX. OPERATING VACUUM (*H ₂ O) (Psi)	31.0 (1.1)	INSULATION CLASS	B
		WEIGHT (LBS) (kg)	18.7 (8.5)
		OUTPUT (VACUUM) (HP/kW)	0.25/0.185



Unit: inches (millimeters)



USE	Indoor installation	ACCESSORY	
NOTICE			
CUSTOMER	DIMENSIONS	Hitachi Industrial Equipment Systems Co., Ltd.	NARASHINO WORKS DWG. No. 3243F802676
REV.	REV.	REV.	REV.
2	2		